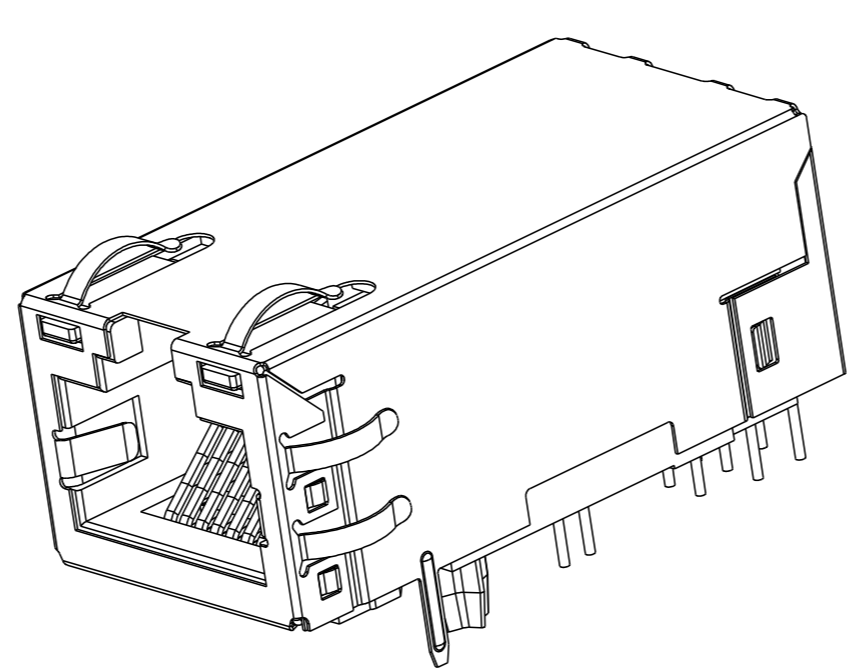
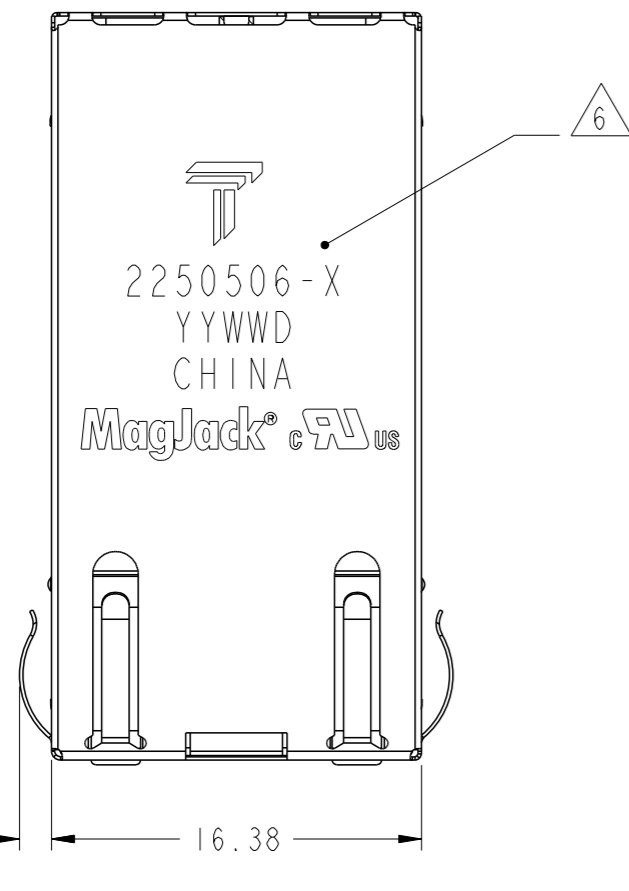


THIS DRAWING AND THE SUBJECT MATTER SHOWN THEREON ARE CONFIDENTIAL AND THE PROPERTY OF BEL/STEWART/TRP CONNECTOR AND SHALL NOT BE REPRODUCED, COPIED, OR USED IN ANY MANNER WITHOUT THE WRITTEN CONSENT OF TRP CONNECTOR.

PRODUCT MAY BE PROTECTED BY ONE OR MORE OF THE FOLLOWING US PATENTS:
 5736910 5939955 6425781 6428361 6554638 6840817 7123117
 7429195 7717749 7808751 6217391 6149050 7924130

| REVISIONS | | | | |
|-----------|-----|-----------------|-----------|---------|
| P | LTR | DESCRIPTION | DATE | APVD |
| 1 | | INITIAL RELEASE | 19APR2017 | TRY TYY |
| 2 | | SEE LAST SHEET | 21APR2017 | TRY TY |



1. MATERIALS
 HOUSING: THERMOPLASTIC, BLACK, FLAMMABILITY RATING UL 94V-0
 SHIELD: STAINLESS STEEL, 0.15mm THICK, PREPLATED WITH MIN 0.76μm SEMI-BRIGHT NICKEL POST DIPPED WITH 2.54μm MIN SAC SOLDER AT GROUND PINS.
 CONTACT: PHOSPHOR BRONZE, 0.46mmX0.30mm WITH 1.27μm MIN OVERALL NICKEL UNDERPLATE AND SELECTIVE 1.27μm MIN GOLD PLATING AT MATING INTERFACE.
 SOLDER TAIL(LED AND SIGNAL): Ø0.45mm COPPER PLATED STEEL, PLATED WITH 2.54μm MIN TIN.

2. MAGNETICS
 -APPLICATION: GIGABIT BASE-T 4PPoE EXTENDED TEMPERATURE
 -IMPEDANCE: 100 OHMS
 -TURNS RATIO (CHIP:CABLE): 1:1 ALL FOUR PAIRS
 -OPEN CIRCUIT INDUCTANCE (OCL): ALL CHANNELS
 350uH MIN @100kHz, 0.1VRMS, 8mA DC BIAS FROM -40°C TO 85°C,
 120uH MIN @100kHz, 0.1VRMS, 23mA DC BIAS FROM -40°C TO 85°C.
 -ALL FOUR PAIRS BI-DIRECTIONAL
 -PoE CURRENT: 900mADC MAX
 -PERFORMANCE @ 25°C: PLEASE REFER TO SEPARATE SHEET
 -ISOLATION VOLTAGE: 2250VDC FOR 60 SECONDS WITH A RISE TIME OF 500V/SEC.

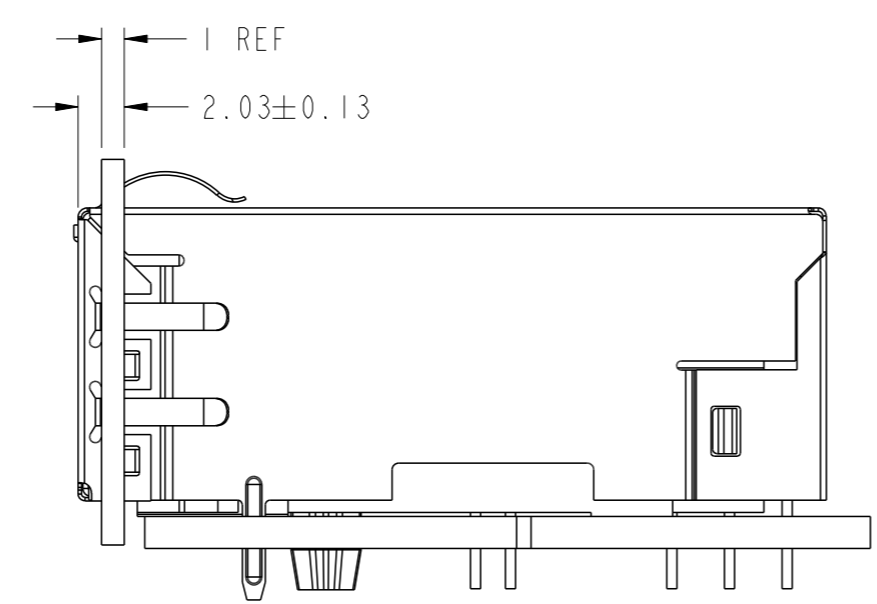
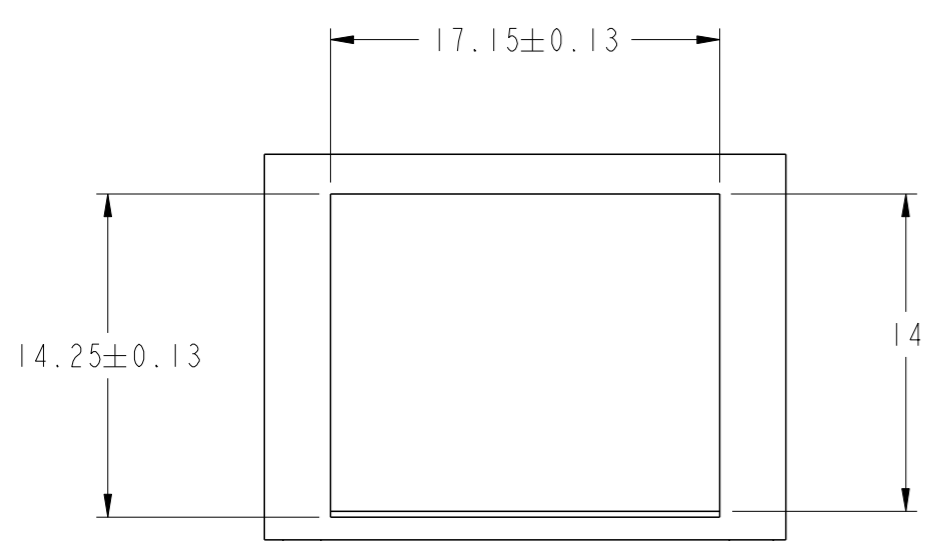
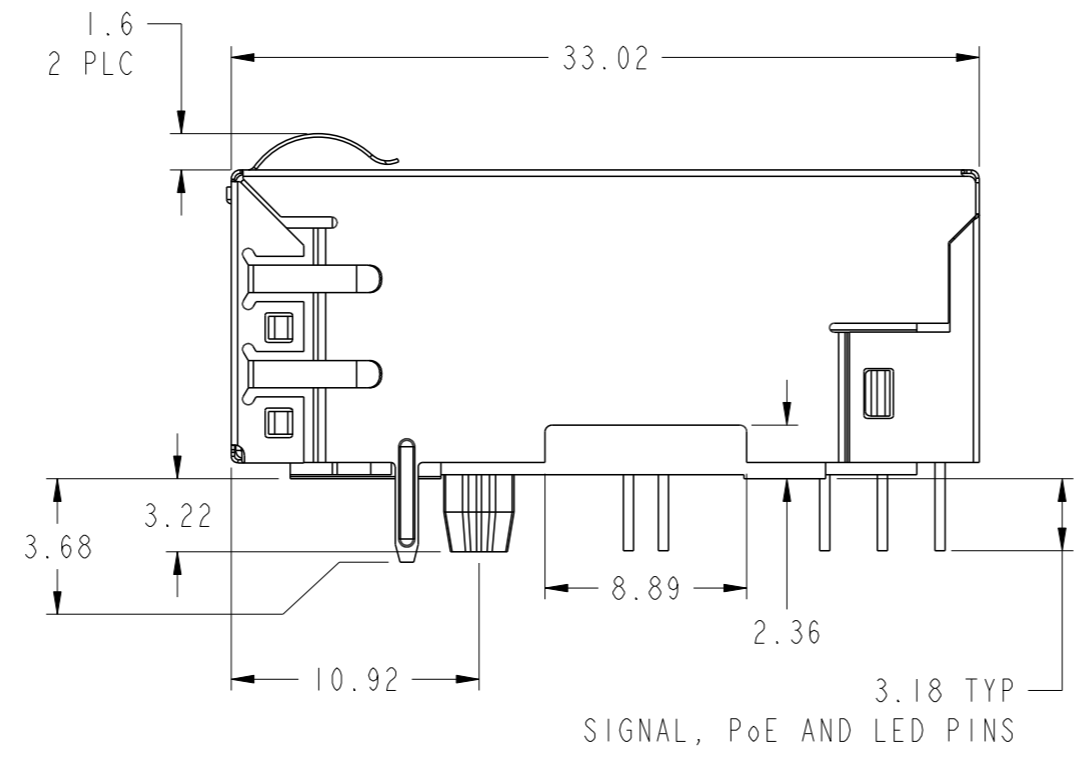
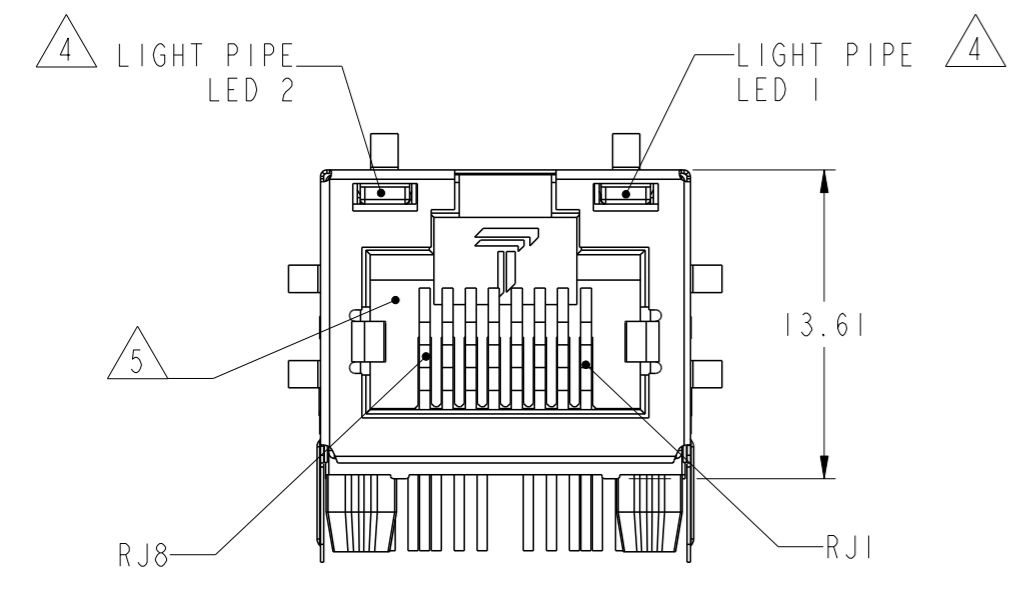
3. OPERATING TEMPERATURE: -40°C TO 85°C

4. LIGHT PIPES ARE USED TO TRANSMIT LIGHT OF LED.
 LEDS ARE DRIVEN WITH CONSTANT CURRENT AT APPROX 20mA.
 LED COLOR: DOMINANT WAVELENGTH (λ D): GREEN 567nm TYP. at IF=20mA
 FORWARD VOLTAGE (VF): GREEN 2.2V TYP. at IF=20mA
 DOMINANT WAVELENGTH (λ D): YELLOW 587nm TYP. at IF=20mA
 FORWARD VOLTAGE (VF): YELLOW 2.1V TYP. at IF=20mA
 DOMINANT WAVELENGTH (λ D): ORANGE 605 nm TYP @ IF=20 mA
 FORWARD VOLTAGE (VF): ORANGE 2.1V TYP @ IF=20 mA

5. RJ45 CAVITY CONFORMS TO FCC RULES AND REGULATION PART 68 SUBPART F.

6. TRP CONNECTOR LOGO, PART NUMBER, DATE CODE, COUNTRY OF ORIGIN, AGENCY APPROVAL MARKING IN APPROPRIATE LOCATION SHOWN. DATE CODE: YYWWD "YY" IS YEAR, "WW" IS WORK WEEK, "D" IS DAY OF WEEK, WITH SUNDAY=1.

7. PART SHOULD BE RECOMMENDED FOR WAVE SOLDERING PROCESS, PEAK WAVE SOLDERING TEMPERATURE IS 260°C, 10 SECOND MAX.



SUGGESTED PANEL CUTOUT

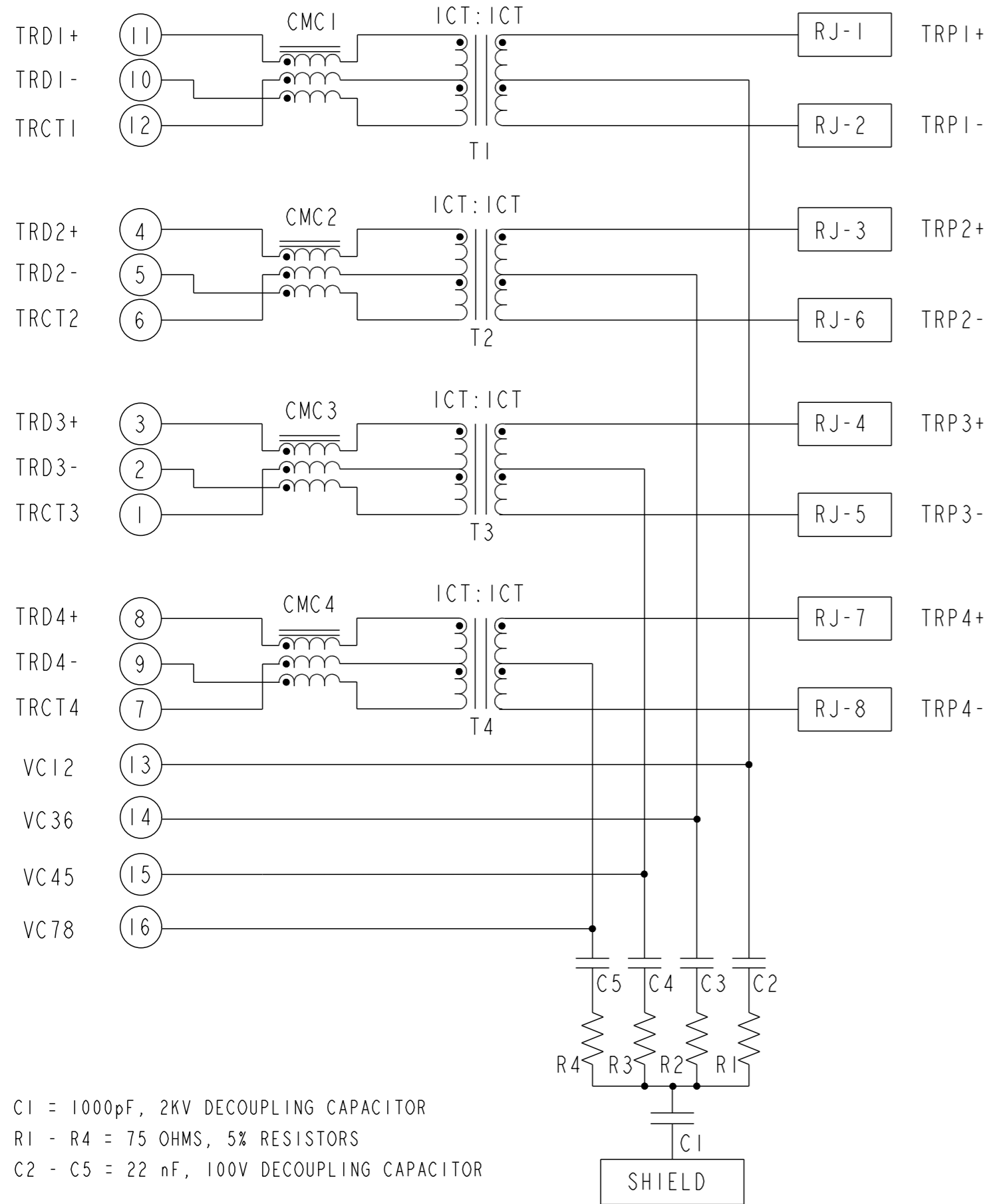
CONNECTOR ASSEMBLED TO PANEL AND PCB

| | |
|---|--|
| THIS DRAWING IS A CONTROLLED DOCUMENT, AND COMPLIANT TO ASME Y14.5M | |
| DIMENSIONS: mm | TOLERANCES UNLESS OTHERWISE SPECIFIED: |
| | 0 PLC ± |
| | 1 PLC ±0.25 |
| | 2 PLC ±0.25 |
| | 3 PLC ±0.25 |
| | 4 PLC ± |
| PRODUCT SPEC | ANGLES ± |
| | APPLICATION SPEC |

| | | | | |
|--------|-------|-------|--------|-------------|
| ORANGE | GREEN | - | YELLOW | 2250506-1 |
| 20-19 | 20-19 | 18-17 | 18-17 | PART NUMBER |
| LED 2 | | LED 1 | | |

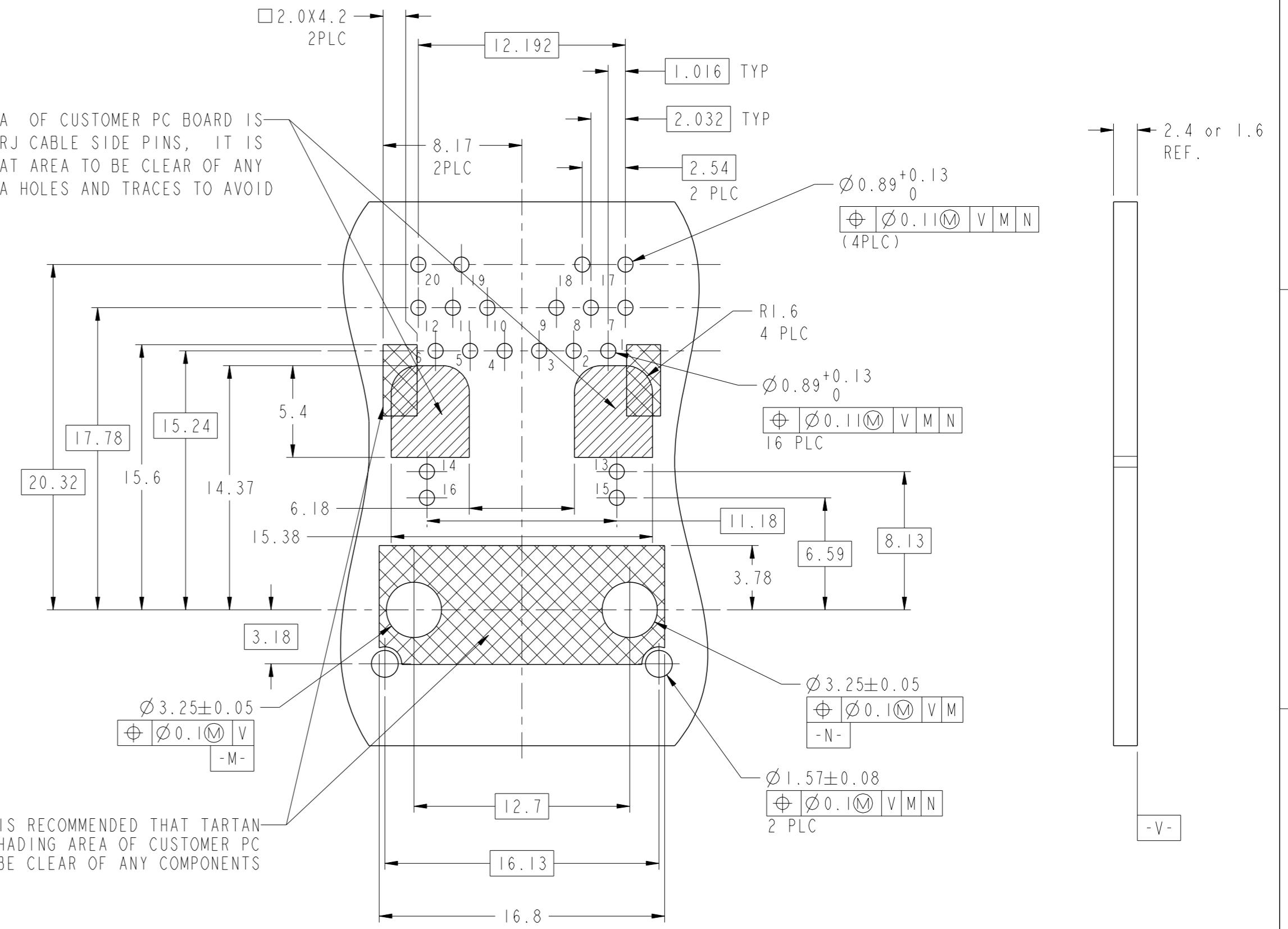
| | | | | | |
|-------------------------------------|--|--|-----------|--------------------------|---------------|
| DWN TOWER YU / XENIA WANG 19APR2017 | | | | DONGGUAN CHINA | |
| CHK BILL LIU 19APR2017 | | | | APVD TONY YUAN 19APR2017 | |
| MODEL NAME | | DESC | | | |
| MAGJACK SINGLE 4PPOE | | IXI 7UG01ET GIGABIT 4PPoE 100W EXTENDED TEMPERATUR TAB UP, W/ LEDS | | | |
| PRODUCT SPEC | | SIZE | CAGE CODE | DRAWING NO | RESTRICTED TO |
| | | A2 | | C-2250506 | - |
| CUSTOMER DRAWING | | | SCALE | SHEET | REV |
| | | | NTS | 1 OF 3 | 2 |

7UG01ET GIGABIT BASE-T 100W CIRCUIT



C1 = 1000pF, 2KV DECOUPLING CAPACITOR
 R1 - R4 = 75 OHMS, 5% RESISTORS
 C2 - C5 = 22 nF, 100V DECOUPLING CAPACITOR

THE SHADED AREA OF CUSTOMER PC BOARD IS EQUIVALENT TO RJ CABLE SIDE PINS, IT IS RECOMMENDED THAT AREA TO BE CLEAR OF ANY COMPONENTS, VIA HOLES AND TRACES TO AVOID HI-POT FAILURE


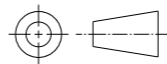


IT IS RECOMMENDED THAT TARTAN SHADING AREA OF CUSTOMER PC BOARD BE CLEAR OF ANY COMPONENTS

SUGGESTED PCB FOOTPRINT COMPONENT SIDE

| | | | | | | |
|---|---|--|-------------------------------------|--------------------|--|--------------|
| THIS DRAWING IS A CONTROLLED DOCUMENT, AND COMPLIANT TO ASME Y14.5M | | DWN: TOWER YU / XENIA WANG CHK: BILL LIU APVD: TONY YUAN MODEL NAME: MAGJACK SINGLE 4PPOE | 19APR2017 19APR2017 19APR2017 | DONGGUAN CHINA | DESC: IXI 7UG01ET GIGABIT 4PPoE 100W EXTENDED TEMPERATUR TAB UP, W/ LEDS | |
| DIMENSIONS: mm | TOLERANCES UNLESS OTHERWISE SPECIFIED: 0 PLC ± 1 PLC ±0.25 2 PLC ±0.25 3 PLC ±0.25 4 PLC ± ANGLES ± APPLICATION SPEC | SIZE: A2 CAGE CODE: C-2250506 DRAWING NO: C-2250506 | RESTRICTED TO: - | | SCALE: NTS | SHEET 2 OF 3 |
| PRODUCT SPEC: - | | CUSTOMER DRAWING | | | | |

| 2250506_C | | | | | | STOCK DISPOSITION | | | |
|------------------|-----|------------------------------------|----------------------|-----------|----------------------------|---|-------------------------------|--|--|
| | | | | | | A:CONTINUE AS IS B:REWORK C:SCRAP | | D:USE OLD FIRST E:PARTS TO CONFORM F:OTHER | |
| REVISION HISTORY | | | | | | | | | |
| DATE | REV | CHANGE | REASON | APPROVAL | INVENTORY (A,B,C,D,E,F) | WORK IN PROCESS (A,B,C,D) | SUPPLIER ORDERS (A,E,F) | OPEN CUST ORDERS (A,E,F) | |
| 19APR2017 | 1 | - | INITIAL RELEASE | TONY YUAN | - | - | - | - | |
| 21APR2017 | 2 | NOTE 2: CHANGE 14mA TO 8mA DC BIAS | PRODUCT IMPROVEMENNT | TONY YUAN | - | - | - | - | |

| | | | | |
|--|--|---|---|-------------------------|
| THIS DRAWING IS A CONTROLLED DOCUMENT. AND COMPLIANT TO ASME Y14.5M | | DWN TOWER YU / XENIA WANG 19APR2017 |  trp CONNECTOR a bel group | DONGGUAN CHINA |
| DIMENSIONS: mm | | CHK BILL LIU 19APR2017 | | |
| TOLERANCES UNLESS OTHERWISE SPECIFIED: | | APVD TONY YUAN 19APR2017 | DESC IXI 7UG01ET GIGABIT 4PPoE 100W EXTENDED TEMPERATUR TAB UP, W/ LEDS | |
|  0 PLC ± 1 PLC ±0.25 2 PLC ±0.25 3 PLC ±0.25 4 PLC ± ANGLES ± APPLICATION SPEC | | MODEL NAME MAGJACK SINGLE 4PPOE | SIZE A2 | DRAWING NO C-2250506 |
| PRODUCT SPEC - | | CUSTOMER DRAWING | | |
| | | SCALE NTS | SHEET 3 | OF 3 |
| | | | | REV 2 |

X-ON Electronics

Largest Supplier of Electrical and Electronic Components

Click to view similar products for [Modular Connectors / Ethernet Connectors](#) category:

Click to view products by [Bel Fuse](#) manufacturer:

Other Similar products are found below :

[8949-H88/06BLKA/SN](#) [74441-0010/BKN](#) [MP1010RX-1000](#) [MP44RX-1000](#) [PHJ-4P4C-1-V-4](#) [PHP-6P6C-5](#) [GAX-3-66](#) [GAX-8-62](#) [GDCX-PA-66-50](#) [GDCX-PN-64](#) [GDCX-PN-66](#) [GDCX-PN-66-50](#) [GDLX-A-66](#) [GDLX-N-66](#) [GDLX-S-66](#) [GDLX-S-88K](#) [GDLX-SMT-S-88](#) [GDTX-S-88-50](#) [GDX-PA-1010](#) [GLX-N-1010M-BLK](#) [GLX-S-88M-BLK](#) [GMX-N-1010](#) [GMX-S-1010](#) [GMX-S-66](#) [GMX-SMT4-N-88](#) [GPX-2-64](#) [GSGX-N-2-88](#) [GSGX-N-4-88](#) [GSX-NS2-88-3.05](#) [GSX-NS2-88-3.05-50](#) [GSX-NS-88-3.05-50](#) [PT-108A-8C-UL](#) [PT-J951-8C](#) [PTS-J531-8CS-50UL](#) [1-1775629-2](#) [A-2014-0-4](#) [GWLX-S-88-GR](#) [GWLX-S9-88-YG](#) [DC-1021-8-WH-6](#) [1300530003](#) [1324640-4](#) [RJ11FTVC2G](#) [RJ11FTVC2N](#) [RJFTVX2SA1G](#) [132764-001](#) [1413235](#) [MP88X-1000](#) [MPS88RX-5000](#) [E5288-S000K3-L](#) [E5908-15A242-L](#)