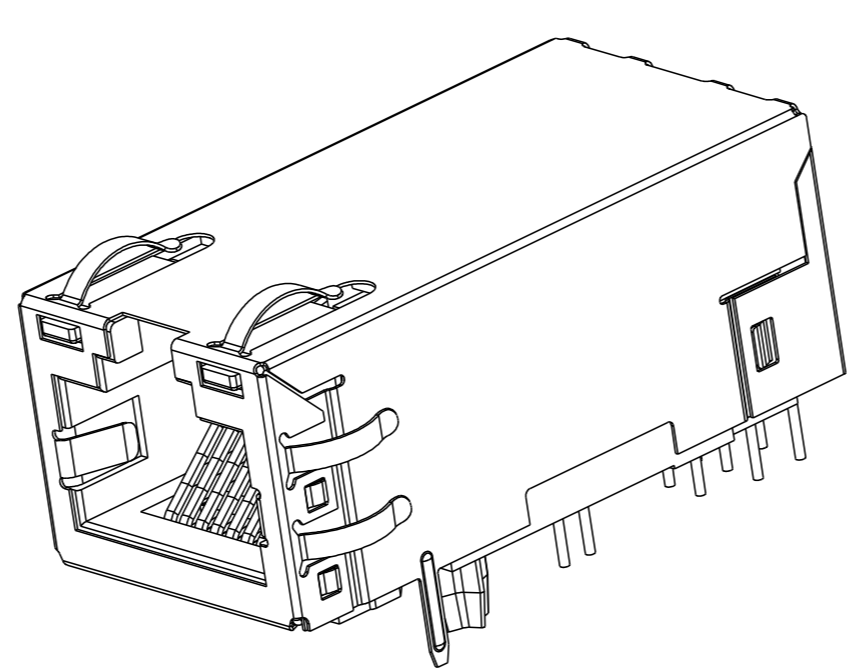
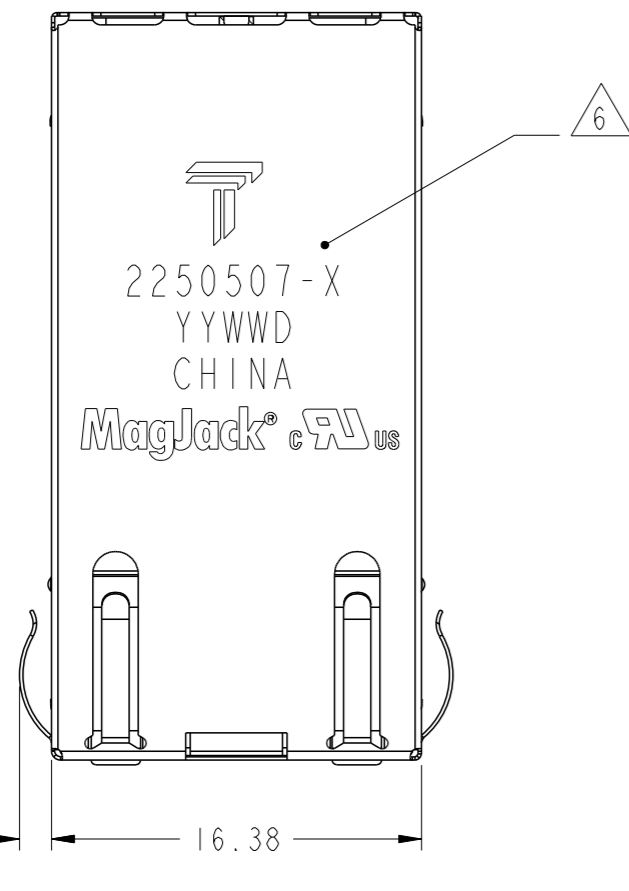


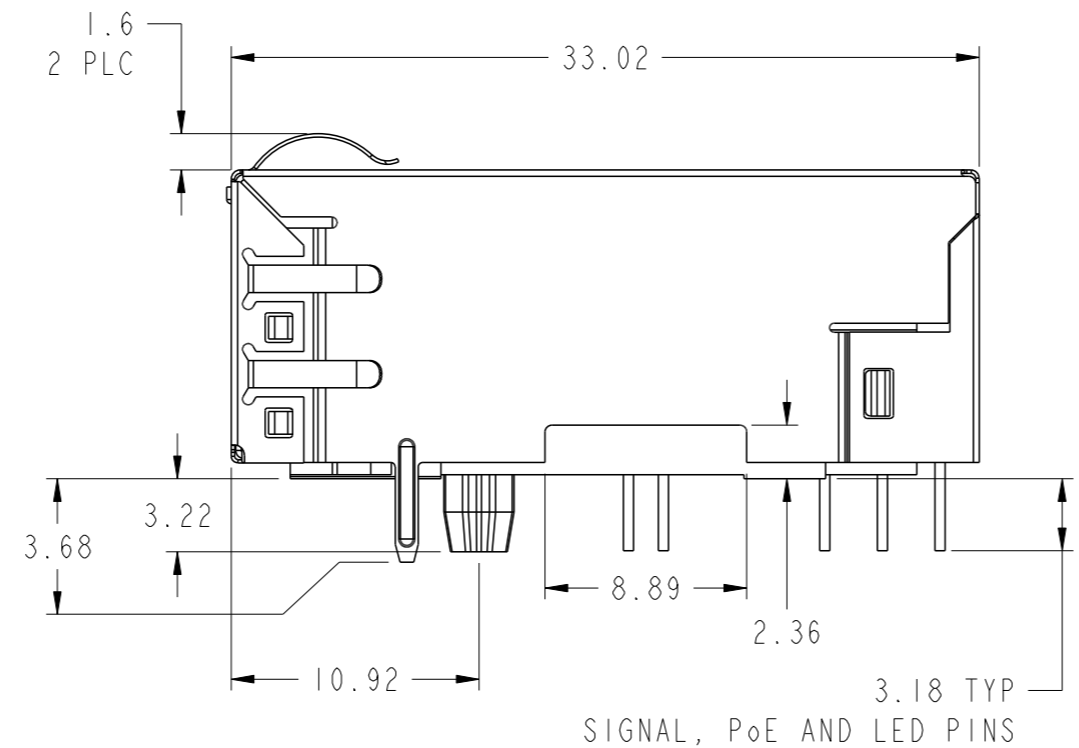
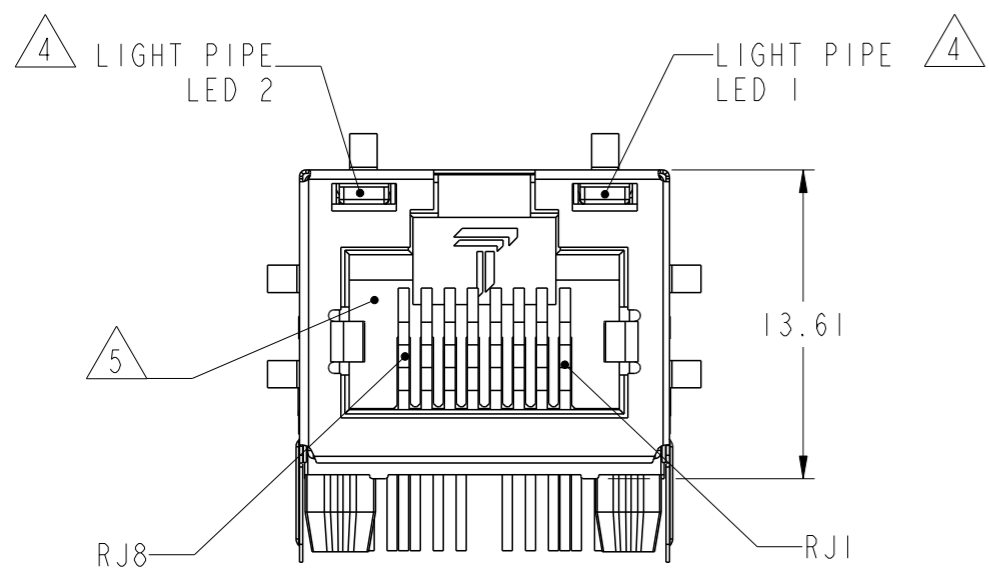
THIS DRAWING AND THE SUBJECT MATTER SHOWN THEREON ARE CONFIDENTIAL AND THE PROPERTY OF BEL/STEWART/TRP CONNECTOR AND SHALL NOT BE REPRODUCED, COPIED, OR USED IN ANY MANNER WITHOUT THE WRITTEN CONSENT OF TRP CONNECTOR.

PRODUCT MAY BE PROTECTED BY ONE OR MORE OF THE FOLLOWING US PATENTS:  
 5736910 5939955 6425781 6428361 6554638 6840817 7123117  
 7429195 7717749 7808751 6217391 6149050 7924130

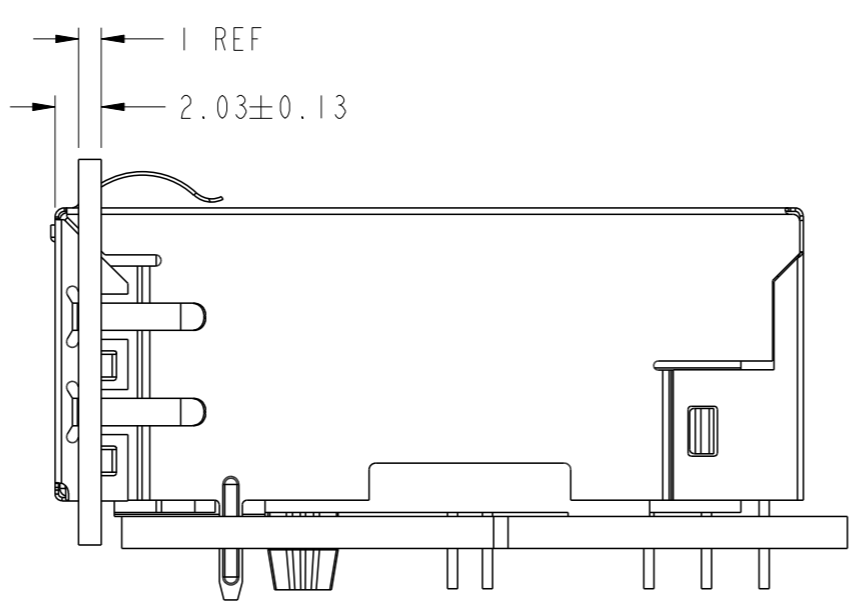
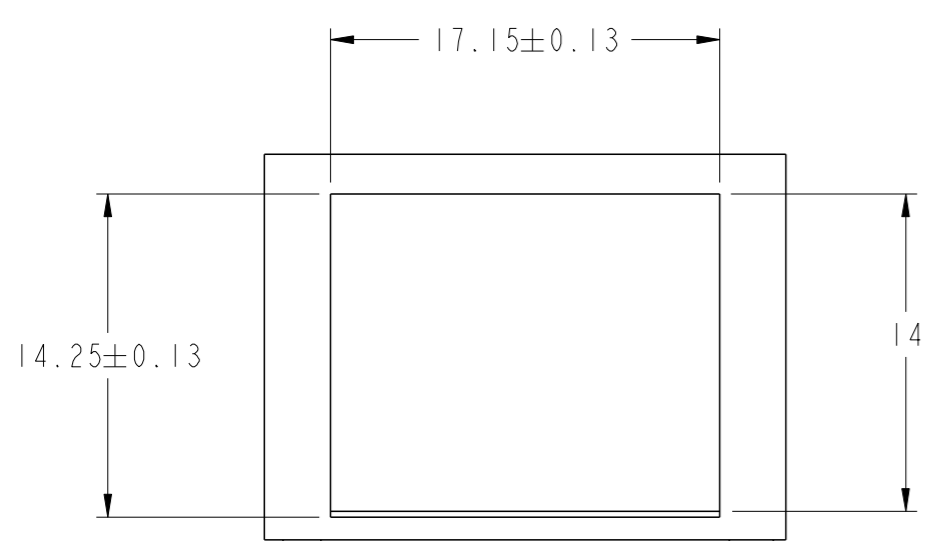
REVISIONS				
P	LTR	DESCRIPTION	DATE	APVD
1		INITIAL RELEASE	19APR2017	TRY TYY



1. MATERIALS  
 HOUSING: THERMOPLASTIC, BLACK, FLAMMABILITY RATING UL 94V-0  
 SHIELD: STAINLESS STEEL, 0.15mm THICK, PREPLATED WITH MIN 0.76μm SEMI-BRIGHT NICKEL POST DIPPED WITH 2.54μm MIN SAC SOLDER AT GROUND PINS.  
 CONTACT: PHOSPHOR BRONZE, 0.46mmX0.30mm WITH 1.27μm MIN OVERALL NICKEL UNDERPLATE AND SELECTIVE 1.27μm MIN GOLD PLATING AT MATING INTERFACE.  
 SOLDER TAIL(LED AND SIGNAL): Ø0.45mm COPPER PLATED STEEL, PLATED WITH 2.54μm MIN TIN.
2. MAGNETICS  
 -APPLICATION: 5G BASE-T 4PPoE EXTENDED TEMPERATURE  
 -IMPEDANCE: 100 OHMS  
 -TURNS RATIO (CHIP:CABLE): 1:1 ALL FOUR PAIRS  
 -OPEN CIRCUIT INDUCTANCE (OCL): ALL CHANNELS  
 180uH MIN @100kHz, 0.1VRMS, 8mA DC BIAS FROM -40°C TO 85°C,  
 120uH MIN @100kHz, 0.1VRMS, 23mA DC BIAS FROM -40°C TO 85°C.  
 -ALL FOUR PAIRS BI-DIRECTIONAL  
 -PoE CURRENT: 900mADC MAX  
 -PERFORMANCE @ 25°C: PLEASE REFER TO SEPARATE SHEET  
 -ISOLATION VOLTAGE: 2250VDC FOR 60 SECONDS WITH A RISE TIME OF 500V/SEC.
3. OPERATING TEMPERATURE: -40°C TO 85°C



4. LIGHT PIPES ARE USED TO TRANSMIT LIGHT OF LED. LEDs ARE DRIVEN WITH CONSTANT CURRENT AT APPROX 20mA.  
 LED COLOR: DOMINANT WAVELENGTH (λ D): GREEN 567nm TYP. at IF=20mA  
 FORWARD VOLTAGE (VF): GREEN 2.2V TYP. at IF=20mA  
 DOMINANT WAVELENGTH (λ D): YELLOW 587nm TYP. at IF=20mA  
 FORWARD VOLTAGE (VF): YELLOW 2.1V TYP. at IF=20mA  
 DOMINANT WAVELENGTH (λ D): ORANGE 605 nm TYP @ IF=20 mA  
 FORWARD VOLTAGE (VF): ORANGE 2.1V TYP @ IF=20 mA
5. RJ45 CAVITY CONFORMS TO FCC RULES AND REGULATION PART 68 SUBPART F.
6. TRP CONNECTOR LOGO, PART NUMBER, DATE CODE, COUNTRY OF ORIGIN, AGENCY APPROVAL MARKING IN APPROPRIATE LOCATION SHOWN. DATE CODE: YYWW "YY" IS YEAR, "WW" IS WORK WEEK, "D" IS DAY OF WEEK, WITH SUNDAY=1.
7. PART SHOULD BE RECOMMENDED FOR WAVE SOLDERING PROCESS, PEAK WAVE SOLDERING TEMPERATURE IS 260°C, 10 SECOND MAX.

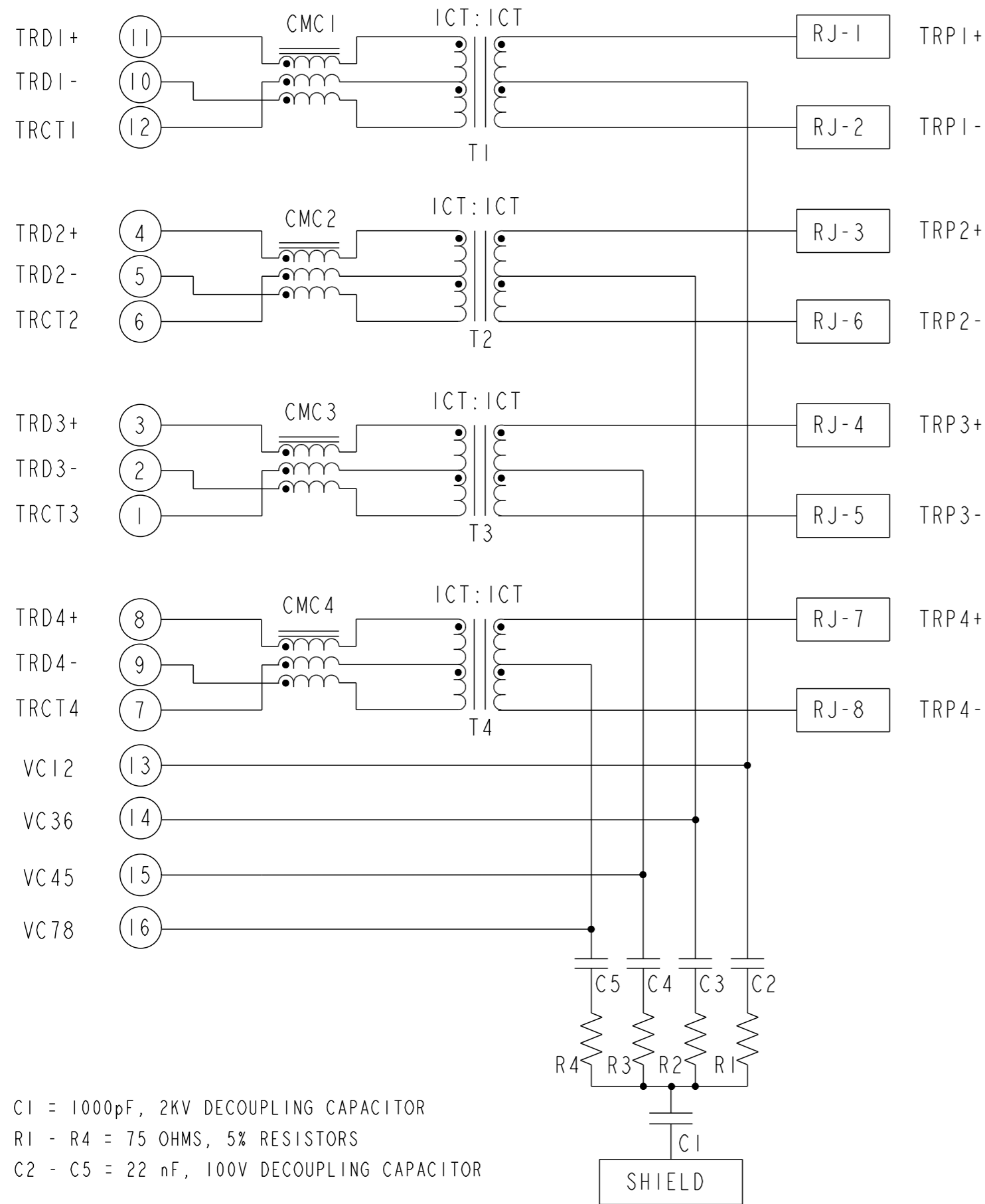


THIS DRAWING IS A CONTROLLED DOCUMENT, AND COMPLIANT TO ASME Y14.5M

DIMENSIONS:	TOLERANCES UNLESS OTHERWISE SPECIFIED:
mm	0 PLC ±
	1 PLC ±0.25
	2 PLC ±0.25
	3 PLC ±0.25
	4 PLC ±
PRODUCT SPEC	ANGLES ±
	APPLICATION SPEC

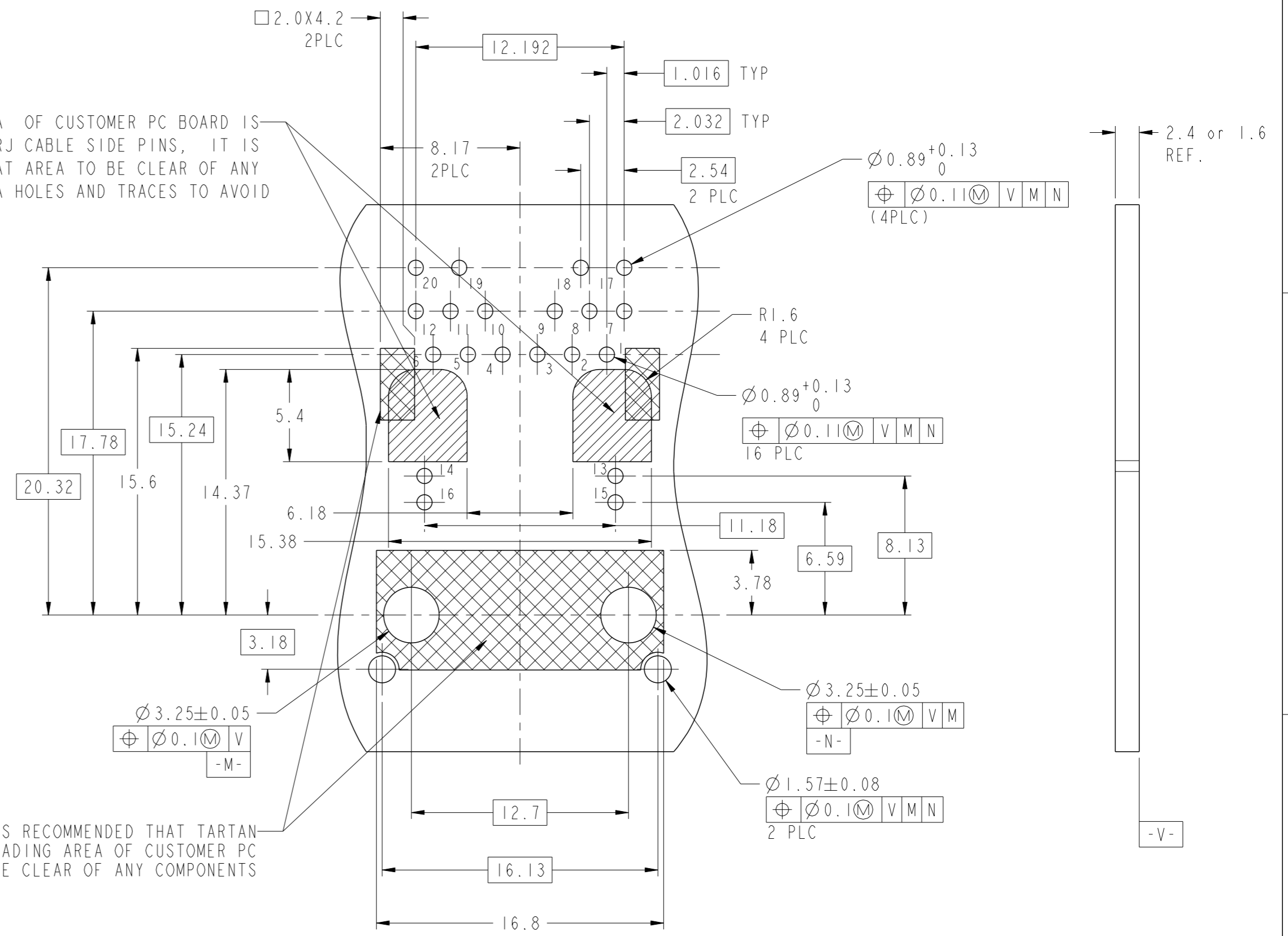
ORANGE	GREEN	-	YELLOW	2250507-1
20-19	20-19	18-17	18-17	PART NUMBER
LED 2		LED 1		
DWN TOWER YU / XENIA WANG		19APR2017		DONGGUAN CHINA
CHK BILL LIU		19APR2017		
APVD TONY YUAN		19APR2017		DESC: IXI 7UHT01ET 5G 4PPoE 100W EXTENDED TEMPERATUR TAB UP, W/ LEDS SIZE: A2 CAGE CODE: C-2250507 DRAWING NO: C-2250507 RESTRICTED TO: -
MODEL NAME: MAGJACK SINGLE 4PPOE		CUSTOMER DRAWING		
SCALE: NTS		SHEET 1 OF 3		REV 1

# 7UHT01ET 5G BASE-T 100W CIRCUIT



C1 = 1000pF, 2KV DECOUPLING CAPACITOR  
 R1 - R4 = 75 OHMS, 5% RESISTORS  
 C2 - C5 = 22 nF, 100V DECOUPLING CAPACITOR

THE SHADED AREA OF CUSTOMER PC BOARD IS EQUIVALENT TO RJ CABLE SIDE PINS, IT IS RECOMMENDED THAT AREA TO BE CLEAR OF ANY COMPONENTS, VIA HOLES AND TRACES TO AVOID HI-POT FAILURE

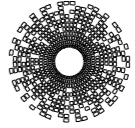
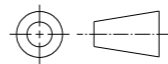


IT IS RECOMMENDED THAT TARTAN SHADING AREA OF CUSTOMER PC BOARD BE CLEAR OF ANY COMPONENTS

SUGGESTED PCB FOOTPRINT COMPONENT SIDE

THIS DRAWING IS A CONTROLLED DOCUMENT. AND COMPLIANT TO ASME Y14.5M		DWN: 19APR2017 TOWER YU / XENIA WANG	<p>trp CONNECTOR a bel group</p>	DONGGUAN CHINA
DIMENSIONS: mm		CHK: 19APR2017 BILL LIU		
TOLERANCES UNLESS OTHERWISE SPECIFIED:		APVD: 19APR2017 TONY YUAN	DESC: IXI 7UHT01ET 5G 4PPoE 100W EXTENDED TEMPERATUR TAB UP, W/ LEDS	
0 PLC ± 1 PLC ±0.25 2 PLC ±0.25 3 PLC ±0.25 4 PLC ± ANGLES ± APPLICATION SPEC		MODEL NAME: MAGJACK SINGLE 4PPOE	SIZE: A2	RESTRICTED TO: -
PRODUCT SPEC: -		DRAWING NO: C-2250507		SCALE: NTS
CUSTOMER DRAWING			SHEET: 2 OF 3	REV: 1

2250507_C						STOCK DISPOSITION			
						A:CONTINUE AS IS B:REWORK C:SCRAP		D:USE OLD FIRST E:PARTS TO CONFORM F:OTHER	
REVISION HISTORY									
DATE	REV	CHANGE	REASON	APPROVAL	INVENTORY (A,B,C,D,E,F)	WORK IN PROCESS (A,B,C,D)	SUPPLIER ORDERS (A,E,F)	OPEN CUST ORDERS (A,E,F)	
19APR2017	I	-	INITIAL RELEASE	TONY YUAN	-	-	-	-	

THIS DRAWING IS A CONTROLLED DOCUMENT. AND COMPLIANT TO ASME Y14.5M		DWN TOWER YU / XENIA WANG 19APR2017	 <b>trp</b> CONNECTOR a bel group	DONGGUAN CHINA
DIMENSIONS: mm		CHK BILL LIU 19APR2017		
		APVD TONY YUAN 19APR2017	DESC IXI 7UHT01ET 5G 4PPoE 100W EXTENDED TEMPERATUR TAB UP, W/ LEDS	
TOLERANCES UNLESS OTHERWISE SPECIFIED:		MODEL NAME MAGJACK SINGLE 4PPOE	SIZE A2	RESTRICTED TO -
0 PLC ± 1 PLC ±0.25 2 PLC ±0.25 3 PLC ±0.25 4 PLC ± ANGLES ± APPLICATION SPEC		DRAWING NO C-2250507		
PRODUCT SPEC -		CUSTOMER DRAWING		
		SCALE NTS	SHEET 3	OF 3
		REV 1		

## X-ON Electronics

Largest Supplier of Electrical and Electronic Components

*Click to view similar products for [Modular Connectors / Ethernet Connectors](#) category:*

*Click to view products by [Bel Fuse](#) manufacturer:*

Other Similar products are found below :

[8949-H88/06BLKA/SN](#) [74441-0010/BKN](#) [MP1010RX-1000](#) [MP44RX-1000](#) [PHJ-4P4C-1-V-4](#) [PHP-6P6C-5](#) [GAX-3-66](#) [GAX-8-62](#) [GDCX-PA-66-50](#) [GDCX-PN-64](#) [GDCX-PN-66](#) [GDCX-PN-66-50](#) [GDLX-A-66](#) [GDLX-N-66](#) [GDLX-S-66](#) [GDLX-S-88K](#) [GDLX-SMT-S-88](#) [GDTX-S-88-50](#) [GDX-PA-1010](#) [GLX-N-1010M-BLK](#) [GLX-S-88M-BLK](#) [GMX-N-1010](#) [GMX-S-1010](#) [GMX-S-66](#) [GMX-SMT4-N-88](#) [GPX-2-64](#) [GSGX-N-2-88](#) [GSGX-N-4-88](#) [GSX-NS2-88-3.05](#) [GSX-NS2-88-3.05-50](#) [GSX-NS-88-3.05-50](#) [PT-108A-8C-UL](#) [PT-J951-8C](#) [PTS-J531-8CS-50UL](#) [1-1775629-2](#) [A-2014-0-4](#) [GWLX-S-88-GR](#) [GWLX-S9-88-YG](#) [DC-1021-8-WH-6](#) [1300530003](#) [1324640-4](#) [RJ11FTVC2G](#) [RJ11FTVC2N](#) [RJFTVX2SA1G](#) [132764-001](#) [1413235](#) [MP88X-1000](#) [MPS88RX-5000](#) [E5288-S000K3-L](#) [E5908-15A242-L](#)