

5

4

3

2

1

DRAWING NO.				
25-7010-CUST				
REVISIONS				
01	OFFICIAL RELEASE			
	08-21-09	Y	U	Y U T H <i>Betty</i> 2009.09.08 08:17:42 +0800

Description: F-59 With Attached 1/4 Ring

Part No: 25-7010

Application: For RG59 Cable

Crimp Tool: 24-7710 or 24-8866P

Impedance: 75 Ohms

Frequency Range: 0-750 MHz

Material: Body Brass Nickel plated

Sleeve Brass Nickel plated

Nut Brass Nickel plated

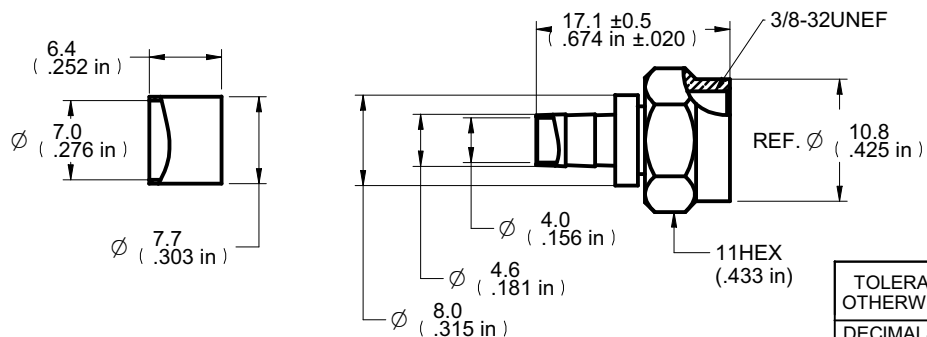
RoHS Compliance: Yes

Technical Detail: Refer to Emerson Document P/N 25-0000



受控 CONTROLLED DOCUMENT

编号 P/N	25-7010-CUST	版本 Rev	01	日期 Rel'd Date	SEP 14,09
-----------	--------------	-----------	----	------------------	-----------



DIM OUTLINE

CUSTOMER COPY

TOLERANCE UNLESS OTHERWISE SPECIFIED		DRAWN BY	DATE
DECIMALS	mm	BETTY.YU	08-21-09
X	± 0.5	CHECKED BY	DATE
X.X	± 0.3	BETTY.YU	08-21-09
X.XX	± 0.1	APPROVED BY	DATE
ANGLES	± 0.5°	THOMAS	08-21-09
		U/M	mm



TITLE
F-59 WITH ATTACHED 1/4 RING

THIS DRAWING WAS PRODUCED BY COMPUTER, DO NOT SCALE DRAWING OR UPDATE MANUALLY.

SHEET	DRAWING NO.	SIZE
1 OF 1	25-7010-CUST	A

5

4

3

2

1

X-ON Electronics

Largest Supplier of Electrical and Electronic Components

Click to view similar products for [RF Connectors / Coaxial Connectors](#) category:

Click to view products by [Bel Fuse](#) manufacturer:

Other Similar products are found below :

[8915-1511-000](#) [89674-0827](#) [6001-7071-019](#) [6002-7051-003](#) [6002-7551-202](#) [6059674-1](#) [619550-1](#) [630059-000](#) [M39030/3-01N](#) [6500-7071-046](#) [6769](#) [CX050L2AQ](#) [7002-1541-010](#) [7002-1542-011](#) [7004-1512-000](#) [7009-1511-004](#) [7010-1511-000](#) [7029-1511-060](#) [7101-1541-010](#) [7101-1571-002](#) [7145-1521-002](#) [7203-1571-003](#) [7209-1511-011](#) [7210-1511-015](#) [7210-1511-019](#) [73137-5015](#) [73216-2241](#) [73404-2300](#) [7405-1521-005](#) [7405-1521-802](#) [8527](#) [8547](#) [FS11V](#) [877931](#) [8808-1511-001](#) [9049-9513-000](#) [9074-9513-000](#) [9101-9573-002](#) [910A205F](#) [9130-9573-002](#) [PL11SC-026](#) [PL375-33](#) [PL40-5](#) [PL74C-221](#) [PL75MC-217](#) [PL803-7](#) [1200690078](#) [1-201144-1](#) [R107003010W](#) [R110A172100](#)