

5

4

3

2

1

受控 CONTROLLED DOCUMENT

| | | | | | |
|-----------|--------------|-----------|----|------------------|----------|
| 编号 P/N | 25-7030-CUST | 版本 Rev | 01 | 日期 Rel'd Date | Apr29,09 |
|-----------|--------------|-----------|----|------------------|----------|

DRAWING NO.
25-7030-CUST

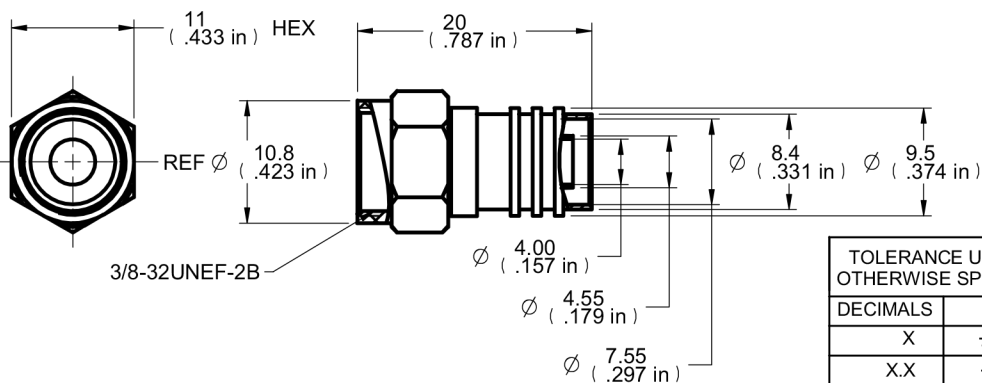
REVISIONS

| | | | | |
|----|------------------|---|---|----|
| 01 | OFFICIAL RELEASE | | | |
| | 03-10-09 | Y | Y | TH |

Thomas Chow



Description: F-59 Alm W/Att. 1/2 Ring RG-59
 Part No: 25-7030
 Application: For standard RG-59 Cable
 Crimp Tool: 24-7710 or 24-8866P
 Impedance: 75 Ohms
 Frequency Range: 0-750 MHz
 Material: Body Brass Nickel plated
 Nut Zinc Nickel plated
 RoHS Compliance: Yes
 Technical Detail: Refer to Emerson Document P/N 25-0000



DIM OUTLINE

CUSTOMER COPY



| | | | |
|--------------------------------------|--------|-------------|----------|
| TOLERANCE UNLESS OTHERWISE SPECIFIED | | DRAWN BY | DATE |
| DECIMALS | mm | BETTY.YU | 03-10-09 |
| X | ± 0.5 | CHECKED BY | DATE |
| X.X | ± 0.3 | BETTY.YU | 03-10-09 |
| X.XX | ± 0.1 | APPROVED BY | DATE |
| ANGLES | ± 0.5° | THOMAS | 03-10-09 |
| | | U/M | mm |

TITLE
F-59 ALM W/ATT. 1/2 RING RG-59

THIS DRAWING WAS PRODUCED BY COMPUTER,
DO NOT SCALE DRAWING OR UPDATE MANUALLY.

| | | |
|-----------------|-----------------------------|-----------|
| SHEET 1 OF 1 | DRAWING NO. 25-7030-CUST | SIZE A |
|-----------------|-----------------------------|-----------|

5

4

3

2

1

X-ON Electronics

Largest Supplier of Electrical and Electronic Components

Click to view similar products for [RF Connectors / Coaxial Connectors](#) category:

Click to view products by [Bel Fuse](#) manufacturer:

Other Similar products are found below :

[8915-1511-000](#) [89674-0827](#) [6001-7071-019](#) [6002-7051-003](#) [6002-7551-202](#) [6059674-1](#) [619550-1](#) [630059-000](#) [M39030/3-01N](#) [6500-7071-046](#) [6769](#) [CX050L2AQ](#) [7002-1541-010](#) [7002-1542-011](#) [7004-1512-000](#) [7009-1511-004](#) [7010-1511-000](#) [7029-1511-060](#) [7101-1541-010](#) [7101-1571-002](#) [7145-1521-002](#) [7203-1571-003](#) [7209-1511-011](#) [7210-1511-015](#) [7210-1511-019](#) [73137-5015](#) [73216-2241](#) [73404-2300](#) [7405-1521-005](#) [7405-1521-802](#) [8527](#) [8547](#) [FS11V](#) [877931](#) [8808-1511-001](#) [9049-9513-000](#) [9074-9513-000](#) [9101-9573-002](#) [910A205F](#) [9130-9573-002](#) [PL11SC-026](#) [PL375-33](#) [PL40-5](#) [PL74C-221](#) [PL75MC-217](#) [PL803-7](#) [1200690078](#) [1-201144-1](#) [R107003010W](#) [R110A172100](#)