

5

4

3

2

1

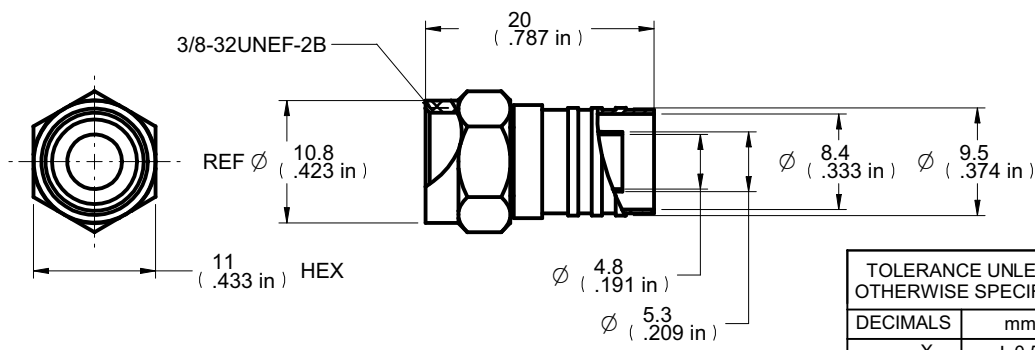
DRAWING NO.	
25-7036-CUST	
REVISIONS	
01	OFFICIAL RELEASE
	08-21-09 Y U Y U T H <i>Betty</i> 2009.09.01 08-21-09 +0800



Description: Zinc Plated W/Att. 1/2 Ring
 Part No: 25-7036
 Application: For RG6 Cable
 Crimp Tool: 24-7710 or 24-8866P
 Impedance: 75 Ohms
 Frequency Range: 0-750 MHz
 Material: Body Brass Zinc plated
 Nut Zinc Zinc plated
 RoHS Compliance: Yes
 Technical Detail: Refer to Emerson Document P/N 25-0000

受控 CONTROLLED DOCUMENT					
编号 P/N	25-7036-CUST	版本 Rev	01	日期 Rel'd Date	SEP 14,09

CUSTOMER COPY



DIM OUTLINE

TOLERANCE UNLESS OTHERWISE SPECIFIED	DRAWN BY	DATE
DECIMALS	BETTY.YU	08-21-09
X ± 0.5	CHECKED BY	DATE
X.X ± 0.3	BETTY.YU	08-21-09
X.XX ± 0.1	APPROVED BY	DATE
ANGLES ± 0.5°	THOMAS	08-21-09
	U/M	mm

	
TITLE	
ZINC PLATED W/ ATT. 1/2 RING	

THIS DRAWING WAS PRODUCED BY COMPUTER, DO NOT SCALE DRAWING OR UPDATE MANUALLY.	SHEET 1 OF 1	DRAWING NO. 25-7036-CUST	SIZE A
---	--------------	--------------------------	--------

5

4

3

2

1

X-ON Electronics

Largest Supplier of Electrical and Electronic Components

Click to view similar products for [RF Connectors / Coaxial Connectors](#) category:

Click to view products by [Bel Fuse](#) manufacturer:

Other Similar products are found below :

[R125315120](#) [8915-1511-000](#) [89674-0827](#) [5916-1103-603](#) [6-0001-3](#) [6001-7071-019](#) [6002-7051-003](#) [6002-7551-202](#) [6059674-1](#) [619550-1](#)
[630059-000](#) [M39012/25-0021](#) [M39012/79-3008](#) [M39030/3-01N](#) [M39030/3-03N](#) [M3933/25-36N](#) [6500-7071-046](#) [M83723/72W24576](#)
[M83723/72W2457N](#) [6769](#) [CX050L2AQ](#) [7002-1541-010](#) [7002-1572-002](#) [7003-1572-002](#) [7010-1511-000](#) [7029-1511-060](#) [7101-1541-010](#)
[7101-1571-002](#) [7105-1521-002](#) [7145-1521-002](#) [7209-1511-011](#) [7210-1511-015](#) [7210-1511-019](#) [7225-1512-050](#) [7242-1511-000](#) [73137-5015](#)
[73251-0111](#) [73251-0672](#) [7325-1512-000](#) [73276-1501](#) [73366-0013](#) [73404-2300](#) [73413-6080](#) [73415-5721](#) [7405-1521-005](#) [7405-1521-802](#)
[7406-1521-005](#) [804S01D04M040](#) [8145-1521-002](#) [81590](#)