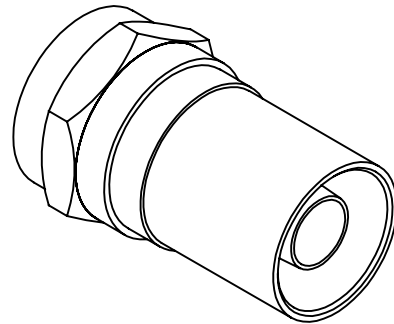
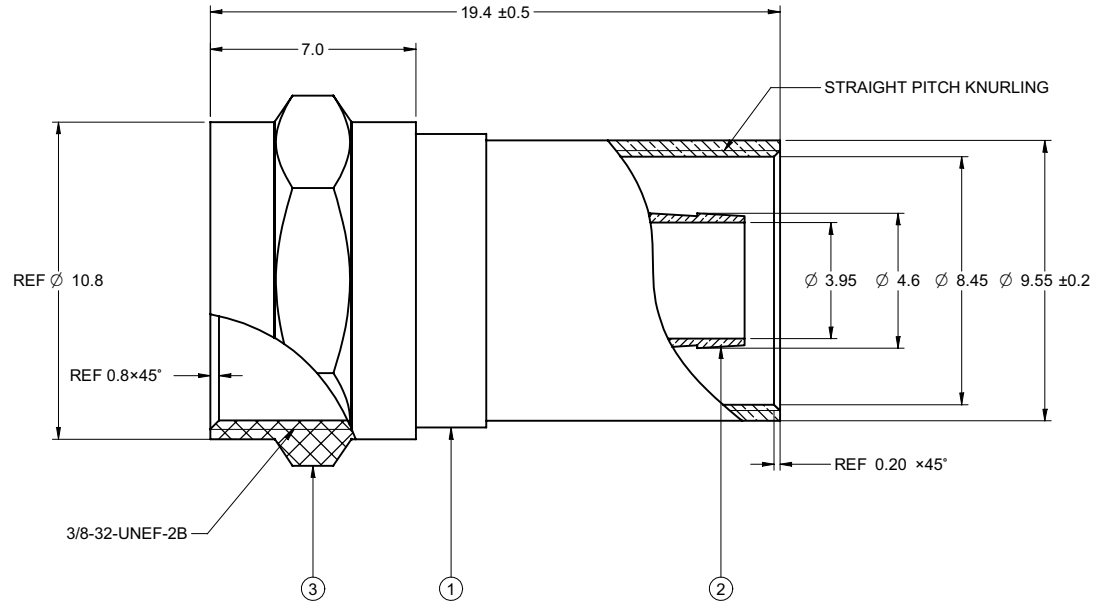
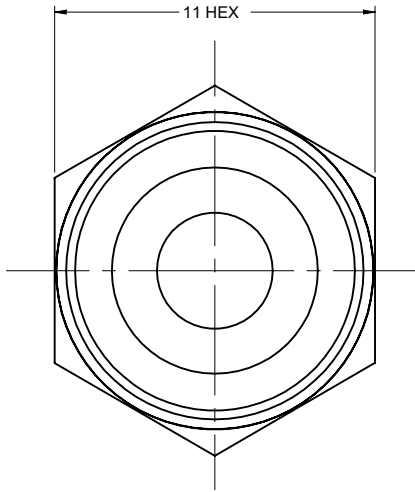


PART NUMBER	ITEM ① SLEEVE	ITEM ② BODY	ITEM ③ NUT
25-7049	BRASS NICKEL PLATED	BRASS NICKEL PLATED	ZINC NICKEL PLATED

**受控 CONTROLLED DOCUMENT**

编号 P/N	25-7049	版本 Rev	0D	日期 Rel'd Date	Mar 24,08
-----------	---------	-----------	----	------------------	-----------

DRAWING NO. 25-7049	
REVISIONS	
A	RELEASE FOR QUOTATION 04-22-06 L Y T
B	ADD STRAIGHT PITCH KNURLING DESCRIPTION 08-10-06 L Y T
C	CHANGE TOL. ON OVER ALL LENGTH ADD TWO DIM. OF CHAMFER ADD NOTES 4 & 5 12-19-06 Z L T
UPDATE NOTES	
D	07-05-07 Z W T



NOTES:  
TECHNICAL REQUIREMENT AND CABLE ASSEMBLY INSTRUCTION REFER TO EMERSON NET WORK POWER CONNECTIVITY SOLUTIONS DOUCUMENT P/N 25-0000.

THIS DRAWING TO BE INTERPRETED PER ANSI Y 14.5M - 1994

**COMPANY CONFIDENTIAL**

TOLERANCE UNLESS OTHERWISE SPECIFIED		DRAWN BY GARY.ZHG	DATE 07-05-07
DECIMALS	mm	CHECKED BY IVON.WANG	DATE 07-05-07
X	± 0.5	APPROVED BY THOMAS	DATE 08-07-07
X.X	± 0.2		
X.XX	± 0.1		
ANGLES	± 0.5°	U/M	mm

<b>EMERSON</b> Network Power		<b>Connectivity Solutions</b>	
TITLE F W/ATT. 1/2 RING RG59 TFE			

THIS DRAWING WAS PRODUCED BY COMPUTER, DO NOT SCALE DRAWING OR UPDATE MANUALLY.		SHEET 1 OF 1	DRAWING NO. 25-7049	SIZE C
---	--	-----------------	------------------------	-----------

## X-ON Electronics

Largest Supplier of Electrical and Electronic Components

*Click to view similar products for [RF Connectors / Coaxial Connectors](#) category:*

*Click to view products by [Bel Fuse](#) manufacturer:*

Other Similar products are found below :

[8915-1511-000](#) [89674-0827](#) [6001-7071-019](#) [6002-7051-003](#) [6002-7551-202](#) [6059674-1](#) [619550-1](#) [630059-000](#) [M39030/3-01N](#) [6500-7071-046](#) [6769](#) [CX050L2AQ](#) [7002-1541-010](#) [7002-1542-011](#) [7004-1512-000](#) [7009-1511-004](#) [7010-1511-000](#) [7029-1511-060](#) [7101-1541-010](#) [7101-1571-002](#) [7145-1521-002](#) [7203-1571-003](#) [7209-1511-011](#) [7210-1511-015](#) [7210-1511-019](#) [73137-5015](#) [73216-2241](#) [73404-2300](#) [7405-1521-005](#) [7405-1521-802](#) [8527](#) [8547](#) [FS11V](#) [877931](#) [8808-1511-001](#) [9049-9513-000](#) [9074-9513-000](#) [9101-9573-002](#) [910A205F](#) [9130-9573-002](#) [PL11SC-026](#) [PL375-33](#) [PL40-5](#) [PL74C-221](#) [PL75MC-217](#) [PL803-7](#) [1200690078](#) [1-201144-1](#) [R107003010W](#) [R110A172100](#)