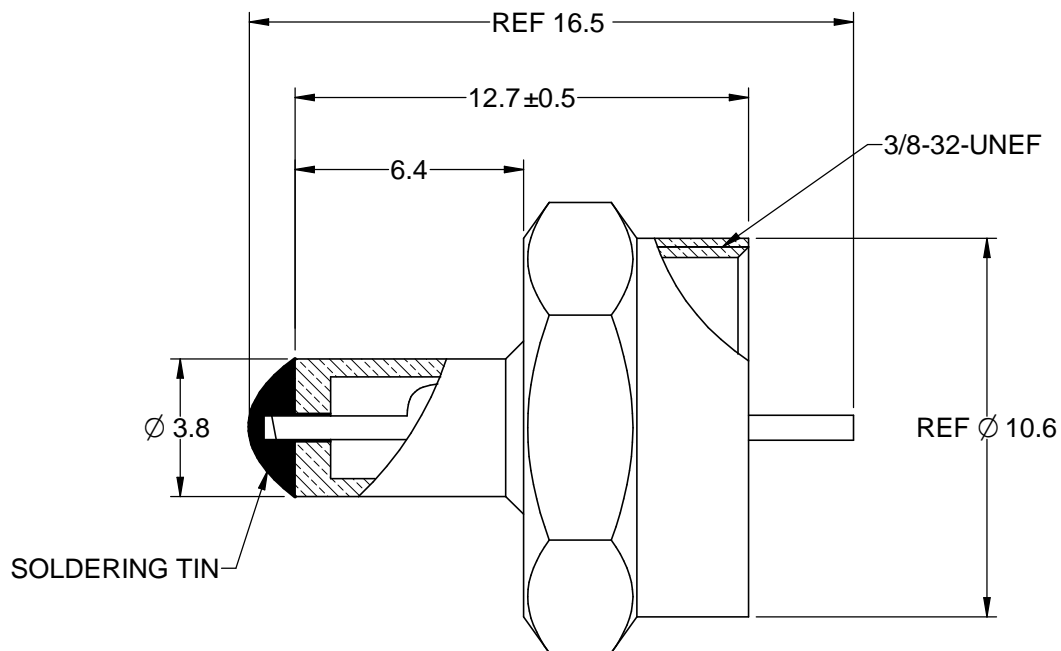
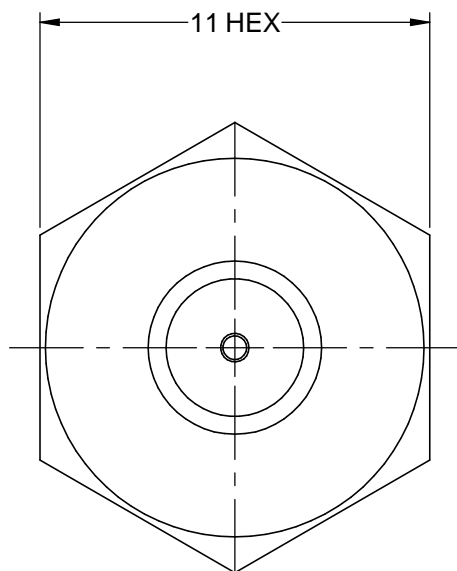




DESCRIPTION: F-59T TERMINATOR 1/4 WATT 5%
 MODEL NUMBER: 25-7100
 APPLICATION: TERMINATOR
 CRIMP TOOL: N/A
 IMPEDANCE: 75 OHMS
 FREQUENCY RANGE: 0-750 MHz
 MATERIAL: BODY BRASS NICKEL PLATED
 RESISTANCE 75Ω 1/4W
 RoHS COMPLIANCE: YES
 TECHNICAL DETAIL: REFER TO CINCH DOCUMENT P/N 25-0000



| | | | |
|---|---|--|---------------------------------|
| <small>© 2015 cinch</small> | | AIM-Cambridge | |
| | RoHS2 <input checked="" type="checkbox"/> 2011/65/EU | Title: (CPF59T) F Type Plug Termination for RG59 | |
| <small>This PROPRIETARY Document is property of Cinch Connectivity Solutions. It is confidential in nature, non-transferable, and issued with the clear understanding that it is not to be copied or reused without permission and is returnable upon demand.</small> | <small>UNLESS OTHERWISE SPECIFIED UNITS: METRIC</small> .X ±.3 .XX ±.10 ANGLES ±2° | Model No. 25-7100 | |
| <small>INTERPRET DRAWING IN ACCORDANCE WITH ASME Y14.5-2009.</small> | Size A | DO NOT SCALE DRAWING | Date: 2015/6/26 Sheet 1 of 1 |

X-ON Electronics

Largest Supplier of Electrical and Electronic Components

Click to view similar products for [RF Terminators](#) category:

Click to view products by [Bel Fuse](#) manufacturer:

Other Similar products are found below :

[M390303-02N](#) [M39030/3-04S](#) [M39030/3-09S](#) [M39030/3-11N](#) [TNG1-9-78-D3](#) [TNA2-50](#) [TNG1-6-78](#) [TNH1-1-50](#) [TNGFL1-1-78](#)
[R4042N5000](#) [53S1RR-001N3](#) [142275](#) [56S1RR-001N4](#) [65_BNC-50-0-7/133_NE](#) [71S1RR-001N4](#) [02S17R-001D3](#) [R404240120](#) [R404260000](#)
[HT-10-2](#) [FL LCX 50-OHM-RSMA](#) [M39030/3-04N](#) [TNA1-6-50](#) [131-3801-811](#) [TNA1-1-50](#) [65_N-50-0-51/113_NE](#) [65_BNC-50-0-2/133_NE](#)
[65_N-50-0-1/133_NE](#) [65002_N-50-1/122_NE](#) [65_MMCX-50-0-31/111_OE](#) [18K15R-0.5E3](#) [2702702](#) [TRM-2161-M0-35M-02](#) [53S17R-](#)
[001N3](#) [1100.19.0001](#) [6701.01.B](#) [18S24H-40ML5](#) [TRM-2053-M0-NNN-02](#) [R404759000](#) [M39030/6-02N](#) [TRM-2053-MC-NNN-02](#)
[M39030/3-03S](#) [SF8012-6009](#) [6701.01.A](#) [65_MCX-50-0-4/111_NE](#) [65_716-50-0-2/003_-E](#) [65_SMB-50-0-1/111_NE](#) [M39030/3-12N](#) [82-](#)
[5722-RFX](#) [8018-6174](#) [SF8018-6005](#)