

5

4

3

2

1

D

C

B

A

D

C

B

A



Description: RT.Angle F FM. To Push On Male

Part No: 25-7141

Application: Adapter

Crimp Tool: N/A

Impedance: 75 Ohms

Frequency Range: 0-750 MHz

Material: Body Brass or Zinc Nickel plated

Contact Brass Nickel plated

Insulator Delrin

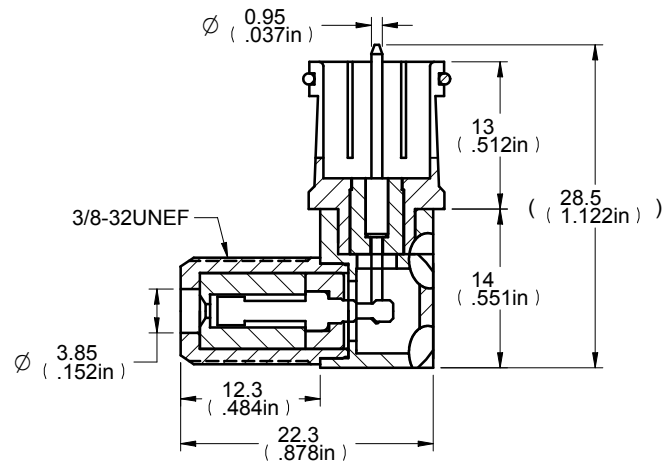
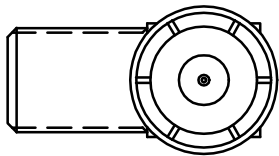
Spring SWPA Nickel plated

Contact Phos. bronze Tin plated

Insulator PP

RoHS Compliance: Yes

Technical Detail: Refer to Emerson Document P/N 25-0000



DIM OUTLINE

DRAWING NO.

25-7141-CUST

REVISIONS

01

OFFICIAL RELEASE

08-21-09

Y U

Y U

T H

02

CHANGE VIEW AND ADD MATERIAL LIST.

04-07-11

J J

J J

D

ECO-11-0069

CUSTOMER COPY



TITLE
RT. ANGLE F FM. TO PUSH ON MALE

TOLERANCE UNLESS OTHERWISE SPECIFIED		DRAWN BY	DATE
DECIMALS	mm	JEAN.JIN	04-07-11
X	± 0.5	CHECKED BY	DATE
X.X	± 0.3	JEAN.JIN	04-07-11
X.XX	± 0.1	APPROVED BY	DATE
ANGLES	± 0.5°	DONALD	04-07-11
		U/M	mm

SHEET
1 OF 1

DRAWING NO.
25-7141-CUST

SIZE
A

THIS DRAWING WAS PRODUCED BY COMPUTER,
DO NOT SCALE DRAWING OR UPDATE MANUALLY.

5

4

3

2

1

X-ON Electronics

Largest Supplier of Electrical and Electronic Components

Click to view similar products for [RF Adapters - In Series](#) category:

Click to view products by [Bel Fuse](#) manufacturer:

Other Similar products are found below :

[5916-1103-603](#) [5919-1503-000](#) [5919-9503-000](#) [651A505](#) [82-5552](#) [9030-9523-502](#) [PN2C](#) [A0407000](#) [R114703000W](#) [R125771001](#)
[R127871001](#) [R141710000W](#) [R141723161](#) [R141730000](#) [R143730700](#) [R143770000](#) [R161703000W](#) [R161753000W](#) [R161791530W](#)
[R201705000](#) [R222705200](#) [R222M40010W](#) [R222M40050](#) [R223703180](#) [R316754000](#) [R405006000](#) [R443162000](#) [AD78TL](#) [HRM-513S](#)
[1996352-2](#) [2157155-1](#) [252169-75](#) [AD158](#) [2101130-1](#) [252186](#) [R114704000W](#) [R114720000W](#) [R125705001](#) [R125705701](#) [R125771000](#)
[R125771001W](#) [R127704001](#) [R127.870.001](#) [R127872001](#) [R141717000](#) [R142710000](#) [R142723000](#) [R143703000](#) [R143704000](#) [R143705700](#)