

5

4

3

2

1

DRAWING NO. 25-7300-CUST			
REVISIONS			
01	OFFICIAL RELEASE		
	08-21-09	Y U	Y U

Description: PL259 Male Solder UHF 20Lbs, RG8,RG213

Part No: 25-7300

Application: For RG-8,11,213,214 Cable

Crimp Tool: N/A

Impedance: N/A

Frequency Range: 0-500 MHz

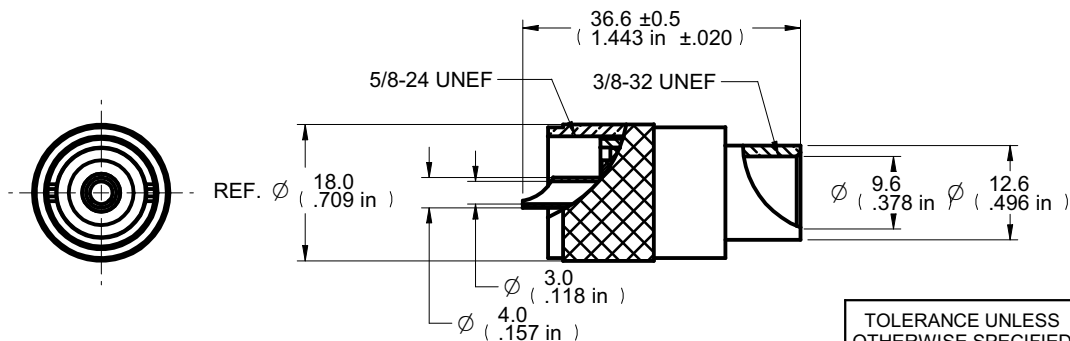
Material: Body Brass Nickel plated
Contact Brass Nickel plated
Nut Brass Nickel plated
Insulator Delrin



RoHS Compliance: Yes

Technical Detail: Refer to Emerson Document P/N 29-0000

受控 CONTROLLED DOCUMENT					
编号 P/N	25-7300-CUST	版本 Rev	01	日期 Rel'd Date	SEP 14,09



DIM OUTLINE

CUSTOMER COPY

TOLERANCE UNLESS OTHERWISE SPECIFIED	DRAWN BY BETTY.YU	DATE 08-21-09
DECIMALS	CHECKED BY BETTY.YU	DATE 08-21-09
X	APPROVED BY THOMAS	DATE 08-21-09
X.X	U/M	mm
X.XX		
ANGLES		



TITLE
PL259 MALE SOLDER UHF 20 LBS,RG8,RG213

THIS DRAWING WAS PRODUCED BY COMPUTER, DO NOT SCALE DRAWING OR UPDATE MANUALLY.

SHEET 1 OF 1	DRAWING NO. 25-7300-CUST	SIZE A
-----------------	------------------------------------	------------------

5

4

3

2

1

X-ON Electronics

Largest Supplier of Electrical and Electronic Components

Click to view similar products for [RF Connectors / Coaxial Connectors](#) category:

Click to view products by [Bel Fuse](#) manufacturer:

Other Similar products are found below :

[8915-1511-000](#) [89674-0827](#) [6001-7071-019](#) [6002-7051-003](#) [6002-7551-202](#) [6059674-1](#) [619550-1](#) [630059-000](#) [M39030/3-01N](#) [6500-7071-046](#) [6769](#) [CX050L2AQ](#) [7002-1541-010](#) [7002-1542-011](#) [7004-1512-000](#) [7009-1511-004](#) [7010-1511-000](#) [7029-1511-060](#) [7101-1541-010](#) [7101-1571-002](#) [7145-1521-002](#) [7203-1571-003](#) [7209-1511-011](#) [7210-1511-015](#) [7210-1511-019](#) [73137-5015](#) [73216-2241](#) [73404-2300](#) [7405-1521-005](#) [7405-1521-802](#) [8527](#) [8547](#) [FS11V](#) [877931](#) [8808-1511-001](#) [9049-9513-000](#) [9074-9513-000](#) [9101-9573-002](#) [910A205F](#) [9130-9573-002](#) [PL11SC-026](#) [PL375-33](#) [PL40-5](#) [PL74C-221](#) [PL75MC-217](#) [PL803-7](#) [1200690078](#) [1-201144-1](#) [R107003010W](#) [R110A172100](#)