



DESCRIPTION: F JACK SIDE EDGE, PCB MOUNT

MODEL NUMBER: 25-7630

APPLICATION: PCB MOUNT

CRIMP TOOL: N/A

IMPEDANCE: 75 OHM

FREQUENCY RANGE: 0-1 GHz

RETURN LOSS: 34dB (0-250MHz)

23dB (250-750MHz)

19dB (750~1GHz)

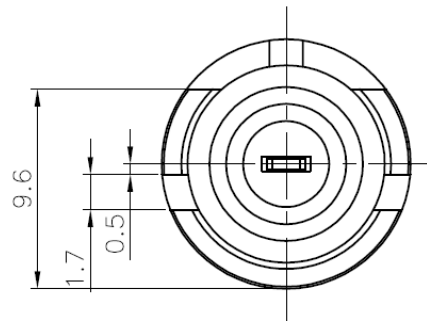
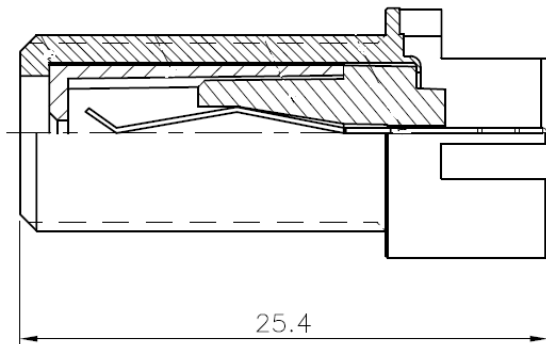
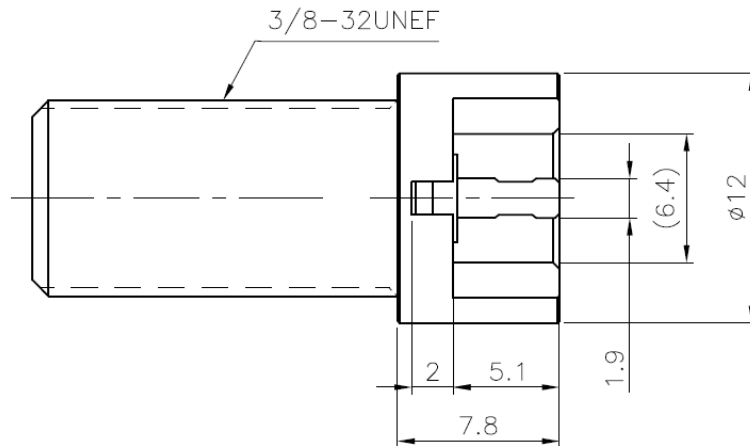
MATERIAL: BODY BRASS SN PLATED

INSULATOR PP

CONTACT PHOS. BRNZ SN PLATED

RoHS COMPLIANCE: YES

TECHNICAL DETAIL: REFET TO EMERSON DOCUMENT 25-0000



		AIM-Cambridge	
	RoHS 2002/95/EC	Title: (CPF61SE) F Jack side edge, PCB Mount	
<small>This PROPRIETARY Document is property of Emerson Network Power, Connectivity Solutions. It is confidential in nature, non-transferable, and issued with the clear understanding that it is not traced or copied without permission and is reparable upon demand.</small>	<small>UNLESS OTHERWISE SPECIFIED UNITS: METRIC</small>	Model No. 25-7630	
<small>INTERPRET DRAWING IN ACCORDANCE WITH ASME Y14.5-2009.</small>	.XX ±.51 .XXX ±.127 ANGLES ±2°	Size A	DO NOT SCALE DRAWING Date: 10/16/2013
			Sheet 1 of 1

X-ON Electronics

Largest Supplier of Electrical and Electronic Components

Click to view similar products for [RF Connectors / Coaxial Connectors](#) category:

Click to view products by [Bel Fuse](#) manufacturer:

Other Similar products are found below :

[8915-1511-000](#) [89674-0827](#) [6001-7071-019](#) [6002-7051-003](#) [6002-7551-202](#) [6059674-1](#) [619550-1](#) [630059-000](#) [M39030/3-01N](#) [6500-7071-046](#) [6769](#) [CX050L2AQ](#) [7002-1541-010](#) [7002-1542-011](#) [7004-1512-000](#) [7009-1511-004](#) [7010-1511-000](#) [7029-1511-060](#) [7101-1541-010](#) [7101-1571-002](#) [7145-1521-002](#) [7203-1571-003](#) [7209-1511-011](#) [7210-1511-015](#) [7210-1511-019](#) [73137-5015](#) [73216-2241](#) [73404-2300](#) [7405-1521-005](#) [7405-1521-802](#) [8527](#) [8547](#) [FS11V](#) [877931](#) [9049-9513-000](#) [9074-9513-000](#) [9101-9573-002](#) [910A205F](#) [9130-9573-002](#) [PL11SC-026](#) [PL375-33](#) [PL40-5](#) [PL74C-221](#) [PL75MC-217](#) [PL803-7](#) [980-8666-005](#) [1200690078](#) [1-201144-1](#) [R107003010W](#) [R110A172100](#)