

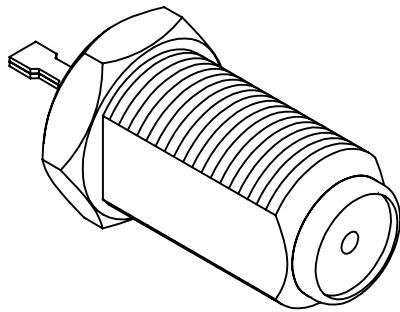
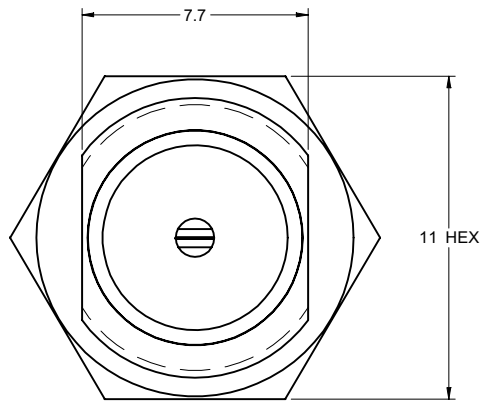
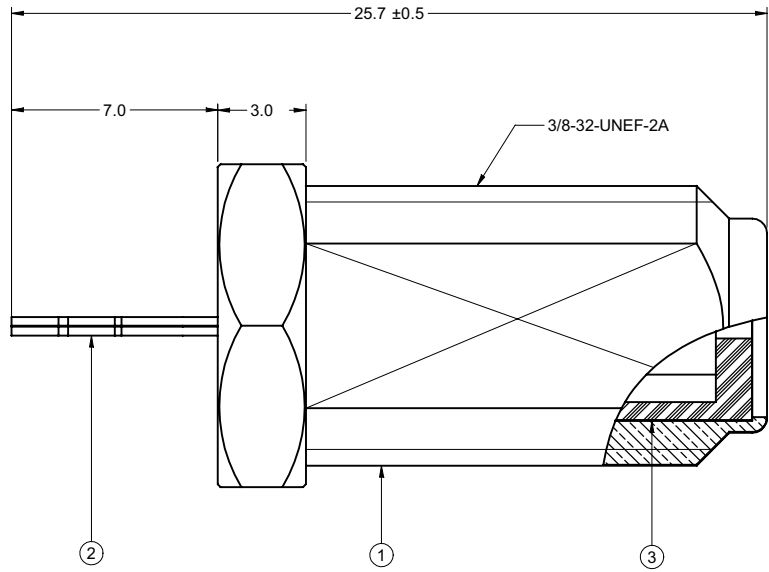
PART NUMBER	ITEM ① BODY	ITEM ② CONTACT	ITEM ③ INSULATOR
25-7635	BRASS NICKEL PLATED	BRASS NICKEL PLATED	PP

**受控 CONTROLLED DOCUMENT**

编号 P/N	25-7635	版本 Rev	0C	日期 Rel'd Date	Mar 24, 08
-----------	---------	-----------	----	------------------	------------

DRAWING NO. 25-7635	
<b>REVISIONS</b>	
A	RELEASE FOR QUOTATION 08-10-06 L Y T
B	ADD RoHS AND PACKAGING NOTES. 10-23-06 L Y T
C	UPDATE THE NOTE 07-06-07 L Z T

Thomas Chow  
2007.08.17  
15:05:38  
+08'00'



NOTES:  
TECHNICAL REQUIREMENT REFER TO EMERSON NET WORK POWER CONNECTIVITY SOLUTIONS DOCUMENT P/N 25-0000.

THIS DRAWING TO BE INTERPRETED  
PER ANSI Y 14.5M - 1994  
**COMPANY CONFIDENTIAL**

TOLERANCE UNLESS OTHERWISE SPECIFIED		DRAWN BY LINDA.WU		DATE 07-06-07	
DECIMALS	mm	CHECKED BY GARY.ZHG		DATE 07-06-07	
X	± 0.5	APPROVED BY THOMAS		DATE 08-07-07	
X.X	± 0.2				
X.XX	± 0.1				
ANGLES	± 0.5°	U/M	mm		

TITLE F FEMALE SOLDER CHASIS MT	
SHEET 1 OF 1	DRAWING NO. 25-7635
SIZE C	

THIS DRAWING WAS PRODUCED BY COMPUTER, DO NOT SCALE DRAWING OR UPDATE MANUALLY.

## X-ON Electronics

Largest Supplier of Electrical and Electronic Components

*Click to view similar products for [RF Connectors / Coaxial Connectors](#) category:*

*Click to view products by [Bel Fuse](#) manufacturer:*

Other Similar products are found below :

[8915-1511-000](#) [89674-0827](#) [6001-7071-019](#) [6002-7051-003](#) [6002-7551-202](#) [6059674-1](#) [619550-1](#) [630059-000](#) [M39030/3-01N](#) [6500-7071-046](#) [6769](#) [CX050L2AQ](#) [7002-1541-010](#) [7002-1542-011](#) [7004-1512-000](#) [7009-1511-004](#) [7010-1511-000](#) [7029-1511-060](#) [7101-1541-010](#) [7101-1571-002](#) [7145-1521-002](#) [7203-1571-003](#) [7209-1511-011](#) [7210-1511-015](#) [7210-1511-019](#) [73137-5015](#) [73216-2241](#) [73404-2300](#) [7405-1521-005](#) [7405-1521-802](#) [8527](#) [8547](#) [FS11V](#) [877931](#) [9049-9513-000](#) [9074-9513-000](#) [9101-9573-002](#) [910A205F](#) [9130-9573-002](#) [PL11SC-026](#) [PL375-33](#) [PL40-5](#) [PL74C-221](#) [PL75MC-217](#) [PL803-7](#) [980-8666-005](#) [1200690078](#) [1-201144-1](#) [R107003010W](#) [R110A172100](#)