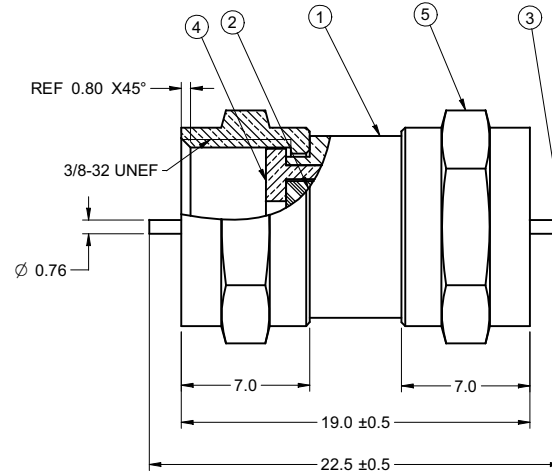
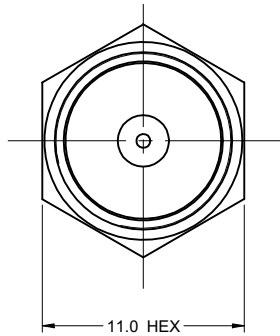


| | | | | | |
|-------------|------------------------|---------------------|------------------------|------------------------|------------------------|
| PART NUMBER | ITEM ① BODY | ITEM ② INSULATOR | ITEM ③ CONTACT | ITEM ④ INSERT | ITEM ⑤ NUT |
| 25-7640 | BRASS NICKEL PLATED | DELRIN | BRASS NICKEL PLATED | BRASS NICKEL PLATED | BRASS NICKEL PLATED |

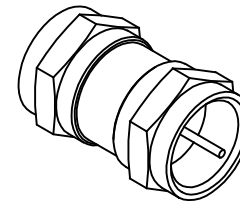
| | | | |
|------------------------|--------|--------|--|
| DRAWING NO. 25-7640 | | | |
| REVISIONS | | | |
| 01 OFFICIAL RELEASE | | | |
| 08-17-09 | T W | Z G | T T <i>Betty</i> 2008.08.08 08:27:09 - 16:00 |



| | | | | | |
|-------------------------------|---------|-----------|----|------------------|------------|
| 受控 CONTROLLED DOCUMENT | | | | | |
| 编号 P/N | 25-7640 | 版本 Rev | 01 | 日期 Rel'd Date | SEP 14, 09 |

NOTES:

1. TECHNICAL DETAIL: REFER TO EMERSON DOCUMENT P/N 25-0000



THIS DRAWING TO BE INTERPRETED
PER ANSI Y 14.5M - 1994

COMPANY CONFIDENTIAL

| | | | |
|--------------------------------------|--------|------------------------|------------------|
| TOLERANCE UNLESS OTHERWISE SPECIFIED | | DRAWN BY TERRY.W | DATE 08-17-09 |
| DECIMALS | mm | CHECKED BY GARY.ZHG | DATE 08-17-09 |
| X | ± 0.5 | APPROVED BY THOMAS | DATE 08-17-09 |
| X.X | ± 0.2 | U/M | mm |
| X.XX | ± 0.1 | | |
| ANGLES | ± 0.5° | | |

| | | | |
|--|------------------------|-------------------------------|--|
| EMERSON Network Power | | Connectivity Solutions | |
| TITLE F-71 MALE TO MALE INLINE SPLICE | | | |
| SHEET 1 OF 1 | DRAWING NO. 25-7640 | SIZE C | |

THIS DRAWING WAS PRODUCED BY COMPUTER,
DO NOT SCALE DRAWING OR UPDATE MANUALLY.

X-ON Electronics

Largest Supplier of Electrical and Electronic Components

Click to view similar products for [RF Adapters - In Series](#) category:

Click to view products by [Bel Fuse](#) manufacturer:

Other Similar products are found below :

[5916-1103-603](#) [5919-1503-000](#) [5919-9503-000](#) [651A505](#) [82-5552](#) [9030-9523-502](#) [PN2C](#) [A0407000](#) [R114703000W](#) [R125771001](#)
[R127871001](#) [R141710000W](#) [R141723161](#) [R141730000](#) [R143730700](#) [R143770000](#) [R161703000W](#) [R161753000W](#) [R161791530W](#)
[R201705000](#) [R222705200](#) [R222M40010W](#) [R223703180](#) [R316754000](#) [R405006000](#) [R443162000](#) [AD78TL](#) [HRM-513S](#) [1996352-2](#)
[2157155-1](#) [252169-75](#) [AD158](#) [2101130-1](#) [252186](#) [R114704000W](#) [R114720000W](#) [R125705001](#) [R125705701](#) [R125771000](#) [R125771001W](#)
[R127704001](#) [R127.870.001](#) [R127872001](#) [R141717000](#) [R142710000](#) [R142723000](#) [R143703000](#) [R143704000](#) [R143705700](#) [R143710000](#)