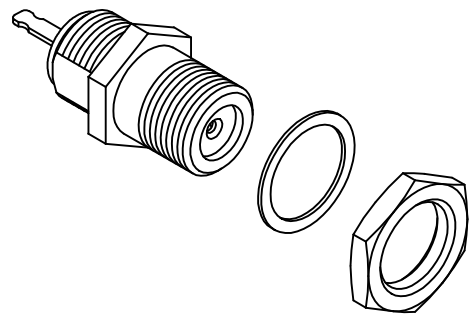
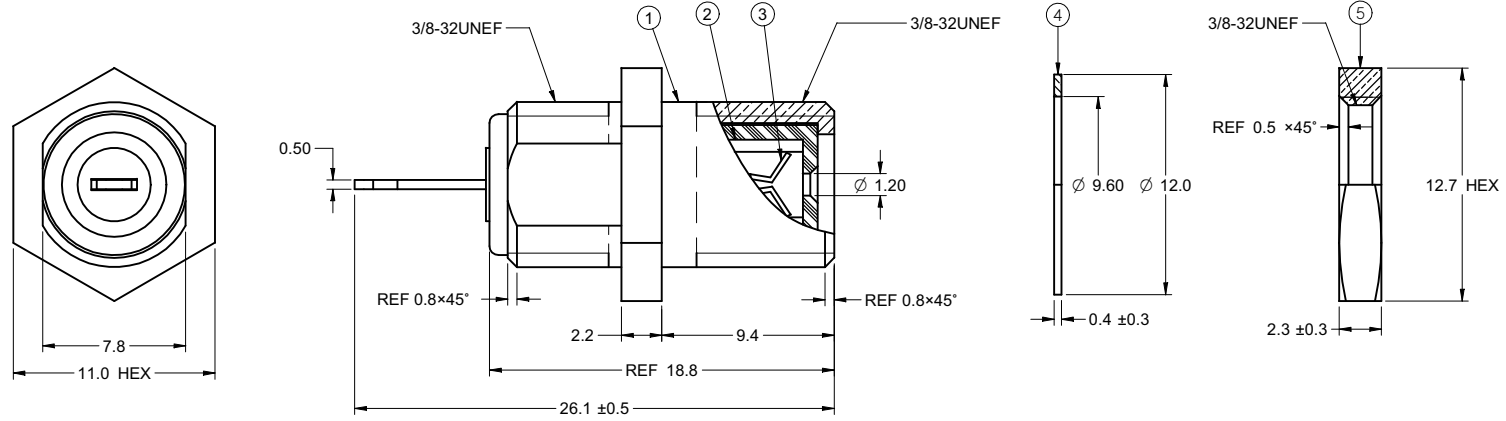


	5			4			2		1
PART NUMBER	ITEM ① BODY	ITEM ② INSULATOR	ITEM ③ CONTACT	ITEM ④ WASHER	ITEM ⑤ NUT				
25-7660	BRASS NICKEL PLATED	PE	P BRONZE TIN PLATED	BRASS NICKEL PLATED	STEEL NICKEL PLATED				

DRAWING NO. 25-7660	
REVISIONS	
01	OFFICIAL RELEASE 08-17-09
	2009.09.0 08.09.10.15 Betty 08/00



受控 CONTROLLED DOCUMENT					
编号 P/N	25-7660	版本 Rev	01	日期 Rel'd Date	SEP 14, 09

NOTES:
1. TECHNICAL DETAIL: REFER TO EMERSON DOCUMENT P/N 25-0000

THIS DRAWING TO BE INTERPRETED
PER ANSI Y 14.5M - 1994
COMPANY CONFIDENTIAL

TOLERANCE UNLESS OTHERWISE SPECIFIED		DRAWN BY BETTY.YU	DATE 08-17-09	Connectivity Solutions TITLE F-61 AD CHASSIS MT. FEMALE
DECIMALS	mm	CHECKED BY BETTY.YU	DATE 08-17-09	
X	± 0.5	APPROVED BY THOMAS	DATE 08-17-09	
X.X	± 0.2	U/M	mm	
X.XX	± 0.1			
ANGLES	± 0.5°			SHEET 1 OF 1 DRAWING NO. 25-7660 SIZE C
THIS DRAWING WAS PRODUCED BY COMPUTER, DO NOT SCALE DRAWING OR UPDATE MANUALLY.				

X-ON Electronics

Largest Supplier of Electrical and Electronic Components

Click to view similar products for [RF Connectors / Coaxial Connectors](#) category:

Click to view products by [Bel Fuse](#) manufacturer:

Other Similar products are found below :

[8915-1511-000](#) [89674-0827](#) [6001-7071-019](#) [6002-7051-003](#) [6002-7551-202](#) [6059674-1](#) [619550-1](#) [630059-000](#) [M39030/3-01N](#) [6500-7071-046](#) [6769](#) [CX050L2AQ](#) [7002-1541-010](#) [7002-1542-011](#) [7004-1512-000](#) [7009-1511-004](#) [7010-1511-000](#) [7029-1511-060](#) [7101-1541-010](#) [7101-1571-002](#) [7145-1521-002](#) [7203-1571-003](#) [7209-1511-011](#) [7210-1511-015](#) [7210-1511-019](#) [73137-5015](#) [73216-2241](#) [73404-2300](#) [7405-1521-005](#) [7405-1521-802](#) [8527](#) [8547](#) [FS11V](#) [877931](#) [8808-1511-001](#) [9049-9513-000](#) [9074-9513-000](#) [9101-9573-002](#) [910A205F](#) [9130-9573-002](#) [PL11SC-026](#) [PL375-33](#) [PL40-5](#) [PL74C-221](#) [PL75MC-217](#) [PL803-7](#) [1200690078](#) [1-201144-1](#) [R107003010W](#) [R110A172100](#)