

5

4

3

2

1

D

C

B

A



Description: N (F) Solder RG8,11 & 213
 Part No: 26-8002
 Application: RG8,11 & 213
 Crimp Tool: N/A
 Impedance: 50Ohm
 Frequency Range: N/A
 Material:

Body	Brass	Nickel Plated
Nut	Brass	Nickel Plated
Washer	Brass	Nickel Plated
Clamp	Brass	Nickel Plated
Gasket	NBR	
Insulator	PTFE	
Contact	Bronze	Nickel Plated

DRAWING NO.
26-8002

REVISIONS

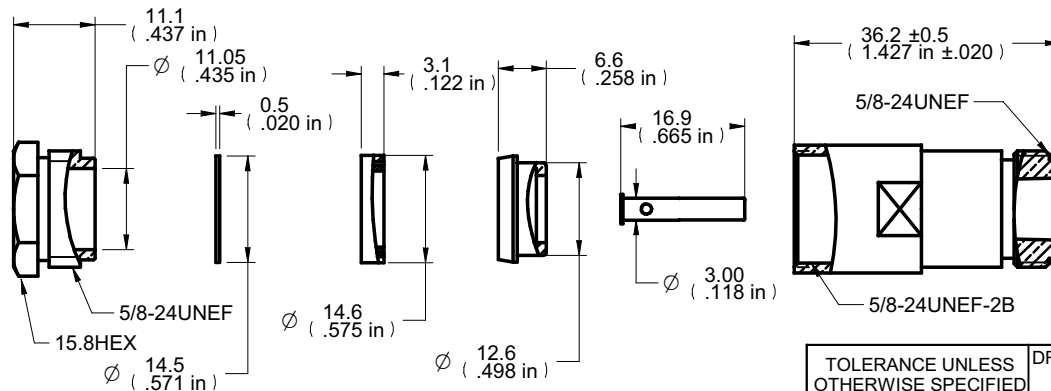
01	OFFICIAL RELEASE			
	08-05-09	I	W	H

Betty 2009.09.16
11:02:11
+0800©

受控 CONTROLLED DOCUMENT					
编号 P/N	26-8002-CUST	版本 Rev	01	日期 Rel'd Date	SEP 17,09

RoHS Compliance: Yes

Technical Detail: Refer to Emerson Document P/N 26-0000



DIM OUTLINE

TOLERANCE UNLESS OTHERWISE SPECIFIED		DRAWN BY IVON.W	DATE 08-05-09
DECIMALS	mm	CHECKED BY IVON.W	DATE 08-05-09
X	± 0.5	APPROVED BY THOMAS	DATE 08-05-09
X.X	± 0.3		
X.XX	± 0.1		
ANGLES	± 0.5°	U/M	mm

		TITLE	
		N (F) SOLDER RG8,11 & 213	

THIS DRAWING WAS PRODUCED BY COMPUTER,
DO NOT SCALE DRAWING OR UPDATE MANUALLY.

SHEET 1 OF 1	DRAWING NO. 26-8002	SIZE A
-----------------	------------------------	-----------

5

4

3

2

1

D

C

B

A

X-ON Electronics

Largest Supplier of Electrical and Electronic Components

Click to view similar products for [RF Connectors / Coaxial Connectors](#) category:

Click to view products by [Bel Fuse](#) manufacturer:

Other Similar products are found below :

[8915-1511-000](#) [89674-0827](#) [6001-7071-019](#) [6002-7051-003](#) [6002-7551-202](#) [6059674-1](#) [619550-1](#) [630059-000](#) [M39030/3-01N](#) [6500-7071-046](#) [6769](#) [CX050L2AQ](#) [7002-1541-010](#) [7002-1542-011](#) [7004-1512-000](#) [7009-1511-004](#) [7010-1511-000](#) [7029-1511-060](#) [7101-1541-010](#) [7101-1571-002](#) [7145-1521-002](#) [7203-1571-003](#) [7209-1511-011](#) [7210-1511-015](#) [7210-1511-019](#) [73137-5015](#) [73216-2241](#) [73404-2300](#) [7405-1521-005](#) [7405-1521-802](#) [8527](#) [8547](#) [FS11V](#) [877931](#) [9049-9513-000](#) [9074-9513-000](#) [9101-9573-002](#) [910A205F](#) [9130-9573-002](#) [PL11SC-026](#) [PL375-33](#) [PL40-5](#) [PL74C-221](#) [PL75MC-217](#) [PL803-7](#) [980-8666-005](#) [1200690078](#) [1-201144-1](#) [R107003010W](#) [R110A172100](#)