

5

4

3

2

1

受控 CONTROLLED DOCUMENT					
编号 P/N	26-8012-CUST	版本 Rev	01	日期 Rel'd Date	SEP 17,09

DRAWING NO.  
26-8012

REVISIONS

01	OFFICIAL RELEASE				Betty 2009.09.16 11:01:39 +0800
	08-05-09	I	W	T	

D

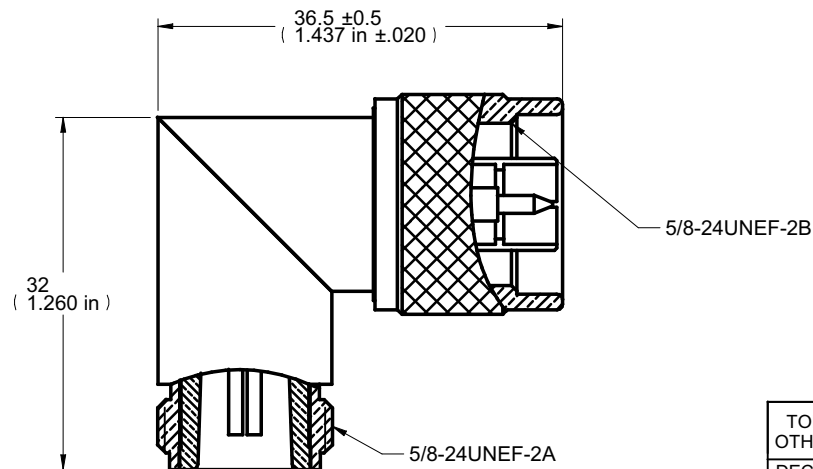


Description: N (M) TO N (F) RA UG-27/U  
 Part No: 26-8012  
 Application: Adapter  
 Crimp Tool: N/A  
 Impedance: N/A  
 Frequency Range: N/A  
 Material: Body Brass Nickel Plated  
 Nut Brass Nickel Plated  
 Insulator PTFE  
 Contact Brass Gold Plated  
 RoHS Compliance: Yes  
 Technical Detail: Refer to Emerson Document P/N 26-0000

C

B

A



**DIM OUTLINE**

CUSTOMER COPY

TOLERANCE UNLESS OTHERWISE SPECIFIED		DRAWN BY IVON.W	DATE 08-05-09
DECIMALS	mm	CHECKED BY IVON.W	DATE 08-05-09
X	± 0.5	APPROVED BY THOMAS	DATE 08-05-09
X.X	± 0.3		
X.XX	± 0.1		
ANGLES	± 0.5°	U/M	mm



TITLE  
N (M) TO N (F) RA UG-27/U

THIS DRAWING WAS PRODUCED BY COMPUTER,  
DO NOT SCALE DRAWING OR UPDATE MANUALLY.

SHEET 1 OF 1	DRAWING NO. 26-8012	SIZE A
-----------------	------------------------	-----------

5

4

3

2

1

## X-ON Electronics

Largest Supplier of Electrical and Electronic Components

*Click to view similar products for [RF Adapters - In Series category:](#)*

*Click to view products by [Bel Fuse manufacturer:](#)*

Other Similar products are found below :

[5916-1103-603](#) [5919-1503-000](#) [651A505](#) [82-5552](#) [9030-9523-502](#) [PN2C](#) [A0407000](#) [R114703000W](#) [R125771001](#) [R127871001](#)  
[R141710000W](#) [R141723161](#) [R141730000](#) [R143730700](#) [R143770000](#) [R161703000W](#) [R161753000W](#) [R161791530W](#) [R201705000](#)  
[R222705200](#) [R222M40010W](#) [R223703180](#) [R316754000](#) [R405006000](#) [R443162000](#) [AD78TL](#) [HRM-513S](#) [1996352-2](#) [2157155-1](#) [252169-75](#)  
[AD158](#) [2101130-1](#) [252186](#) [R114704000W](#) [R114720000W](#) [R125705001](#) [R125705701](#) [R125771000](#) [R125771001W](#) [R127704001](#)  
[R127.870.001](#) [R127872001](#) [R141717000](#) [R142710000](#) [R142723000](#) [R143703000](#) [R143704000](#) [R143705700](#) [R161771000W](#) [R176754000](#)