

5

4

3

2

1

DRAWING NO.
27-8100-CUST

REVISIONS

OFFICAL RELEASE

01

2009.09.0
8.09.23.09
Betty +0800G

08-25-09

T

W

B

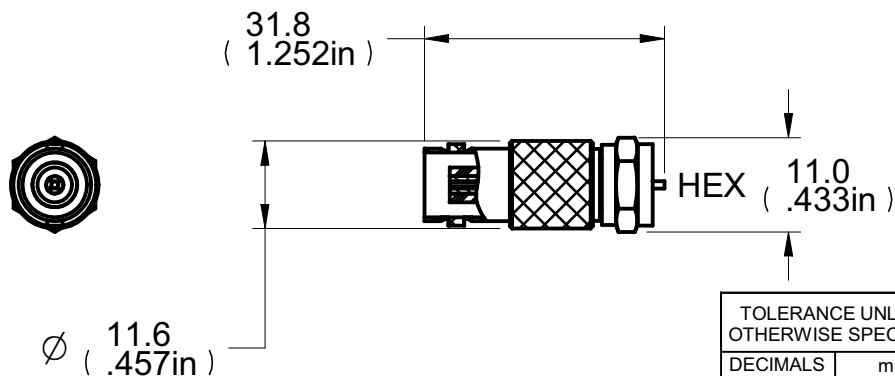
Y

T

Description: BNC Jack to F Plug Adapter
 Part No: 27-8100
 Application: Adapter
 Crimp Tool: N/A
 Impedance: 75 Ohms
 Fequency Range: 0-500 MHz
 Material: Body Brass Nickel Plated
 Contact Brass Gold Plated
 Insulator Derlin
 Crimp Sleeve Brass Nickel Plated
 Coupling Nut Zinc Nickel Plated
 RoHS Compliance: Yes
 Technical Detail: Refer to Emerson Document P/N 27-0000&29-0000



受控 CONTROLLED DOCUMENT					
编号 P/N	27-8100-CUST	版本 Rev	01	日期 Rel'd Date	SEP 14, 09



DIM OUTLINE

TOLERANCE UNLESS OTHERWISE SPECIFIED		DRAWN BY	DATE
DECIMALS	mm	TERRY.W	08-25-09
X	± 0.5	CHECKED BY	DATE
X.X	± 0.3	TERRY.W	08-25-09
X.XX	± 0.1	APPROVED BY	DATE
ANGLES	± 0.5°	THOMAS	08-25-09
		U/M	mm

CUSTOMER COPY



TITLE
BNC JACK TO F PLUG ADAPTER

THIS DRAWING WAS PRODUCED BY COMPUTER, DO NOT SCALE DRAWING OR UPDATE MANUALLY.

SHEET
1 OF 1

DRAWING NO.
27-8100-CUST

SIZE
A

5

4

3

2

1

X-ON Electronics

Largest Supplier of Electrical and Electronic Components

Click to view similar products for [RF Adapters - In Series category:](#)

Click to view products by [Bel Fuse manufacturer:](#)

Other Similar products are found below :

[5916-1103-603](#) [5919-1503-000](#) [651A505](#) [82-5552](#) [9030-9523-502](#) [PN2C](#) [A0407000](#) [R114703000W](#) [R125771001](#) [R141710000W](#)
[R141723161](#) [R141730000](#) [R143730700](#) [R143770000](#) [R161703000W](#) [R161753000W](#) [R161791530W](#) [R201705000](#) [R222705200](#)
[R222M40010W](#) [R223703180](#) [R316754000](#) [R405006000](#) [R443162000](#) [AD78TL](#) [HRM-513S](#) [1996352-2](#) [2157155-1](#) [252169-75](#) [AD158](#)
[2101130-1](#) [252186](#) [R114704000W](#) [R114720000W](#) [R125705001](#) [R125705701](#) [R125771000](#) [R125771001W](#) [R127704001](#) [R127.870.001](#)
[R127872001](#) [R141717000](#) [R142710000](#) [R142723000](#) [R143703000](#) [R143704000](#) [R143705700](#) [R161715000W](#) [R161771000W](#) [R176754000](#)