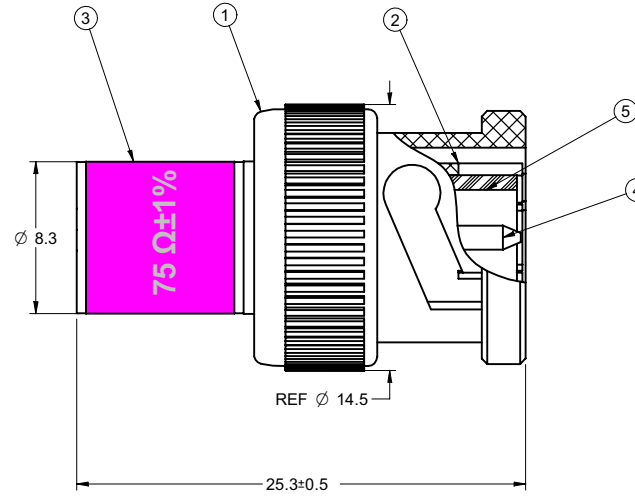
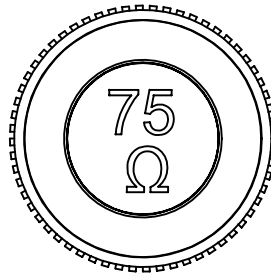


	5			4				3		2		1
PART NUMBER	ITEM ① NUT	ITEM ② BODY	ITEM ③ LABEL	ITEM ④ CONTACT	ITEM ⑤ INSULATOR							
27-9007	ZINC NICKEL PLATED	BRASS NICKEL PLATED	SELF ADHESIVE PE	BRASS GOLD PLATED	DELTRIN							

受控 CONTROLLED DOCUMENT			
编号 P/N	27-9007	版本 Rev	01
日期 Rel'd Date	May8,09		

DRAWING NO. 27-9007	
REVISIONS	
01	OFFICIAL RELEASE
04-13-09	G L T Z W

Thomas Chow
2009.05.04
14:41:14
+08'00'



NOTES:

1. IMPEDANCE: 75 OHMS NOMINAL
2. FREQUENCY RANGE: 0-1 GHZ
3. RESISTOR: 75Ω±1%, 0.5W
4. RECOMMENDED TEMPERATURE RANGE: -55 °C TO +85 °C
5. LABEL: PURPLE BACKGROUND GRAY WORDS (75 Ω±1%).
6. FURTHER TECHNICAL DETAIL: REFER TO EMERSON DOCUMENT P/N 27-0000

THIS DRAWING TO BE INTERPRETED
PER ANSI Y 14.5M - 1994

COMPANY CONFIDENTIAL

TOLERANCE UNLESS OTHERWISE SPECIFIED		DRAWN BY GARY.ZHG	DATE 04-13-09
DECIMALS	mm	CHECKED BY LINDA.WU	DATE 04-13-09
X	± 0.5	APPROVED BY THOMAS	DATE 04-13-09
X.X	± 0.2		
X.XX	± 0.1		
ANGLES	± 0.5°	U/M	mm

 cinch <small>CONNECTIVITY SOLUTIONS</small> <small>a bel group</small>	
TITLE BNC TERMINATOR 75 OHM	

THIS DRAWING WAS PRODUCED BY COMPUTER,
DO NOT SCALE DRAWING OR UPDATE MANUALLY.

SHEET 1 OF 1	DRAWING NO. 27-9007	SIZE C
-----------------	------------------------	-----------

X-ON Electronics

Largest Supplier of Electrical and Electronic Components

Click to view similar products for [RF Terminators](#) category:

Click to view products by [Bel Fuse](#) manufacturer:

Other Similar products are found below :

[M390303-02N](#) [M39030/3-04S](#) [M39030/3-09S](#) [M39030/3-11N](#) [TNG1-9-78-D3](#) [TNA2-50](#) [TNG1-6-78](#) [TNH1-1-50](#) [R404280000](#) [TNGFL1-1-78](#) [R4042N5000](#) [53S1RR-001N3](#) [142275](#) [56S1RR-001N4](#) [65_BNC-50-0-7/133_NE](#) [71S1RR-001N4](#) [02S17R-001D3](#) [R404240120](#) [R404260000](#) [HT-10-2](#) [FL LCX 50-OHM-RSMA](#) [M39030/3-04N](#) [TNA1-6-50](#) [131-3801-811](#) [TNA1-1-50](#) [65_N-50-0-51/113_NE](#) [65_BNC-50-0-2/133_NE](#) [65_N-50-0-1/133_NE](#) [65002_N-50-1/122_NE](#) [65_MMCX-50-0-31/111_OE](#) [18K15R-0.5E3](#) [2702702](#) [TRM-2161-M0-35M-02](#) [53S17R-001N3](#) [1100.19.0001](#) [6701.01.B](#) [18S24H-40ML5](#) [TRM-2053-M0-NNN-02](#) [R404759000](#) [M39030/6-02N](#) [TRM-2053-MC-NNN-02](#) [M39030/3-03S](#) [SF8012-6009](#) [6701.01.A](#) [65_MCX-50-0-4/111_NE](#) [65_716-50-0-2/003_-E](#) [65_SMB-50-0-1/111_NE](#) [M39030/3-12N](#) [82-5722-RFX](#) [8018-6174](#)