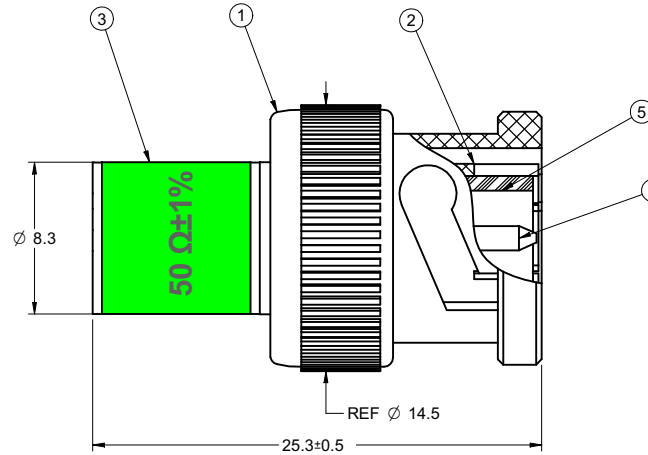
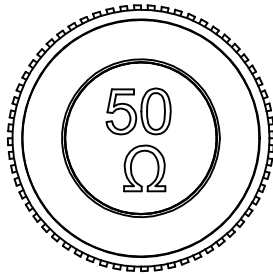


PART NUMBER	ITEM ① NUT	ITEM ② BODY	ITEM ③ LABEL	ITEM ④ CONTACT	ITEM ⑤ INSULATOR
27-9008	ZINC NICKEL PLATED	BRASS NICKEL PLATED	SELF ADHESIVE PE	BRASS GOLD PLATED	DELRIN

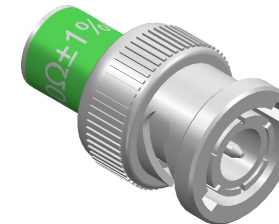
DRAWING NO. 27-9008				
REVISIONS				
01	OFFICIAL RELEASE	2009.09.09 0818-09.22 +030002		
08-18-09	L	L	T	H



受控 CONTROLLED DOCUMENT				
编号 P/N	27-9008	版本 Rev	01	日期 Rel'd Date
				SEP 14, 09

NOTES:

1. IMPEDANCE: 50 OHMS NOMINAL
2. FREQUENCY RANGE: 0-1 GHz
3. RECOMMENDED TEMPERATURE RANGE: -55 °C TO +85°C
4. FURTHER TECHNICAL DETAIL: REFER TO EMERSON DOCUMENT P/N 27-0000
5. LABEL: GREEN BACKGROUND GRAY WORDS (50 Ω±1%)



THIS DRAWING TO BE INTERPRETED  
PER ANSI Y 14.5M - 1994

**COMPANY CONFIDENTIAL**

TOLERANCE UNLESS OTHERWISE SPECIFIED		DRAWN BY LINDA.WU	DATE 08-18-09
DECIMALS	mm	CHECKED BY LINDA.WU	DATE 08-18-09
X	± 0.5	APPROVED BY THOMAS	DATE 08-18-09
X.X	± 0.2		
X.XX	± 0.1		
ANGLES	± 0.5°	U/M mm	⊕

	
TITLE CP88T50 BNC(M) 50TERM, NO CHAIN	
SHEET 1 OF 1	DRAWING NO. 27-9008
SIZE C	

THIS DRAWING WAS PRODUCED BY COMPUTER,  
DO NOT SCALE DRAWING OR UPDATE MANUALLY.

SHEET 1 OF 1	DRAWING NO. 27-9008	SIZE C
-----------------	------------------------	-----------

## X-ON Electronics

Largest Supplier of Electrical and Electronic Components

*Click to view similar products for [RF Terminators](#) category:*

*Click to view products by [Bel Fuse](#) manufacturer:*

Other Similar products are found below :

[M390303-02N](#) [M39030/3-04S](#) [M39030/3-09S](#) [M39030/3-11N](#) [TNG1-9-78-D3](#) [TNA2-50](#) [TNG1-6-78](#) [TNH1-1-50](#) [R404280000](#) [TNGFL1-1-78](#) [R4042N5000](#) [53S1RR-001N3](#) [142275](#) [56S1RR-001N4](#) [65\\_BNC-50-0-7/133\\_NE](#) [71S1RR-001N4](#) [02S17R-001D3](#) [R404240120](#) [R404260000](#) [HT-10-2](#) [FL LCX 50-OHM-RSMA](#) [M39030/3-04N](#) [TNA1-6-50](#) [131-3801-811](#) [TNA1-1-50](#) [65\\_N-50-0-51/113\\_NE](#) [65\\_BNC-50-0-2/133\\_NE](#) [65\\_N-50-0-1/133\\_NE](#) [65002\\_N-50-1/122\\_NE](#) [65\\_MMCX-50-0-31/111\\_OE](#) [18K15R-0.5E3](#) [2702702](#) [TRM-2161-M0-35M-02](#) [53S17R-001N3](#) [1100.19.0001](#) [6701.01.B](#) [18S24H-40ML5](#) [TRM-2053-M0-NNN-02](#) [R404759000](#) [M39030/6-02N](#) [TRM-2053-MC-NNN-02](#) [M39030/3-03S](#) [SF8012-6009](#) [6701.01.A](#) [65\\_MCX-50-0-4/111\\_NE](#) [65\\_716-50-0-2/003\\_-E](#) [65\\_SMB-50-0-1/111\\_NE](#) [M39030/3-12N](#) [82-5722-RFX](#) [8018-6174](#)