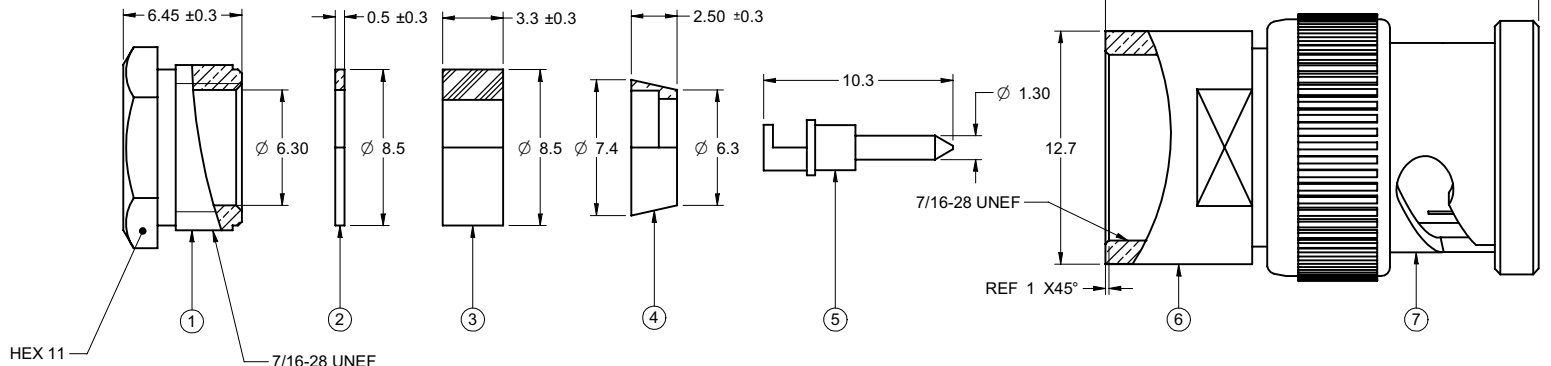


	5			4		3		2		1
PART NUMBER	ITEM ① NUT	ITEM ② WASHER	ITEM ③ GASKET	ITEM ④ TAPER COVER	ITEM ⑤ CONTACT	ITEM ⑥ BODY	ITEM ⑥ NUT			
27-9020	BRASS NICKEL PLATED	BRASS NICKEL PLATED	RUBBER NATURE	BRASS NICKEL PLATED	BRASS GOLD PLATED	BRASS NICKEL PLATED	ZINC NICKEL PLATED			

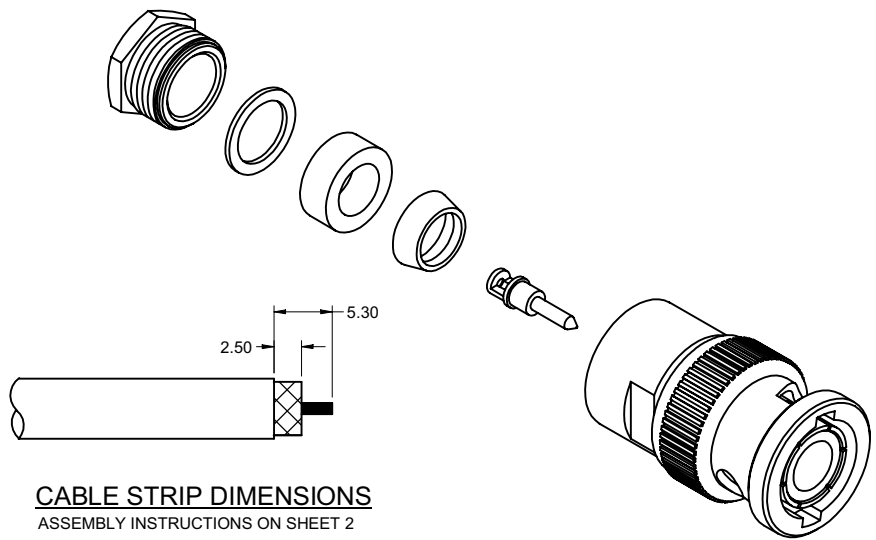
DRAWING NO. 27-9020	
REVISIONS	
A	RELEASE FOR QUATION 12-30-05 W W T
B	CHANGE SOME TOLERANCE; ADD 4&5 NOTES. 12-23-05 L Y T
C	RELAX CONTACT RESISTANCE 09-14-07 Z W T



受控 CONTROLLED DOCUMENT					
编号 P/N	27-9020	版本 Rev	0C	日期 Rel'd Date	Mar 24,08

NOTES:

- ELECTRICAL SPECIFICATIONS  
 IMPEDANCE: 50 OHMS NOMINAL  
 FREQUENCY RANGE: 0-4 GHz  
 WORKING VOLTAGE: 500 Vrms MAX AT SEA LEVEL  
 DIELECTRIC WITHSTANDING VOLTAGE: 1500 vrms AT SEA LEVEL  
 CORONA LEVEL: 375 VOLTS MINIMUM AT 70,000 FEET  
 CONTACT RESISTANCE: OUTER - NICKEL PLATED INITIAL 2.5 MILLIOHMS MAXIMUM  
 AFTER ENVIRONMENTAL 3.5 MILLIOHMS MAXIMUM  
 CENTER - INITIAL 3 MILLIOHMS MAXIMUM  
 AFTER ENVIRONMENTAL 4 MILLIOHMS MAXIMUM  
 BRAID TO BODY - 2.5 MILLIOHMS MAXIMUM (NICKEL PLATED),  
 AFTER ENVIRONMENTAL NOT APPLICABLE  
 INSULATION RESISTANCE: 5000 MEGOHMS MINIMUM
- MECHANICAL SPECIFICATIONS  
 DURABILITY: 500 CYCLES MIN  
 CABLE ACCEPTABILITY: RG59, RG62, UG260U  
 CABLE RETENTION: 30 lbs MIN
- ENVIRONMENTAL SPECIFICATIONS  
 RECOMMENDED TEMPERATURE RANGE: -55 °C TO +85 °C  
 MOISTURE RESISTANCE: MIL-STD-202
- PRODUCT SHOULD BE RoHS COMPLIANCE.
- PACKAGING REQUIREMENT FOLLOWS ENGINEER DOCUMENT P/N 836-40200001XX



THIS DRAWING TO BE INTERPRETED PER ANSI Y 14.5M - 1994

COMPANY CONFIDENTIAL

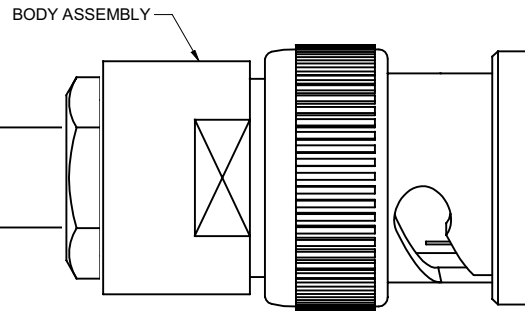
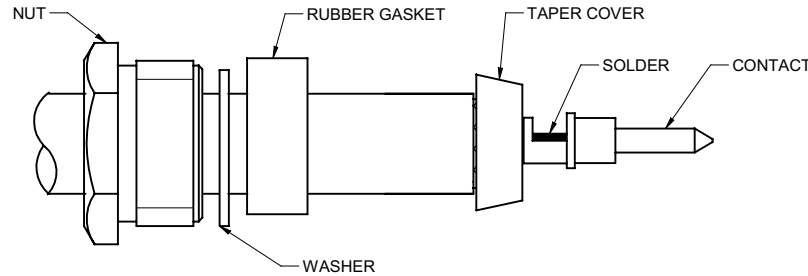
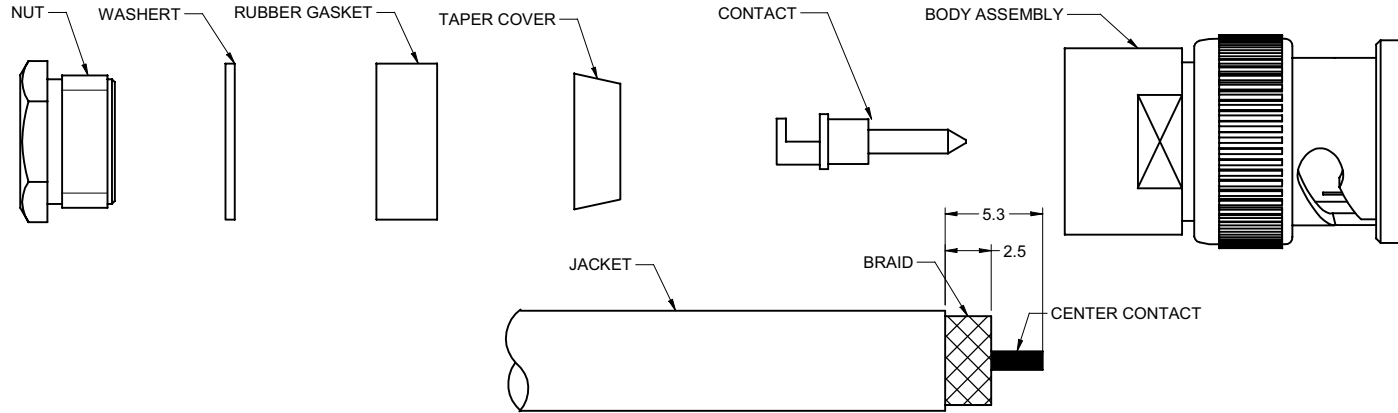
TOLERANCE UNLESS OTHERWISE SPECIFIED		DRAWN BY GARY.ZHG	DATE 09-14-07
DECIMALS	mm	CHECKED BY LINDA.WU	DATE 09-14-07
X	± 0.5	APPROVED BY THOMAS	DATE 10-14-07
X.X	± 0.2	U/M	mm
X.XX	± 0.1		
ANGLES	± 0.5°		

cinch CONNECTIVITY SOLUTIONS a bel group	
TITLE BNC STANDARD TYPE	
SHEET 1 OF 2	DRAWING NO. 27-9020
SIZE C	

THIS DRAWING WAS PRODUCED BY COMPUTER, DO NOT SCALE DRAWING OR UPDATE MANUALLY.

PART NUMBER	CABLE	TOOL
27-9020	RG-59&62 (UG-260U)	27-9020P

DRAWING NO.		27-9020	
REVISIONS			
RELEASE FOR QUOTATION			
A	12-30-05	W	W T
VERSION UPDATE			
B	12-23-06	L	Y T
VERSION UPDATE			
C	09-14-07	Z	L T



**ASSEMBLY INSTRUCTIONS**

1. TRIM CABLE AS SHOWN.TAKING CARE NOT TO NICK THE INNER CONDUCTOR OR BRAID.
2. RUN NUT, WASHER, RUBBER GASKET AND TAPER OVER THE CABLE, AND FLAIR THE FERRULE OVER THE BRAID.SOLDER THE CONTACT TO THE CENTER CONDUCTOR.
3. PUSH THE CENTER CONTACT HOME INTO THE BODY ASSY.,FELLING IT SNAP INTO PLACE,AND WITH ALL THE LOOSE COMPONENTS IN PLACE COMPLETE THE ASSEMBLY BY WRENCH TIGHTENING THE NUT.

<b>受控 CONTROLLED DOCUMENT</b>					
编号 P/N	27-9020	版本 Rev	0C	日期 Rel'd Date	Mar 24,08

TOLERANCE UNLESS OTHERWISE SPECIFIED		DRAWN BY GARY.ZHG	DATE 09-14-07
DECIMALS	mm	CHECKED BY LINDA.WU	DATE 09-14-07
X	± 0.5	APPROVED BY THOMAS	DATE 10-14-07
X.X	± 0.2		
X.XX	± 0.1		
ANGLES	± 0.5°	U/M	mm

THIS DRAWING WAS PRODUCED BY COMPUTER, DO NOT SCALE DRAWING OR UPDATE MANUALLY.

SHEET 2 OF 2		DRAWING NO. 27-9020	SIZE C
		TITLE BNC STANDARD TYPE	
		THIS DRAWING TO BE INTERPRETED PER ANSI Y 14.5M - 1994 <b>COMPANY CONFIDENTIAL</b>	

## X-ON Electronics

Largest Supplier of Electrical and Electronic Components

*Click to view similar products for [RF Connectors / Coaxial Connectors](#) category:*

*Click to view products by [Bel Fuse](#) manufacturer:*

Other Similar products are found below :

[8915-1511-000](#) [89674-0827](#) [6001-7071-019](#) [6002-7051-003](#) [6002-7551-202](#) [6059674-1](#) [619550-1](#) [630059-000](#) [M39030/3-01N](#) [6500-7071-046](#) [6769](#) [CX050L2AQ](#) [7002-1541-010](#) [7002-1542-011](#) [7004-1512-000](#) [7009-1511-004](#) [7010-1511-000](#) [7029-1511-060](#) [7101-1541-010](#) [7101-1571-002](#) [7145-1521-002](#) [7203-1571-003](#) [7209-1511-011](#) [7210-1511-015](#) [7210-1511-019](#) [73137-5015](#) [73216-2241](#) [73404-2300](#) [7405-1521-005](#) [7405-1521-802](#) [8527](#) [8547](#) [FS11V](#) [877931](#) [9049-9513-000](#) [9074-9513-000](#) [9101-9573-002](#) [910A205F](#) [9130-9573-002](#) [PL11SC-026](#) [PL375-33](#) [PL40-5](#) [PL74C-221](#) [PL75MC-217](#) [PL803-7](#) [980-8666-005](#) [1200690078](#) [1-201144-1](#) [R107003010W](#) [R110A172100](#)