

5

4

3

2

1

D



Description: BNC Male T-On RA RG58
 Part No: 27-9036
 Application: For RG58Cable
 Crimp Tool: N/A
 Impedance: 50 Ohm
 Frequency Range: 0-4 GHz
 Material: Body I Brass Nickel plated
 Body II Brass Nickel plated
 Coupling Nut Brass Nickel plated
 RoHS Compliance: Yes
 Technical Detail: Refer to Emerson Document P/N 27-0000

DRAWING NO.
27-9036-CUST

REVISIONS

01		OFFICIAL RELEASE				
10-21-09	Y	U	Y	T	H	
02		CHANGE DEMENSION 29.4 TO 27.05 CHANGE DEMENSION $\Phi 4.1$ TO $\Phi 4.7$ CHANGE BODY AND NUT MATERIAL FROM ZINC TO BRASS				
07-01-11	L	H	M			ECO-11-0127

D

C

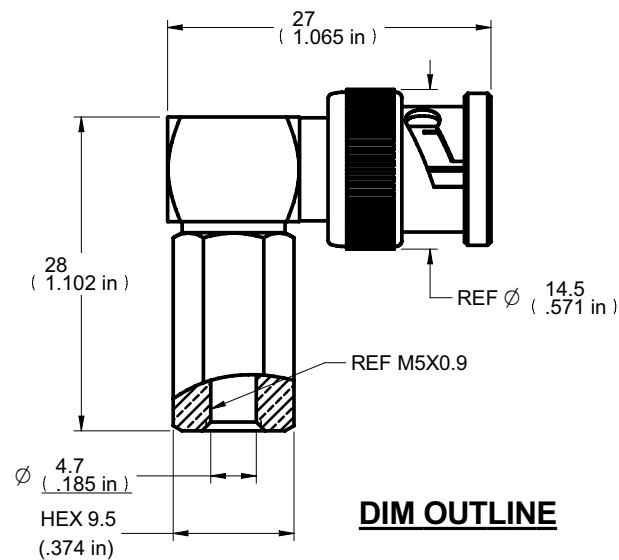
C

B

B

A

A



受控 CONTROLLED DOCUMENT

编号 P/N	版本 Rev	日期 Rel'd Date
27-9036-CUST	02	Aug8,11

CUSTOMER COPY

TOLERANCE UNLESS OTHERWISE SPECIFIED		DRAWN BY	DATE
DECIMALS	mm	Wencan Li	07-01-11
X	± 0.5	CHECKED BY	DATE
X.X	± 0.3	Hu Yuge	07-01-11
X.XX	± 0.1	APPROVED BY	DATE
ANGLES	$\pm 0.5^\circ$	Ma Lin	07-01-11
	U/M	mm	



TITLE
BNC MALE T-ON RA RG58

THIS DRAWING WAS PRODUCED BY COMPUTER,
DO NOT SCALE DRAWING OR UPDATE MANUALLY.

SHEET 1 OF 1
DRAWING NO. 27-9036-CUST
SIZE A

5

4

3

2

1

X-ON Electronics

Largest Supplier of Electrical and Electronic Components

Click to view similar products for [RF Connectors / Coaxial Connectors](#) category:

Click to view products by [Bel Fuse](#) manufacturer:

Other Similar products are found below :

[8915-1511-000](#) [89674-0827](#) [6001-7071-019](#) [6002-7051-003](#) [6002-7551-202](#) [6059674-1](#) [619550-1](#) [630059-000](#) [M39030/3-01N](#) [6500-7071-046](#) [6769](#) [CX050L2AQ](#) [7002-1541-010](#) [7002-1542-011](#) [7004-1512-000](#) [7009-1511-004](#) [7010-1511-000](#) [7029-1511-060](#) [7101-1541-010](#) [7101-1571-002](#) [7145-1521-002](#) [7203-1571-003](#) [7209-1511-011](#) [7210-1511-015](#) [7210-1511-019](#) [73137-5015](#) [73216-2241](#) [73404-2300](#) [7405-1521-005](#) [7405-1521-802](#) [8527](#) [8547](#) [FS11V](#) [877931](#) [8808-1511-001](#) [9049-9513-000](#) [9074-9513-000](#) [9101-9573-002](#) [910A205F](#) [9130-9573-002](#) [PL11SC-026](#) [PL375-33](#) [PL40-5](#) [PL74C-221](#) [PL75MC-217](#) [PL803-7](#) [1200690078](#) [1-201144-1](#) [R107003010W](#) [R110A172100](#)