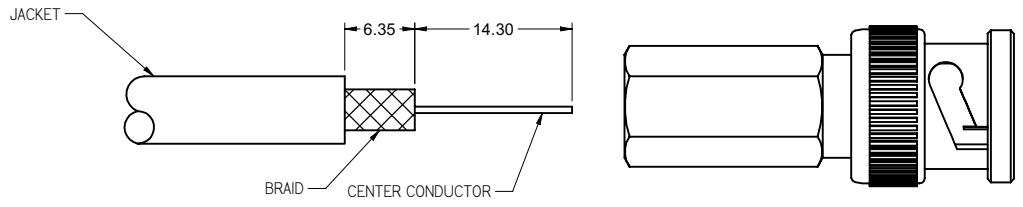


PART NUMBER	CABLE	WIRE GAUGE	WIRE DECIMAL	JACKET O.D.
27-9059	RG58 PLENUM	20	0.81	4.20-4.52

受控 CONTROLLED DOCUMENT

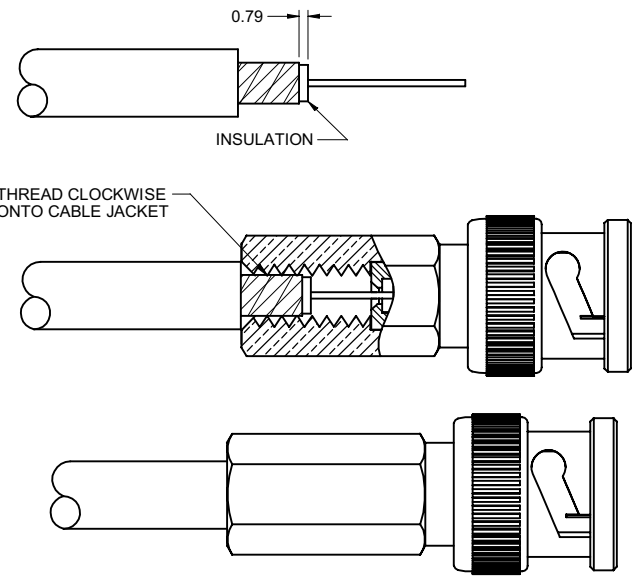
编号 P/N	27-9059	版本 Rev	0B	日期 Rel'd Date	Mar 24,08
-----------	---------	-----------	----	------------------	-----------

DRAWING NO. 27-9059	
REVISIONS	
A	RELEASE FOR QUATION 11-04-05
B	VERSION UPDATE 09-14-07



ASSEMBLY INSTRUCTIONS

- 1.IDENTIFY CONNECTOR PARTS. (1 PIECE)
- 2.TRIM CABLE AS SHOWN. TAKING CARE NOTTO NICK THE CENTER CONDUCTOR OR OUTER BRAID.
- 3.USE THE FINGERNAIL TO ROTATE THE OUTER BRAIDS CLOCKWISE SUCH THAT 1/32" OF THE INSULATION IS BARED. THEN IN THE SAME DIRECTION RUB THE STRAY BRAIDS FLAT. (STRAYOR LOOSE BRAIDS CAN CAUSE SHORTS.)
- 4.GENTLY INSERT THE CENTER CONDUCTOR DOWN THE BACK END OF THE CONNECTOR, FEEDING IT INTO THE GUIDE HOLE. (IF THE CENTER CONDUCTOR IS NOT IN PLACE, APPROXIMATELY 1/8" OF THE CENTER CONDUCTOR—THE PART CLOSEST TO THE DIELECTRIC —WILL STILL BE VIEWABLE.)
- 5.FIRMLY PUSH THE CABLE HOME (A SLIGHT CLOCKWISE TWIST MAY HELP WITH INSERTION). THEN SCREW THE CONNECTOR ON THE CABLE IN A CLOCKWISE DIRECTION UNTIL IT IS SNUGLY ATTACHED TO THE JACKET.



CABLE ASSEMBLY CAUTIONS:

- SERIES ARE DESIGNED FOR SOLID CENTER CONDUCTOR WIRE.

THIS DRAWING TO BE INTERPRETED PER ANSI Y 14.5M - 1994

COMPANY CONFIDENTIAL

TOLERANCE UNLESS OTHERWISE SPECIFIED		DRAWN BY GARY.ZHG	DATE 09-14-07
DECIMALS	mm	CHECKED BY LINDA.WU	DATE 09-14-07
X	± 0.5	APPROVED BY THOMAS	DATE 10-14-07
X.X	± 0.2		
X.XX	± 0.1		
ANGLES	± 0.5°	U/M	mm

EMERSON
Network Power

Connectivity Solutions

TITLE
BNC TWIST-ON FOR 58 TEFLON

THIS DRAWING WAS PRODUCED BY COMPUTER, DO NOT SCALE DRAWING OR UPDATE MANUALLY.		SHEET 2 OF 2	DRAWING NO. 27-9059	SIZE C
---	--	-----------------	------------------------	-----------

X-ON Electronics

Largest Supplier of Electrical and Electronic Components

Click to view similar products for [RF Connectors / Coaxial Connectors](#) category:

Click to view products by [Bel Fuse](#) manufacturer:

Other Similar products are found below :

[8915-1511-000](#) [89674-0827](#) [6001-7071-019](#) [6002-7051-003](#) [6002-7551-202](#) [6059674-1](#) [619550-1](#) [630059-000](#) [M39030/3-01N](#) [6500-7071-046](#) [6769](#) [CX050L2AQ](#) [7002-1541-010](#) [7002-1542-011](#) [7004-1512-000](#) [7009-1511-004](#) [7010-1511-000](#) [7029-1511-060](#) [7101-1541-010](#) [7101-1571-002](#) [7145-1521-002](#) [7203-1571-003](#) [7209-1511-011](#) [7210-1511-015](#) [7210-1511-019](#) [73137-5015](#) [73216-2241](#) [73404-2300](#) [7405-1521-005](#) [7405-1521-802](#) [8527](#) [8547](#) [FS11V](#) [877931](#) [8808-1511-001](#) [9049-9513-000](#) [9074-9513-000](#) [9101-9573-002](#) [910A205F](#) [9130-9573-002](#) [PL11SC-026](#) [PL375-33](#) [PL40-5](#) [PL74C-221](#) [PL75MC-217](#) [PL803-7](#) [1200690078](#) [1-201144-1](#) [R107003010W](#) [R110A172100](#)