

5

4

3

2

1

DRAWING NO.

27-9067

REVISIONS

01	OFFICIAL RELEASE					
	08-05-09	L	W	T	H	
02	OVERALL LENGTH FORM 31.8 TO 32.8 DETAIL DIMENSION UPDATED					
	06-30-11	L	H	M		ECO-11-0127

D



Description: CPAD356 TNC(F-F)CHAS MNT 1/2"

Part No: 27-9067

Application: Adaptor

Crimp Tool: N/A

Impedance: 50OHM

Frequency Range: 0-11 GHz

Material: Body Brass Nickel Plated

Nut Brass Nickel Plated

Insulator Delrin

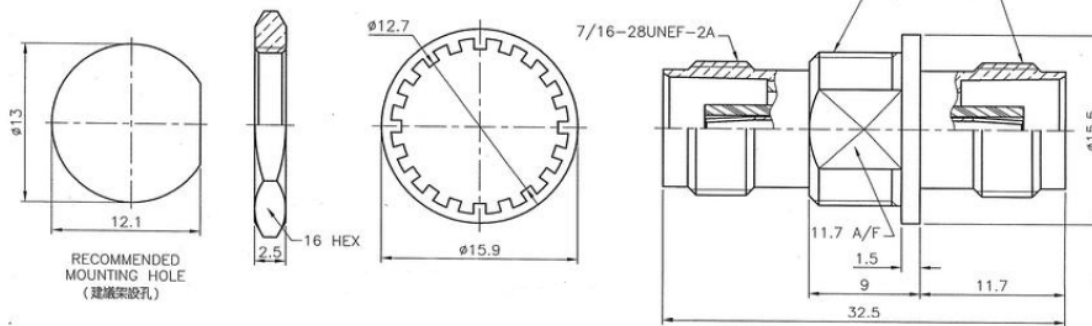
Contact Brass Gold Plated

RoHS Compliance: Yes

Technical Detail: Refer to Emerson Document P/N 28-0000

C

B



A

DIM OUTLINE

CUSTOMER COPY

TOLERANCE UNLESS OTHERWISE SPECIFIED		DRAWN BY Wencan Li	DATE 06-30-11
DECIMALS	mm	CHECKED BY Hu Yuge	DATE 06-30-11
X	+ 0.5	APPROVED BY Ma Lin	DATE 06-30-11
X.X	+ 0.3		
X.XX	+ 0.1		
ANGLES	+ 0.5-	U/M	mm



TITLE

CPAD356 TNC(F-F)CHAS MNT 1/2"

SHEET
1 OF 1DRAWING NO.
27-9067SIZE
ATHIS DRAWING WAS PRODUCED BY COMPUTER,
DO NOT SCALE DRAWING OR UPDATE MANUALLY.

5

4

3

2

1

X-ON Electronics

Largest Supplier of Electrical and Electronic Components

Click to view similar products for [RF Adapters - In Series](#) category:

Click to view products by [Bel Fuse](#) manufacturer:

Other Similar products are found below :

[5916-1103-603](#) [5919-1503-000](#) [5919-9503-000](#) [651A505](#) [82-5552](#) [9030-9523-502](#) [PN2C](#) [A0407000](#) [R114703000W](#) [R125771001](#)
[R127871001](#) [R141710000W](#) [R141723161](#) [R141730000](#) [R143730700](#) [R143770000](#) [R161703000W](#) [R161753000W](#) [R161791530W](#)
[R201705000](#) [R222705200](#) [R222M40010W](#) [R223703180](#) [R316754000](#) [R405006000](#) [R443162000](#) [AD78TL](#) [HRM-513S](#) [1996352-2](#)
[2157155-1](#) [252169-75](#) [AD158](#) [2101130-1](#) [252186](#) [R114704000W](#) [R114720000W](#) [R125705001](#) [R125705701](#) [R125771000](#) [R125771001W](#)
[R127704001](#) [R127.870.001](#) [R127872001](#) [R141717000](#) [R142710000](#) [R142723000](#) [R143703000](#) [R143704000](#) [R143705700](#) [R143710000](#)