

5

4

3

2

1

受控 CONTROLLED DOCUMENT					
编号 P/N	27-9069	版本 Rev	02	日期 Rel'd Date	Aug8,11

Description: CPAD355 TNC(F-F)Splice Adapter
 Part No: 27-9069
 Application: N/A
 Crimp Tool: N/A
 Impedance: 50 Ohm
 Frequency Range: 0-11 GHz
 Material: Body Brass Nickel Plated
 Insulator TPX
 Contact Phosphor Bronze
 Gold Plated
 Washer Brass Nickel Plated
 RoHS Compliance: Yes
 Technical Detail: Refer to Emerson Document P/N 28-0000

DRAWING NO. 27-9069	
REVISIONS	
01	OFFICIAL RELEASE 08-05-09
	CHANGE CONTACT MATERIAL FROM BRASS TO PHOSPHOR BRONZE 06-30-11

D

D

C

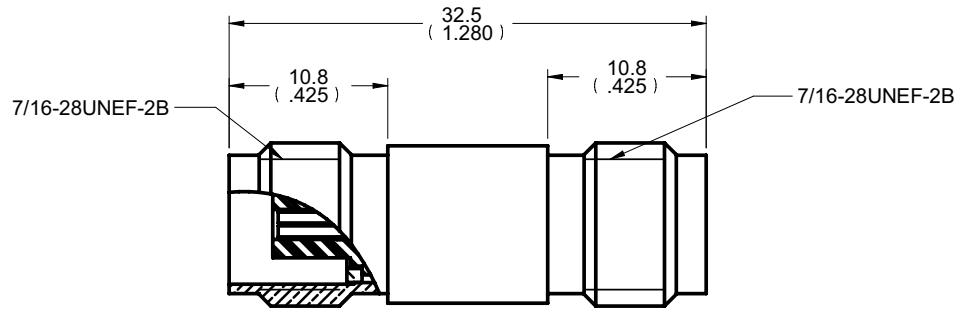
C

B

B

A

A



CUSTOMER COPY

TOLERANCE UNLESS OTHERWISE SPECIFIED		DRAWN BY Wencan Li	DATE 06-30-11
DECIMALS	mm	CHECKED BY Hu Yuge	DATE 06-30-11
X	± 0.5	APPROVED BY Ma Lin	DATE 06-30-11
X.X	± 0.3	U/M	mm
X.XX	± 0.1		
ANGLES	± 0.5°		



TITLE CPAD355 TNC(F-F)SPLICE ADAPTER		
SHEET 1 OF 1	DRAWING NO. 27-9069	SIZE A

THIS DRAWING WAS PRODUCED BY COMPUTER, DO NOT SCALE DRAWING OR UPDATE MANUALLY.

5

4

3

2

1

X-ON Electronics

Largest Supplier of Electrical and Electronic Components

Click to view similar products for [RF Adapters - In Series category](#):

Click to view products by [Bel Fuse manufacturer](#):

Other Similar products are found below :

[5916-1103-603](#) [5919-1503-000](#) [651A505](#) [82-5552](#) [9030-9523-502](#) [PN2C](#) [A0407000](#) [R114703000W](#) [R125771001](#) [R141710000W](#)
[R141723161](#) [R141730000](#) [R143730700](#) [R143770000](#) [R161703000W](#) [R161753000W](#) [R161791530W](#) [R201705000](#) [R222705200](#)
[R222M40010W](#) [R223703180](#) [R316754000](#) [R405006000](#) [R443162000](#) [AD78TL](#) [HRM-513S](#) [1996352-2](#) [2157155-1](#) [252169-75](#) [AD158](#)
[2101130-1](#) [252186](#) [R114704000W](#) [R114720000W](#) [R125705001](#) [R125705701](#) [R125771000](#) [R125771001W](#) [R127704001](#) [R127.870.001](#)
[R127872001](#) [R141717000](#) [R142710000](#) [R142723000](#) [R143703000](#) [R143704000](#) [R143705700](#) [R161715000W](#) [R161771000W](#) [R176754000](#)