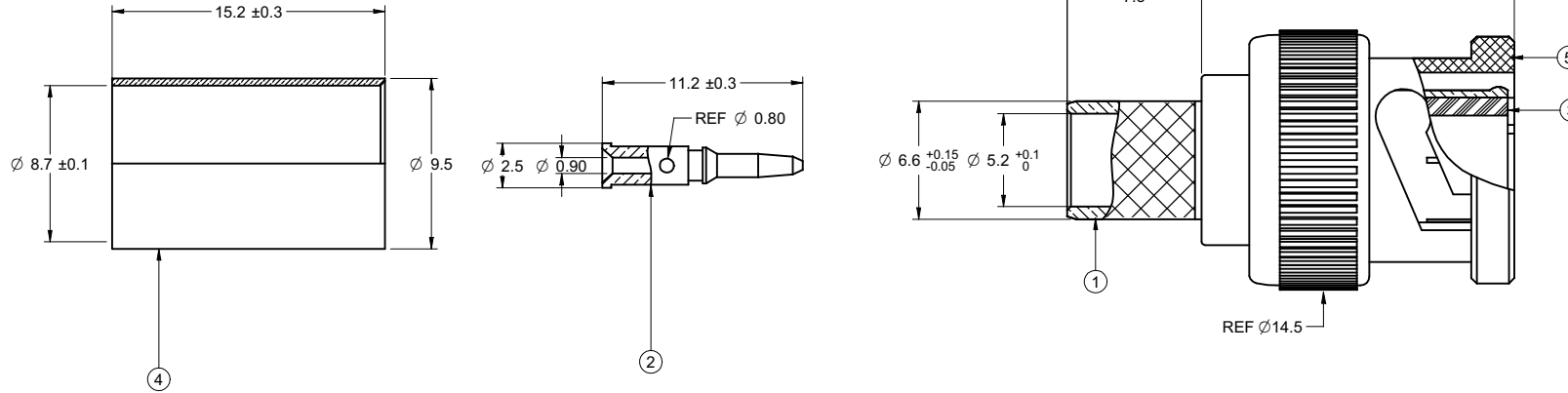
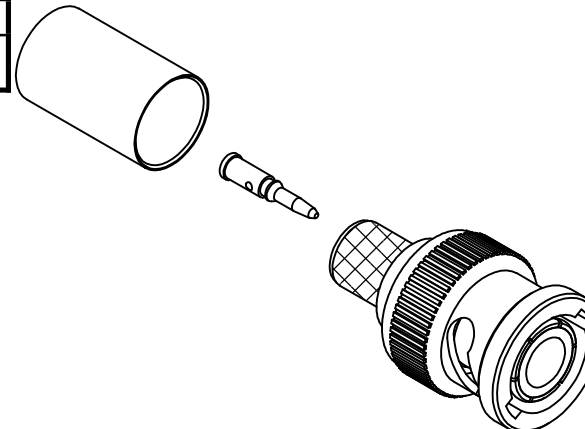


	5			4				3		2		1
PART NUMBER	ITEM ① BODY	ITEM ② CONTACT	ITEM ③ INSULATOR	ITEM ④ CRIMP SLEEVE	ITEM ⑤ CUPLING NUT							
27-9104	BRASS NICKEL PLATED	BRASS GOLD PLATED	DELTRIN	BRASS NICKEL PLATED	ZINC NICKEL PLATED							

DRAWING NO. 27-9104			
REVISIONS			
01	OFFICIAL RELEASE		2009.09.
08-18-09	L	L	T H
			<i>Betty</i> 08 09.34.35 +08'00



受控 CONTROLLED DOCUMENT					
编号 P/N	27-9104	版本 Rev	01	日期 Rel'd Date	SEP 14,09



NOTES:

1. IMPEDANCE: 50 OHMS NOMINAL
2. FREQUENCY RANGE: 0-4 GHz
3. CABLE ACCEPTABILITY: BELDEN 8281
4. CABLE RETENTION: 20 lbs MIN
5. RECOMMENDED TEMPERATURE RANGE: -55 °C TO +85 °C
6. FURTHER TECHNICAL DETAIL: REFER TO EMERSON DOCUMENT P/N 27-0000

THIS DRAWING TO BE INTERPRETED
PER ANSI Y 14.5M - 1994

COMPANY CONFIDENTIAL

TOLERANCE UNLESS OTHERWISE SPECIFIED		DRAWN BY LINDA.WU	DATE 08-18-09
DECIMALS	mm	CHECKED BY LINDA.WU	DATE 08-18-09
X	+ 0.5	APPROVED BY THOMAS	DATE 08-18-09
X.X	+ 0.2	U/M	mm
X.XX	+ 0.1		
ANGLES	+ 0.5°		

EMERSON Network Power		Connectivity Solutions	
TITLE BNC 3PC CRIMP FOR 8281			
SHEET 1 OF 1	DRAWING NO. 27-9104	SIZE C	

THIS DRAWING WAS PRODUCED BY COMPUTER,
DO NOT SCALE DRAWING OR UPDATE MANUALLY.

X-ON Electronics

Largest Supplier of Electrical and Electronic Components

Click to view similar products for [RF Connectors / Coaxial Connectors](#) category:

Click to view products by [Bel Fuse](#) manufacturer:

Other Similar products are found below :

[8915-1511-000](#) [89674-0827](#) [6001-7071-019](#) [6002-7051-003](#) [6002-7551-202](#) [6059674-1](#) [619550-1](#) [630059-000](#) [M39030/3-01N](#) [6500-7071-046](#) [6769](#) [CX050L2AQ](#) [7002-1541-010](#) [7002-1542-011](#) [7004-1512-000](#) [7009-1511-004](#) [7010-1511-000](#) [7029-1511-060](#) [7101-1541-010](#) [7101-1571-002](#) [7145-1521-002](#) [7203-1571-003](#) [7209-1511-011](#) [7210-1511-015](#) [7210-1511-019](#) [73137-5015](#) [73216-2241](#) [73404-2300](#) [7405-1521-005](#) [7405-1521-802](#) [8527](#) [8547](#) [FS11V](#) [877931](#) [8808-1511-001](#) [9049-9513-000](#) [9074-9513-000](#) [9101-9573-002](#) [910A205F](#) [9130-9573-002](#) [PL11SC-026](#) [PL375-33](#) [PL40-5](#) [PL74C-221](#) [PL75MC-217](#) [PL803-7](#) [1200690078](#) [1-201144-1](#) [R107003010W](#) [R110A172100](#)