

5

4

3

2

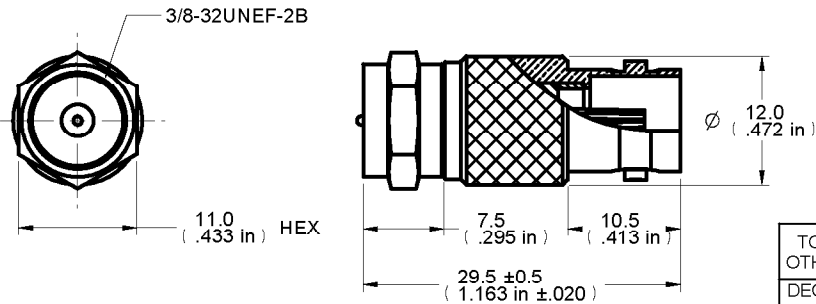
1

DRAWING NO.					
28-81007-CUST					
REVISIONS					
OFFICIAL RELEASE					
01	10-21-09	Y	U	Y	TH
				Betty	2009.12.11 10:29:32 +08'00'



Description: 75 Ohm BNC Female to F Male  
 Part No: 28-81007  
 Application: Adapter  
 Crimp Tool: N/A  
 Impedance: 75 Ohm  
 Frequency Range: 0-750 Mhz  
 Material: Body Brass Nickel plated  
 Contact Beryllium Gold plated  
 Insulator Teflon  
 Nut Brass Nickel plated  
 RoHS Compliance: Yes  
 Technical Detail: F End Refer to Emerson Document P/N 25-0000  
 BNC End Refer to Emerson Document P/N 27-0000

受控 CONTROLLED DOCUMENT					
编号 P/N	28-81007	版本 Rev	01	日期 Rel'd Date	DEC 17, 09



**DIM OUTLINE**

**CUSTOMER COPY**

TOLERANCE UNLESS OTHERWISE SPECIFIED		DRAWN BY	DATE	<b>Connectivity Solutions</b>
DECIMALS	mm	BETTY.YU	10-21-09	
X	± 0.5	CHECKED BY	DATE	TITLE 75 OHM BNC FEMALE TO F MALE
X.X	± 0.3	BETTY.YU	10-21-09	
X.XX	± 0.1	THOMAS	10-21-09	
ANGLES	± 0.5°	U/M	mm	
THIS DRAWING WAS PRODUCED BY COMPUTER, DO NOT SCALE DRAWING OR UPDATE MANUALLY.				SHEET 1 OF 1 DRAWING NO. 28-81007-CUST SIZE A

5

4

3

2

1

## X-ON Electronics

Largest Supplier of Electrical and Electronic Components

*Click to view similar products for [RF Adapters - In Series category:](#)*

*Click to view products by [Bel Fuse manufacturer:](#)*

Other Similar products are found below :

[5916-1103-603](#) [5919-1503-000](#) [651A505](#) [82-5552](#) [9030-9523-502](#) [PN2C](#) [A0407000](#) [R114703000W](#) [R125771001](#) [R141710000W](#)  
[R141723161](#) [R141730000](#) [R143730700](#) [R143770000](#) [R161703000W](#) [R161753000W](#) [R161791530W](#) [R201705000](#) [R222705200](#)  
[R222M40010W](#) [R223703180](#) [R316754000](#) [R405006000](#) [R443162000](#) [AD78TL](#) [HRM-513S](#) [1996352-2](#) [2157155-1](#) [252169-75](#) [AD158](#)  
[2101130-1](#) [252186](#) [R114704000W](#) [R114720000W](#) [R125705001](#) [R125705701](#) [R125771000](#) [R125771001W](#) [R127704001](#) [R127.870.001](#)  
[R127872001](#) [R141717000](#) [R142710000](#) [R142723000](#) [R143703000](#) [R143704000](#) [R143705700](#) [R161715000W](#) [R161771000W](#) [R176754000](#)