

5

4

3

2

1

DRAWING NO.  
28-84707

## REVISIONS

01	OFFICIAL RELEASE			2009.09.0
	08-18-09	L	L	H

*Betty* 09:38:15  
+0800C

D



Description: CPAD557 BNC Adpter, Jack To Jack

Part No: 28-84707

Application: Adapter

Crimp Tool: N/A

Impedance: 75 ohm

Frequency Range: 0~2 GHz

Material: Body Zinc Nickel plated

Insulator Delrin

Contact Berllium Gold plated

Mounting nut Brass Nickel plated

Lockwasher Steel Nickel plated

RoHS Compliance: Yes

Technical Detail: Refer to Emerson Document P/N 27-0000

C

D

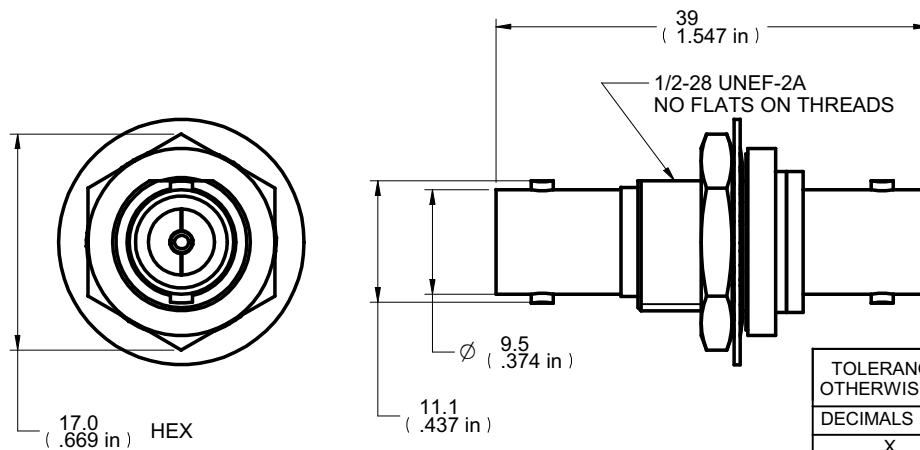
C

## 受控 CONTROLLED DOCUMENT

编号 P/N	28-84707-CUST	版本 Rev	01	日期 Rel'd Date	SEP 14,09
-----------	---------------	-----------	----	------------------	-----------

B

B

DIM OUTLINE

CUSTOMER COPY

A

A

TOLERANCE UNLESS OTHERWISE SPECIFIED		DRAWN BY LINDA.WU	DATE 08-18-09
DECIMALS	mm	CHECKED BY LINDA.WU	DATE 08-18-09
X	± 0.5	APPROVED BY THOMAS	DATE 08-18-09
X.X	± 0.3		
X.XX	± 0.1		
ANGLES	± 0.5°	U/M	mm

TITLE  
CPAD557 BNC ADPTR, JACK TO JACKSHEET  
1 OF 1DRAWING NO.  
28-84707SIZE  
ATHIS DRAWING WAS PRODUCED BY COMPUTER,  
DO NOT SCALE DRAWING OR UPDATE MANUALLY.

5

4

3

2

1

## X-ON Electronics

Largest Supplier of Electrical and Electronic Components

*Click to view similar products for [RF Adapters - In Series](#) category:*

*Click to view products by [Bel Fuse](#) manufacturer:*

Other Similar products are found below :

[5916-1103-603](#) [5919-1503-000](#) [5919-9503-000](#) [651A505](#) [82-5552](#) [9030-9523-502](#) [PN2C](#) [A0407000](#) [R114703000W](#) [R125771001](#)  
[R127871001](#) [R141710000W](#) [R141723161](#) [R141730000](#) [R143730700](#) [R143770000](#) [R161703000W](#) [R161753000W](#) [R161791530W](#)  
[R201705000](#) [R222705200](#) [R222M40010W](#) [R223703180](#) [R316754000](#) [R405006000](#) [R443162000](#) [AD78TL](#) [HRM-513S](#) [1996352-2](#)  
[2157155-1](#) [252169-75](#) [AD158](#) [2101130-1](#) [252186](#) [R114704000W](#) [R114720000W](#) [R125705001](#) [R125705701](#) [R125771000](#) [R125771001W](#)  
[R127704001](#) [R127.870.001](#) [R127872001](#) [R141717000](#) [R142710000](#) [R142723000](#) [R143703000](#) [R143704000](#) [R143705700](#) [R143710000](#)