

5

4

3

2

1

DRAWING NO.
28-90507

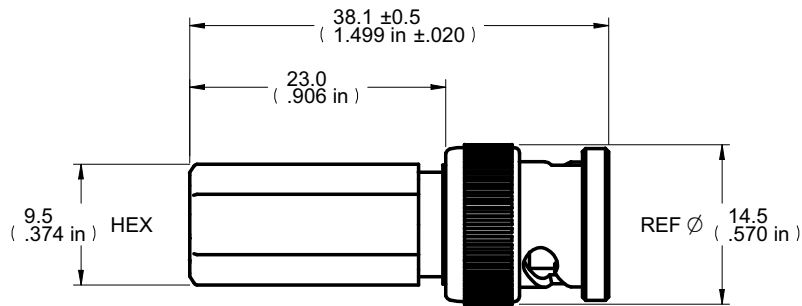
REVISIONS

01	OFFICIAL RELEASE				Betty	2009.09.08 09:38:55 +08'00'
	08-18-09	L	L	T		

Description: CPFIUG782 75 BNC(M) 1PC TW RG59
 Part No: 28-90507
 Application: For RG 59/62 Cable
 Crimp Tool: N/A
 Impedance: 75 ohm
 Frequency Range: 0~2 GHz
 Material: Body Zinc Nickel plated
 Insulator PP/ TPX
 Contact Brass Gold plated
 Coupling nut Zinc Nickel plated
 RoHS Compliance: Yes
 Technical Detail: Refer to Emerson Document P/N 27-0000



受控 CONTROLLED DOCUMENT					
编号 P/N	28-90507-C UST	版本 Rev	01	日期 Rel'd Date	SEP 14,09



DIM OUTLINE

CUSTOMER COPY

TOLERANCE UNLESS OTHERWISE SPECIFIED		DRAWN BY LINDA.WU	DATE 08-18-09
DECIMALS	mm	CHECKED BY LINDA.WU	DATE 08-18-09
X	± 0.5	APPROVED BY THOMAS	DATE 08-18-09
X.X	± 0.3		
X.XX	± 0.1		
ANGLES	± 0.5°	U/M	mm

EMERSON Network Power **Connectivity Solutions**

TITLE
CPFIUG782 75 BNC (M) 1 PC TW RG59

SHEET 1 OF 1	DRAWING NO. 28-90507	SIZE A
-----------------	-------------------------	-----------

THIS DRAWING WAS PRODUCED BY COMPUTER, DO NOT SCALE DRAWING OR UPDATE MANUALLY.

5

4

3

2

1

X-ON Electronics

Largest Supplier of Electrical and Electronic Components

Click to view similar products for [RF Connectors / Coaxial Connectors](#) category:

Click to view products by [Bel Fuse](#) manufacturer:

Other Similar products are found below :

[8915-1511-000](#) [89674-0827](#) [6001-7071-019](#) [6002-7051-003](#) [6002-7551-202](#) [6059674-1](#) [619550-1](#) [630059-000](#) [M39030/3-01N](#) [6500-7071-046](#) [6769](#) [CX050L2AQ](#) [7002-1541-010](#) [7002-1542-011](#) [7004-1512-000](#) [7009-1511-004](#) [7010-1511-000](#) [7029-1511-060](#) [7101-1541-010](#) [7101-1571-002](#) [7145-1521-002](#) [7203-1571-003](#) [7209-1511-011](#) [7210-1511-015](#) [7210-1511-019](#) [73137-5015](#) [73216-2241](#) [73404-2300](#) [7405-1521-005](#) [7405-1521-802](#) [8527](#) [8547](#) [FS11V](#) [877931](#) [8808-1511-001](#) [9049-9513-000](#) [9074-9513-000](#) [9101-9573-002](#) [910A205F](#) [9130-9573-002](#) [PL11SC-026](#) [PL375-33](#) [PL40-5](#) [PL74C-221](#) [PL75MC-217](#) [PL803-7](#) [1200690078](#) [1-201144-1](#) [R107003010W](#) [R110A172100](#)