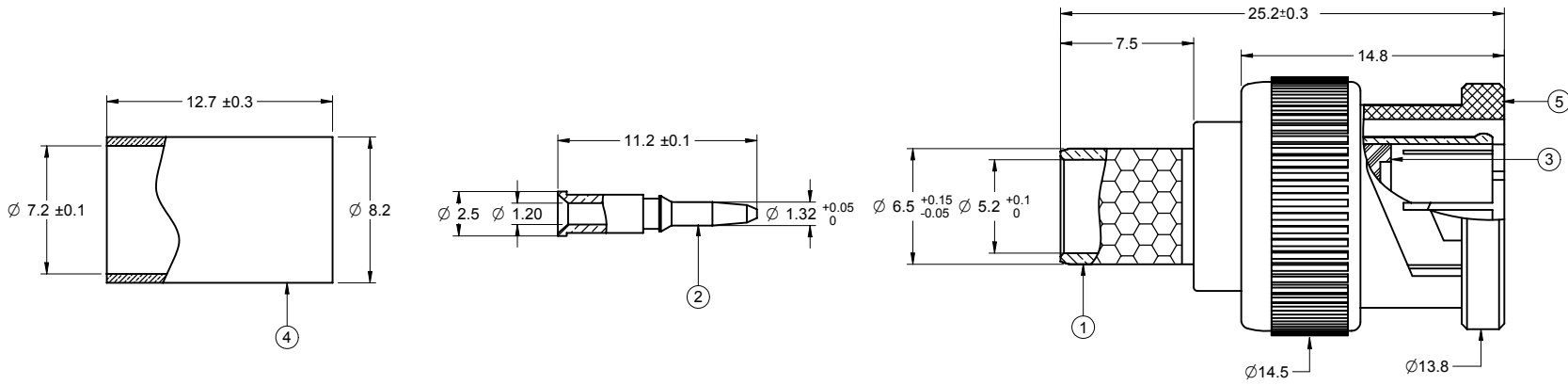


PART NUMBER	ITEM ① BODY	ITEM ② CONTACT	ITEM ③ INSULATOR	ITEM ④ CRIMP SLEEVE	ITEM ⑤ CUPLING NUT
28-91027	BRASS NICKEL PLATED	BRASS GOLD PLATED	DELTRIN	BRASS NICKEL PLATED	ZINC NICKEL PLATED

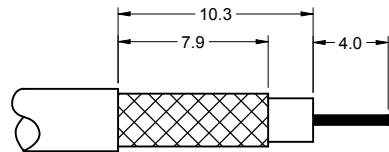
DRAWING NO.  
28-91027

REVISIONS					
A	RELEASE FOR QUTATION				
12-16-05	Y	U	W	T	

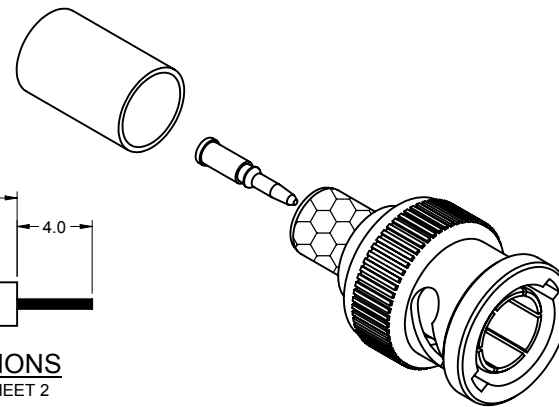


NOTES:

- ELECTRICAL SPECIFICATIONS  
 IMPEDANCE: 75 OHMS NOMINAL  
 FREQUENCY RANGE: 0-2 GHz  
 WORKING VOLTAGE: 500 Vrms MAX AT SEA LEVEL  
 DIELECTRIC WITHSTANDING VOLTAGE: 1500 vrms AT SEA LEVEL  
 CORONA LEVEL: 375 VOLTS MINIMUM AT 70,000 FEET  
 CONTACT RESISTANCE: OUTER-0.2 MILLIOHMS MAXIMUM  
 CENTER-2.1 MILLIOHMS MAXIMUM  
 INSULATION RESISTANCE: 5000 MEGOHMS MINIMUM
- MECHANICAL SPECIFICATIONS  
 DURABILITY: 500 CYCLES MIN  
 FORCE TO ENGAGE/DISENGAGE: 3 LBS. MAXIMUM  
 CABLE ACCEPTABILITY: BELDEN RG6
- ENVIRONMENTAL SPECIFICATIONS  
 RECOMMENDED TEMPERATURE RANGE: -55 °C TO +85 °C  
 MOISTURE RESISTANCE: MIL-STD-202



**CABLE STRIP DIMENSIONS**  
ASSEMBLY INSTRUCTIONS ON SHEET 2



THIS DRAWING TO BE INTERPRETED  
PER ANSI Y 14.5M - 1994

**COMPANY CONFIDENTIAL**



TOLERANCE UNLESS OTHERWISE SPECIFIED		DRAWN BY BETTY.YU	DATE 12-12-05
DECIMALS	mm	CHECKED BY IVON.WANG	DATE 12-16-05
X	± 0.5	APPROVED BY THOMAS	DATE 12-16-05
X.X	± 0.2		
X.XX	± 0.05		
ANGLES	± 0.5°	U/M	mm

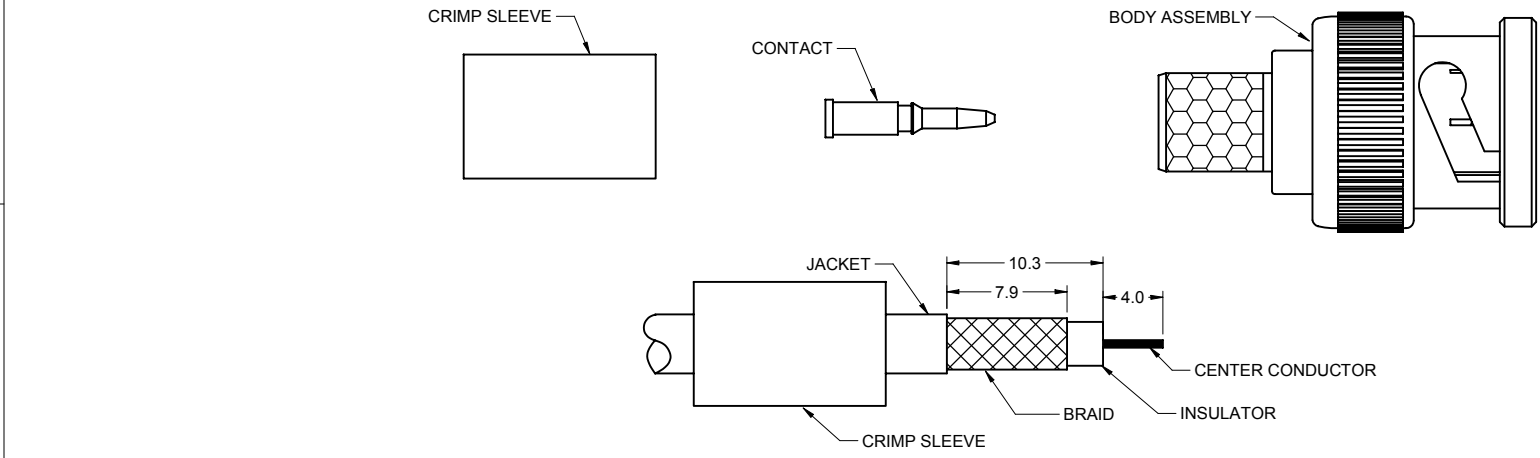
TITLE  
BNC MALE CRIMP FOR RG6/U 75Ω

THIS DRAWING WAS PRODUCED BY COMPUTER.  
DO NOT SCALE DRAWING OR UPDATE MANUALLY.

SHEET 1 OF 2	DRAWING NO. 28-91027	SIZE C
-----------------	-------------------------	-----------

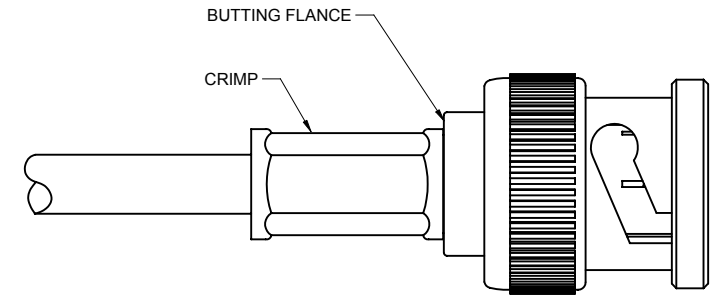
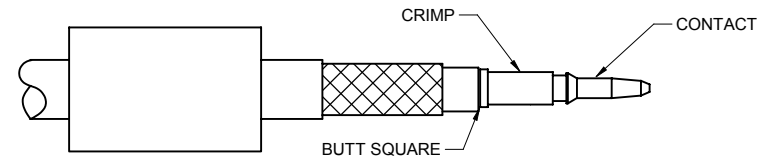
5		4		3		2		1	
PART NUMBER	CABLE	CRIMP SLEEVE HEX SIZE	CRIMP CONTACT HEX SIZE	RECOMMENDED CRIMP TOOL	RECOMMENDED STRIPPER TOOL				
28-91027	BELDEN RG6	6.98	1.65	24-8856P	24-7733P				

DRAWING NO. 28-91027									
<b>REVISIONS</b>									
A RELEASE FOR QUOTATION									
12-16-05	Y	U	W	T					



**ASSEMBLY INSTRUCTIONS**

1. IDENTIFY CONNECTOR PARTS. (3 PIECE PARTS.)
2. TRIM CABLE AS SHOWN. TAKING CARE NOT TO NICK THE INNER CONDUCTOR OR BRAID.
3. SLIP CRIMP SLEEVE OVER CABLE. PLACE INNER CONDUCTOR INTO CONTACT. NOTE THAT THE END OF CONTACT AND INNER INSULATOR MUST BE BUTTING AND SQUARE. CRIMP WITH APPROPRIATE TOOLING.
4. FLAIR OUTER BRAID AND GENTLY BUT FIRMLY PUSH THE CONTACT INTO THE CONNECTOR HOUSING UNTIL A GENTLE SNAP IS FELT, INDICATING THE CONTACT IS IN PLACE. SLIP THE CRIMP SLEEVE IN PLACE, BUTTING THE FLANGE AGAINST THE CONNECTOR BODY AND CRIMP WITH APPROPRIATE TOOLING.



THIS DRAWING TO BE INTERPRETED PER ANSI Y 14.5M - 1994

**COMPANY CONFIDENTIAL**

TOLERANCE UNLESS OTHERWISE SPECIFIED		DRAWN BY BETTY.YU		DATE 12-12-05	
DECIMALS	mm	CHECKED BY IVON.WANG		DATE 12-16-05	
X	± 0.5	APPROVED BY THOMAS		DATE 12-16-05	
X.X	± 0.2				
X.XX	± 0.05				
ANGLES	± 0.5°	U/M	mm		

**EMERSON**  
Network Power

**Connectivity Solutions**

TITLE  
BNC MALE CRIMP FOR RG6/U 75Ω

THIS DRAWING WAS PRODUCED BY COMPUTER. DO NOT SCALE DRAWING OR UPDATE MANUALLY.		SHEET 2 OF 2	DRAWING NO. 28-91027	SIZE C
---	--	-----------------	-------------------------	-----------

D  
C  
B  
A

D  
C  
B  
A

## X-ON Electronics

Largest Supplier of Electrical and Electronic Components

*Click to view similar products for [RF Connectors / Coaxial Connectors](#) category:*

*Click to view products by [Bel Fuse](#) manufacturer:*

Other Similar products are found below :

[R125315120](#) [8915-1511-000](#) [89674-0827](#) [5916-1103-603](#) [0106-001-000](#) [6-0001-3](#) [6001-7071-019](#) [6002-7051-003](#) [6002-7551-202](#) [6059674-1](#) [619550-1](#) [630059-000](#) [M39012/25-0021](#) [M39012/79-3008](#) [M39030/3-01N](#) [M39030/3-03N](#) [M3933/25-29N](#) [M3933/25-36N](#) [6500-7071-046](#) [6501-1071-002](#) [M83723/72W24576](#) [M83723/72W2457N](#) [6769](#) [CX050L2AQ](#) [7002-1541-010](#) [7002-1572-002](#) [7003-1572-002](#) [7004-1512-000](#) [7009-1511-004](#) [7010-1511-000](#) [7029-1511-060](#) [7101-1541-010](#) [7101-1571-002](#) [7105-1521-002](#) [7145-1521-002](#) [7209-1511-011](#) [7210-1511-012](#) [7210-1511-015](#) [7210-1511-019](#) [7210-1511-040](#) [7225-1512-050](#) [7242-1511-000](#) [73137-5015](#) [73251-0111](#) [73251-0672](#) [73276-1501](#) [73366-0013](#) [73404-2300](#) [73413-6080](#) [734151610](#)