



DESCRIPTION: BNC MALE CRIMP FOR BELDEN 8218 75Ω

MODEL NUMBER: 28-91057

APPLICATION: FOR BELDEN 8218, 735A CABLE

CRIMP TOOL: 24-9912P

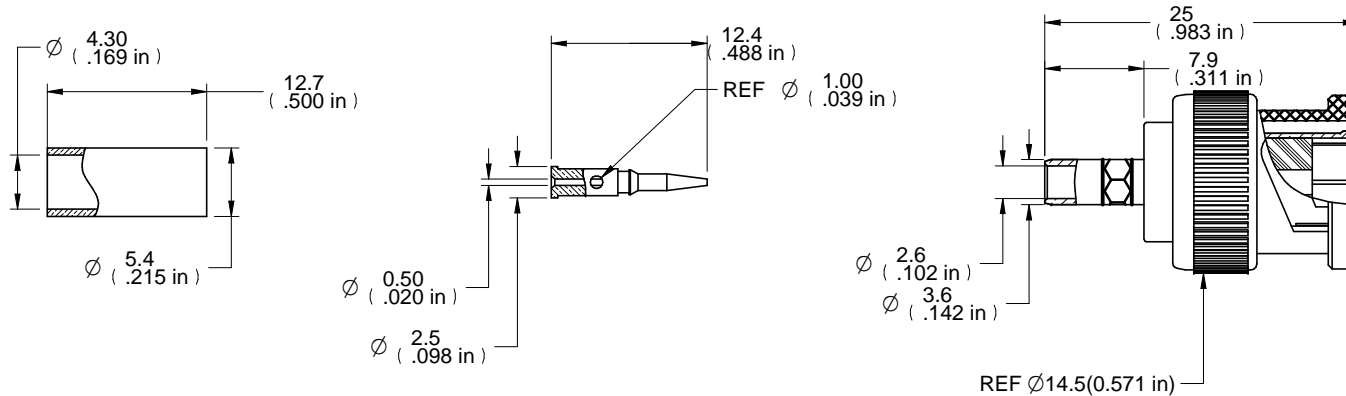
IMPEDANCE: 75 OHMS

FREQUENCY RANGE: 0-2 GHZ

MATERIAL: BODY: BRASS NICKEL PLATED  
 CONTACT: BRASS GOLD PLATED  
 INSULATOR: TEFLON  
 CRIMP SLEEVE: BRASS NICKEL PLATED  
 COUPLING NUT: BRASS NICKEL PLATED

RoHS COMPLIANCE: YES

TECHNICAL DETAIL: REFER TO CINCH DOCUMENT P/N 27-0000



## DIM OUTLINE

<p>This PROPRIETARY Document is property of Cinch Connectivity Solutions. It is confidential in nature, non-transferable, and issued with the clear understanding that it is not to be copied or reprinted without permission and is returnable upon demand.</p> <p>INTERPRET DRAWING IN ACCORDANCE WITH ASME Y14.5-2009.</p>		<b>AIM-Cambridge</b>	
	<b>RoHS2</b> <input checked="" type="checkbox"/> <b>2011/65/EU</b>	Title: BNC Plug, 3 Piece Crimp, 8218, 735A	
	UNLESS OTHERWISE SPECIFIED UNITS: METRIC <b>.X ±.51</b> <b>.XX ±.127</b> <b>ANGLES ±2°</b>	Model No. 28-91057	
	Size <b>A</b>	DO NOT SCALE DRAWING	Date: 2015/3/13

## X-ON Electronics

Largest Supplier of Electrical and Electronic Components

*Click to view similar products for [RF Connectors / Coaxial Connectors](#) category:*

*Click to view products by [Bel Fuse](#) manufacturer:*

Other Similar products are found below :

[8915-1511-000](#) [89674-0827](#) [6001-7071-019](#) [6002-7051-003](#) [6002-7551-202](#) [6059674-1](#) [619550-1](#) [630059-000](#) [M39030/3-01N](#) [6500-7071-046](#) [6769](#) [CX050L2AQ](#) [7002-1541-010](#) [7002-1542-011](#) [7004-1512-000](#) [7009-1511-004](#) [7010-1511-000](#) [7029-1511-060](#) [7101-1541-010](#) [7101-1571-002](#) [7145-1521-002](#) [7203-1571-003](#) [7209-1511-011](#) [7210-1511-015](#) [7210-1511-019](#) [73137-5015](#) [73216-2241](#) [73404-2300](#) [7405-1521-005](#) [7405-1521-802](#) [8527](#) [8547](#) [FS11V](#) [877931](#) [9049-9513-000](#) [9074-9513-000](#) [9101-9573-002](#) [910A205F](#) [9130-9573-002](#) [PL11SC-026](#) [PL375-33](#) [PL40-5](#) [PL74C-221](#) [PL75MC-217](#) [PL803-7](#) [980-8666-005](#) [1200690078](#) [1-201144-1](#) [R107003010W](#) [R110A172100](#)