



DESCRIPTION: CPAD810 SMA(F)-N(M) ADAPTER

MODEL NUMBER: 29-3840

APPLICATION: SMA(F) to N(M) ADAPTER

CRIMP TOOL: N/A

IMPEDANCE: 50 OHM

FREQUENCY RANGE: N/A

MATERIAL: BODY BRASS NICKEL PLATED

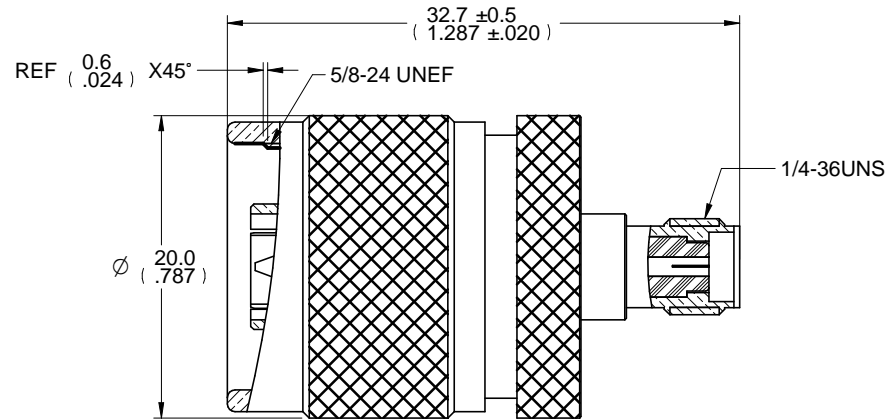
NUT BRASS NICKEL PLATED


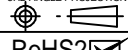
INSULATOR PTFE

CONTACT BRASS GOLD PLATED

RoHS COMPLIANCE: YES

TECHNICAL DETAIL: N END REFER TO CINCH DOCUMENT P/N 26-0000



 <small>This PROPRIETARY Document is property of Cinch Connectivity Solutions. It is confidential in nature, non-transferable, and issued with the clear understanding that it is not to be copied or copied without permission and is returnable upon demand.</small> <small>INTERPRET DRAWING IN ACCORDANCE WITH ASME Y14.5-2009.</small>	<small>3RD ANGLE PROJECTION</small> 	AIM-Cambridge	
	RoHS2 <input checked="" type="checkbox"/> 2011/65/EU	<small>Title:</small> CPAD810 SMA(F)-N(M) ADAPTER	
	<small>UNLESS OTHERWISE SPECIFIED UNITS: METRIC</small> .XX ± .51 .XXX ± .127 ANGLES ± 2°	<small>Model No.</small> 29-3840	<small>Size</small> A
		<small>Date:</small> 2016/3/7	Sheet 1 of 1

X-ON Electronics

Largest Supplier of Electrical and Electronic Components

Click to view similar products for [RF Adapters - Between Series category](#):

Click to view products by [Bel Fuse manufacturer](#):

Other Similar products are found below :

[5945-9503-000](#) [MCX/F-SMA/M](#) [R192417010](#) [ADBJ20-E1-BJ379](#) [ADM2](#) [ADPL75-A1-PL75](#) [242191](#) [9317505](#) [29-3835P](#) [AD130](#) [ADBJ20-E1-PL74](#) [ADBJ20-E2-BJ79](#) [ADBJ77-A1-PL375](#) [ADBJ77-E1-UPL20](#) [ADRMF370](#) [242215](#) [242228](#) [R125680000W](#) [R192430000](#) [UAD95](#) [1057367-1](#) [8311505](#) [R114704000](#) [R451034500](#) [R451030500](#) [R451543000](#) [HDVDPN](#) [ADBJ20-K1-PL20](#) [R451570000](#) [R451034000](#) [J9](#) [J3WE-5](#) [R451032500](#) [242201RP](#) [17K132-K00S5](#) [AD-RSMAF-RTNC](#) [53K156-K00N5](#) [02K119-K00E3](#) [29S132-K01N5](#) [53S156-K00N5](#) [02S119-S00E3](#) [28K132-K00N5](#) [02S109-K00S3](#) [27-8200TP](#) [242235](#) [ADBJ20-E1-BJ89](#) [000-2900](#) [321-102-003 \(SMA-50/2-H155/W1.03 AU\)](#) [1057377-1](#) [321-350-001 \(SMA-50-R/2-RG316/N2.01\)](#)