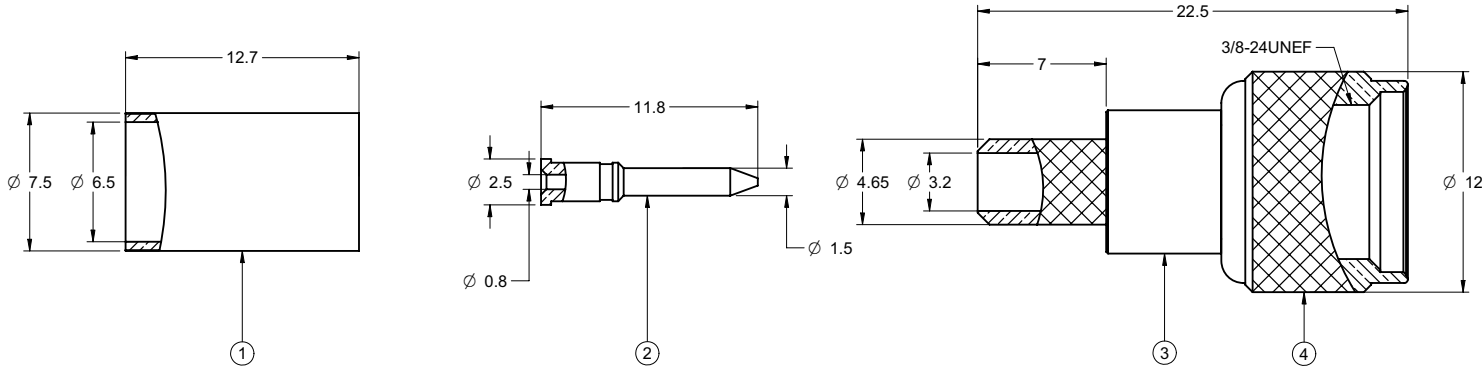


PART NUMBER	ITEM ① SLEEVE	ITEM ② CONTACT	ITEM ③ BODY	ITEM ③ NUT
29-4021	BRASS BLACK	BODY GOLD PLATED	BRASS BLACK	BRASS BLACK

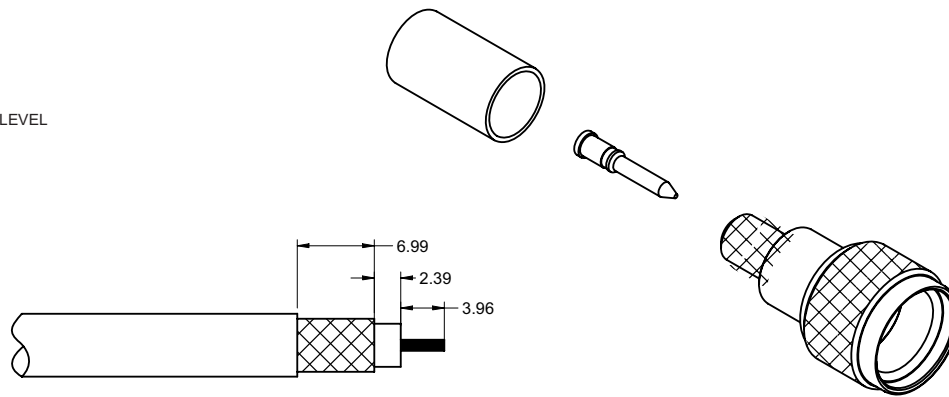
<b>受控 CONTROLLED DOCUMENT</b>				
编号 P/N	29-4021	版本 Rev	0A	日期 Rel'd Date
			Mar 24, 08	

DRAWING NO. 29-4021	
REVISIONS	
RELEASE FOR QUOTATION	
A	03-30-06



**NOTES:**

- ELECTRICAL CHARACTERISTICS**  
 IMPEDANCE: NON-CONSTANT  
 FREQUENCY RANGE: 0-2 GHZ  
 WORKING VOLTAGE: 500 VOLTS RMS AT SEA LEVEL  
 DIELECTRIC WITHSTANDING VOLTAGE: 1500 VOLTS RMS AT SEA LEVEL  
 INSULATION RESISTANCE: 5000 MEGOHMS MINIMUM
- ENVIRONMENTAL CHARACTERISTICS**  
 RECOMMENDED TEMPERATURE RANGE: -55OC TO +85OC
- MECHANICAL CHARACTERISTICS**  
 DURABILITY: 500 CYCLES  
 CABLE RETENTION: 20 LBS., RG-58 C/U CABLE



**CABLE STRIP DIMENSIONS**  
 ASSEMBLY INSTRUCTIONS ON SHEET 2

THIS DRAWING TO BE INTERPRETED  
 PER ANSI Y 14.5M - 1994

**COMPANY CONFIDENTIAL**

TOLERANCE UNLESS OTHERWISE SPECIFIED		DRAWN BY IVON.WANG	DATE 03-30-06
DECIMALS	mm	CHECKED BY LINDA.WU	DATE 03-30-06
X	± 0.5	APPROVED BY THOMAS	DATE 03-30-06
X.X	± 0.2	U/M	mm
X.XX	± 0.1		
ANGLES	± 0.5°		

TITLE MINI-UHF RG-58 BLACK *	
SHEET 1 OF 2	DRAWING NO. 29-4021
SIZE C	

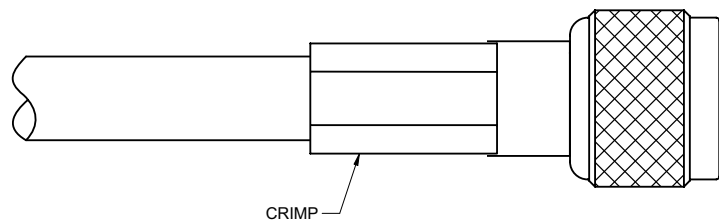
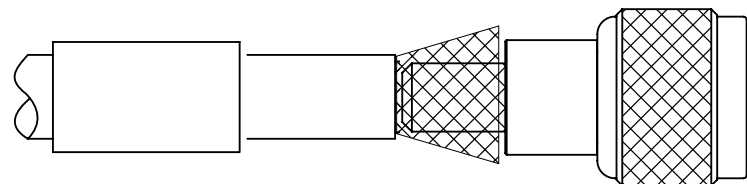
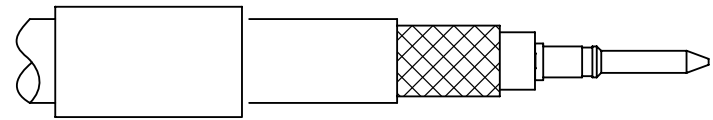
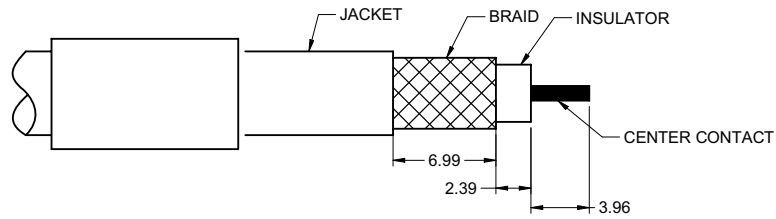
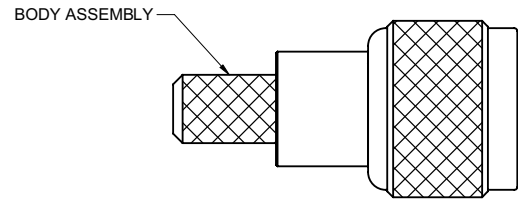
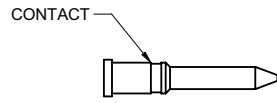
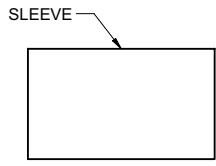
THIS DRAWING WAS PRODUCED BY COMPUTER,  
 DO NOT SCALE DRAWING OR UPDATE MANUALLY.

PART NUMBER	CABLE TYPE	BLISTER NO.	AIM TOOL
29-4021	RG-58	29-4021P	24-9958P

**受控 CONTROLLED DOCUMENT**

编号 P/N	29-4021	版本 Rev	0A	日期 Rel'd Date	Mar 24,08
-----------	---------	-----------	----	------------------	-----------

DRAWING NO. 29-4021	
REVISIONS	
RELEASE FOR QUATION	
A	03-30-06 W W T



**ASSEMBLY INSTRUCTIONS**

1. STRIP CABLE TO DIMENSIONS SHOWN IN TABLE. ALL CUTS ARE TO BE SHARP AND SQUARE. IMPORTANT: DO NOT NICK BRAID, DIELECTRIC, OR CENTER CONDUCTOR.
2. SLIDE OUTER FERRULE ONTO CABLE AS SHOWN. FLARE SLIGHTLY END OF CABLE BRAID AS SHOWN TO FACILITATE INSERTION OF INNER FERRULE. IMPORTANT: DO NOT COMB OUT BRAID. PLACE CONTACT ON CABLE CENTER CONDUCTOR SO IT BUTTS AGAINST CABLE DIELECTRIC. SOLDER CONTACT IN PLACE USING TOOL.
3. INSTALL CABLE ASSEMBLY INTO BODY ASSEMBLY SO INNER FERRULE PORTION SLIDES UNDER BRAID. PUSH CABLE ASSEMBLY FORWARD UNTIL CABLE DIELECTRIC SEATS AGAINST CONNECTOR INSULATOR.
4. SLIDE OUTER FERRULE OVER BRAID AND UP AGAINST CONNECTOR BODY, HOLDING CONNECTOR BODY FIRMLY IN PLACE. CRIMP OUTER FERRULE USING TOOL HANDLE.

THIS DRAWING TO BE INTERPRETED PER ANSI Y 14.5M - 1994  
**COMPANY CONFIDENTIAL**

TOLERANCE UNLESS OTHERWISE SPECIFIED		DRAWN BY IVON.WANG		DATE 03-30-06	
DECIMALS	mm	CHECKED BY LINDA.WU		DATE 03-30-06	
X	± 0.5	APPROVED BY THOMAS		DATE 03-30-06	
X.X	± 0.2	U/M		mm	
X.XX	± 0.1				
ANGLES	± 0.5°				

**cinch**  
CONNECTIVITY SOLUTIONS  
a bel group

TITLE  
**MINI-UHF RG-58 BLACK \***

SHEET 2 OF 2	DRAWING NO. 29-4021	SIZE C
-----------------	------------------------	-----------

THIS DRAWING WAS PRODUCED BY COMPUTER, DO NOT SCALE DRAWING OR UPDATE MANUALLY.

## X-ON Electronics

Largest Supplier of Electrical and Electronic Components

*Click to view similar products for [RF Connectors / Coaxial Connectors](#) category:*

*Click to view products by [Bel Fuse](#) manufacturer:*

Other Similar products are found below :

[8915-1511-000](#) [89674-0827](#) [6001-7071-019](#) [6002-7051-003](#) [6002-7551-202](#) [6059674-1](#) [619550-1](#) [630059-000](#) [M39030/3-01N](#) [6500-7071-046](#) [6769](#) [CX050L2AQ](#) [7002-1541-010](#) [7002-1542-011](#) [7004-1512-000](#) [7009-1511-004](#) [7010-1511-000](#) [7029-1511-060](#) [7101-1541-010](#) [7101-1571-002](#) [7145-1521-002](#) [7203-1571-003](#) [7209-1511-011](#) [7210-1511-015](#) [7210-1511-019](#) [73137-5015](#) [73216-2241](#) [73404-2300](#) [7405-1521-005](#) [7405-1521-802](#) [8527](#) [8547](#) [FS11V](#) [877931](#) [9049-9513-000](#) [9074-9513-000](#) [9101-9573-002](#) [910A205F](#) [9130-9573-002](#) [PL11SC-026](#) [PL375-33](#) [PL40-5](#) [PL74C-221](#) [PL75MC-217](#) [PL803-7](#) [980-8666-005](#) [1200690078](#) [1-201144-1](#) [R107003010W](#) [R110A172100](#)