

PART NUMBER	ITEM ① SLEEVE	ITEM ② CONTACT	ITEM ③ BODY	ITEM ③ NUT
29-4031	BRASS NICKEL PLATED	BRASS GOLD PLATED	BRASS NICKEL PLATED	BRASS NICKEL PLATED

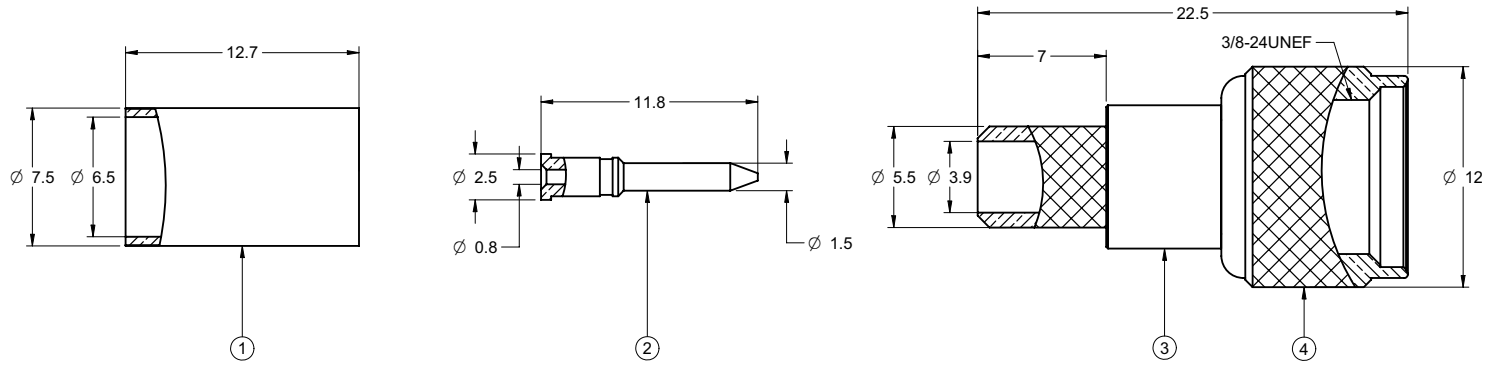
受控 CONTROLLED DOCUMENT

编号 P/N	29-4031	版本 Rev	0A	日期 Rel'd Date	Mar 24, 08
-----------	---------	-----------	----	------------------	------------

DRAWING NO.
29-4031

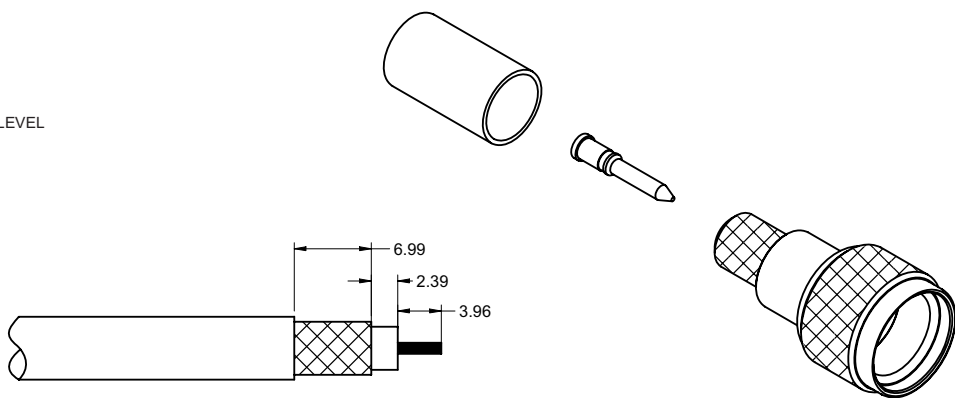
REVISIONS

RELEASE FOR QUOTATION					
A	03-30-06	W	W	T	Thomas 2006.04.22 15:31:24 - 0800



NOTES:

- ELECTRICAL CHARACTERISTICS**
 IMPEDANCE: NON-CONSTANT
 FREQUENCY RANGE: 0-2 GHZ
 WORKING VOLTAGE: 500 VOLTS RMS AT SEA LEVEL
 DIELECTRIC WITHSTANDING VOLTAGE: 1500 VOLTS RMS AT SEA LEVEL
 INSULATION RESISTANCE: 5000 MEGOHMS MINIMUM
- ENVIRONMENTAL CHARACTERISTICS**
 RECOMMENDED TEMPERATURE RANGE: -55OC TO +85OC
- MECHANICAL CHARACTERISTICS**
 DURABILITY: 500 CYCLES
 CABLE RETENTION: 20 LBS., RG-58 C/U CABLE



CABLE STRIP DIMENSIONS
ASSEMBLY INSTRUCTIONS ON SHEET 2

THIS DRAWING TO BE INTERPRETED
PER ANSI Y 14.5M - 1994

COMPANY CONFIDENTIAL

TOLERANCE UNLESS OTHERWISE SPECIFIED		DRAWN BY IVON.WANG	DATE 03-30-06
DECIMALS	mm	CHECKED BY LINDA.WU	DATE 03-30-06
X	± 0.5	APPROVED BY THOMAS	DATE 03-30-06
X.X	± 0.2	U/M	mm
X.XX	± 0.1		
ANGLES	± 0.5°		

EMERSON
Network Power

Connectivity Solutions

TITLE
MINI UHF CRIMP RG 59 & 62 *

SHEET 1 OF 2	DRAWING NO. 29-4031	SIZE C
-----------------	-------------------------------	------------------

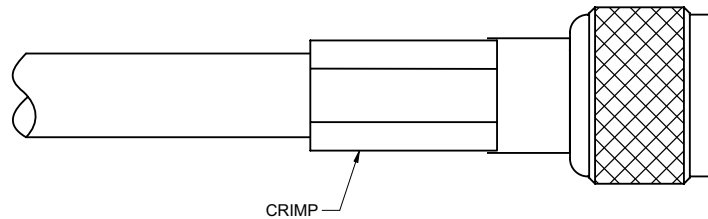
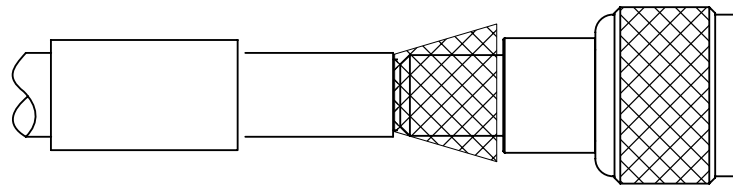
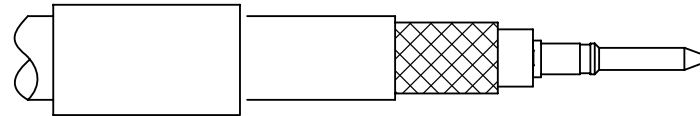
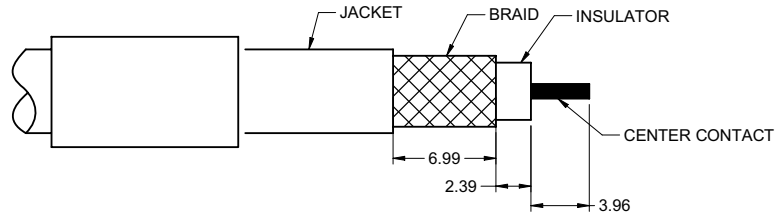
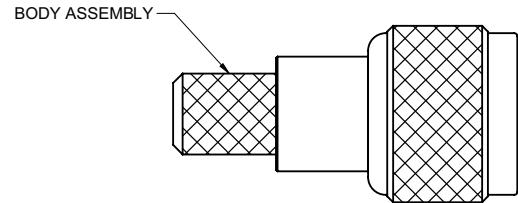
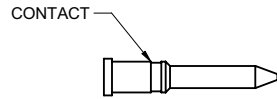
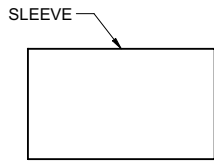
THIS DRAWING WAS PRODUCED BY COMPUTER,
DO NOT SCALE DRAWING OR UPDATE MANUALLY.

PART NUMBER	CABLE TYPE	BLISTER NO.	AIM TOOL
29-4031	RG-59&62	29-4031P	24-9959P

受控 CONTROLLED DOCUMENT

编号 P/N	29-4031	版本 Rev	0A	日期 Rel'd Date	Mar 24,08
-----------	---------	-----------	----	------------------	-----------

DRAWING NO. 29-4031	
REVISIONS	
RELEASE FOR QUATION	
A	03-30-06 W W T



ASSEMBLY INSTRUCTIONS

1. STRIP CABLE TO DIMENSIONS SHOWN IN TABLE. ALL CUTS ARE TO BE SHARP AND SQUARE. IMPORTANT: DO NOT NICK BRAID, DIELECTRIC, OR CENTER CONDUCTOR.
2. SLIDE OUTER FERRULE ONTO CABLE AS SHOWN. FLARE SLIGHTLY END OF CABLE BRAID AS SHOWN TO FACILITATE INSERTION OF INNER FERRULE. IMPORTANT: DO NOT COMB OUT BRAID. PLACE CONTACT ON CABLE CENTER CONDUCTOR SO IT BUTTS AGAINST CABLE DIELECTRIC. SOLDER CONTACT IN PLACE USING TOOL.
3. INSTALL CABLE ASSEMBLY INTO BODY ASSEMBLY SO INNER FERRULE PORTION SLIDES UNDER BRAID. PUSH CABLE ASSEMBLY FORWARD UNTIL CABLE DIELECTRIC SEATS AGAINST CONNECTOR INSULATOR.
4. SLIDE OUTER FERRULE OVER BRAID AND UP AGAINST CONNECTOR BODY, HOLDING CONNECTOR BODY FIRMLY IN PLACE. CRIMP OUTER FERRULE USING TOOL HANDLE.

THIS DRAWING TO BE INTERPRETED PER ANSI Y 14.5M - 1994
COMPANY CONFIDENTIAL

TOLERANCE UNLESS OTHERWISE SPECIFIED		DRAWN BY	DATE
		IVON.WANG	03-30-06
DECIMALS	mm	CHECKED BY	DATE
X	± 0.5	LINDA.WU	03-30-06
X.X	± 0.2	APPROVED BY	DATE
X.XX	± 0.1	THOMAS	03-30-06
ANGLES	± 0.5°	U/M	mm

EMERSON
Network Power

Connectivity Solutions

TITLE
MINI UHF CRIMP RG 59 & 62 *

SHEET	DRAWING NO.	SIZE
2 OF 2	29-4031	C

THIS DRAWING WAS PRODUCED BY COMPUTER, DO NOT SCALE DRAWING OR UPDATE MANUALLY.

X-ON Electronics

Largest Supplier of Electrical and Electronic Components

Click to view similar products for [RF Connectors / Coaxial Connectors](#) category:

Click to view products by [Bel Fuse](#) manufacturer:

Other Similar products are found below :

[8915-1511-000](#) [89674-0827](#) [6001-7071-019](#) [6002-7051-003](#) [6002-7551-202](#) [6059674-1](#) [619550-1](#) [630059-000](#) [M39030/3-01N](#) [6500-7071-046](#) [6769](#) [CX050L2AQ](#) [7002-1541-010](#) [7002-1542-011](#) [7004-1512-000](#) [7009-1511-004](#) [7010-1511-000](#) [7029-1511-060](#) [7101-1541-010](#) [7101-1571-002](#) [7145-1521-002](#) [7203-1571-003](#) [7209-1511-011](#) [7210-1511-015](#) [7210-1511-019](#) [73137-5015](#) [73216-2241](#) [73404-2300](#) [7405-1521-005](#) [7405-1521-802](#) [8527](#) [8547](#) [FS11V](#) [877931](#) [8808-1511-001](#) [9049-9513-000](#) [9074-9513-000](#) [9101-9573-002](#) [910A205F](#) [9130-9573-002](#) [PL11SC-026](#) [PL375-33](#) [PL40-5](#) [PL74C-221](#) [PL75MC-217](#) [PL803-7](#) [1200690078](#) [1-201144-1](#) [R107003010W](#) [R110A172100](#)