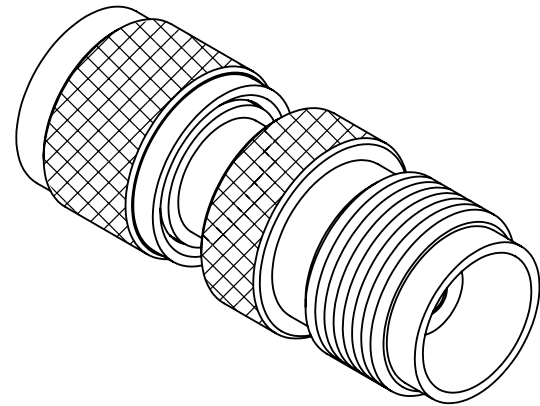
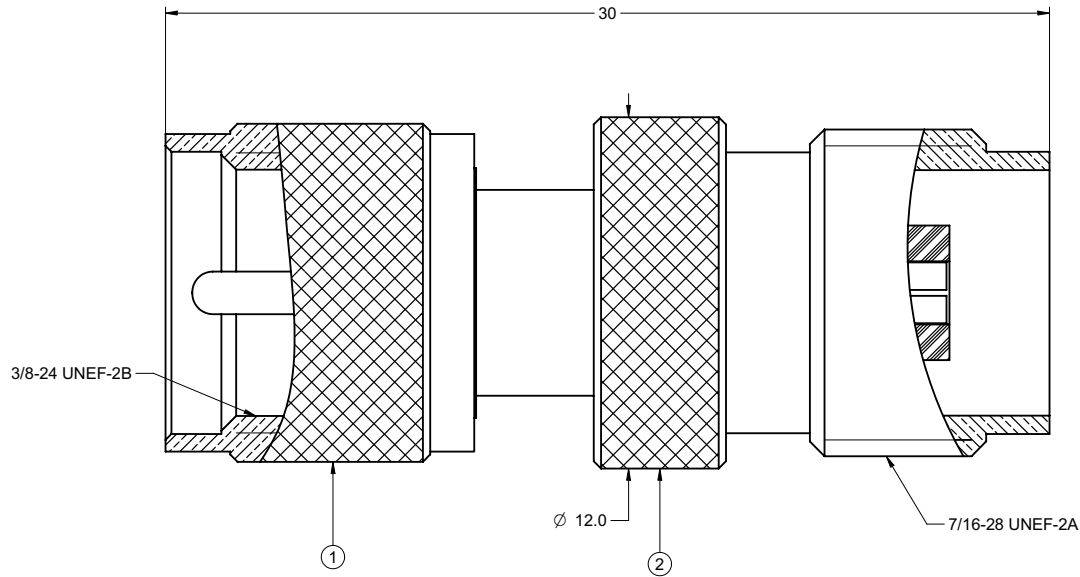


PART NUMBER	ITEM ① NUT	ITEM ② BODY
29-4100	BRASS NICKEL PLATED	BRASS NICKEL PLATED

受控 CONTROLLED DOCUMENT					
编号 P/N	29-4100	版本 Rev	0B	日期 Rel'd Date	Mar 24, 08

DRAWING NO. 29-4100	
REVISIONS	
RELEASE FOR QUOTATION	
A	01-20-06 W W T
ADD DIM. Ø12.0	
ADD NOTES 4 & 5	
B	12-26-06 Z L T

Thomas Chen
2007.01.04
14:16:51
-08'00'



NOTES:

- ELECTRICAL SPECIFICATIONS
TNC IMPEDANCE: 50 OHM
MINI-UHF IMPEDANCE: NON-CONSTANT
WORKING VOLTAGE: 500 VOLTS RMS AT SEA LEVEL
DIELECTRIC WITHSTANDING VOLTAGE: 1500 VOLTS RMS AT SEA LEVEL
INSULATION RESISTANCE: 5000 MEGOHMS MIN
- ENVIRONMENTAL SPECIFICATIONS
TEMPERATURE RANGE: -55 °C TO +85 °C
- MECHANICAL CHARACTERISTICS:
DURABILITY: 500 CYCLES
- PRODUCT SHOULD BE RoHS COMPLIANCE
- PACKAGING REQUIREMENT FOLLOWS ENGINEERING DOCUMENT P/N 836-40200001XX

THIS DRAWING TO BE INTERPRETED
PER ANSI Y 14.5M - 1994

COMPANY CONFIDENTIAL

TOLERANCE UNLESS OTHERWISE SPECIFIED		DRAWN BY GARY.ZHG	DATE 12-26-06
DECIMALS	mm	CHECKED BY LINDA.WU	DATE 12-26-06
X	± 0.5	APPROVED BY THOMAS	DATE 12-26-06
X.X	± 0.2		
X.XX	± 0.1		
ANGLES	± 0.5°	U/M	mm

TITLE MINI UHF MALE TO TNC	
SHEET 1 OF 1	DRAWING NO. 29-4100
	SIZE C

THIS DRAWING WAS PRODUCED BY COMPUTER,
DO NOT SCALE DRAWING OR UPDATE MANUALLY.

X-ON Electronics

Largest Supplier of Electrical and Electronic Components

Click to view similar products for [RF Adapters - Between Series](#) category:

Click to view products by [Bel Fuse](#) manufacturer:

Other Similar products are found below :

[R191203007](#) [R191209000](#) [R191212000](#) [R191215000](#) [R191301000](#) [R191314700](#) [R191325000](#) [R191389200](#) [R191403000](#) [R191405000](#)
[R191416000](#) [R191419000](#) [R191421000](#) [R191424000](#) [R191445000](#) [R191511000](#) [R191720000](#) [R191722000](#) [R191733000](#) [R191759000](#)
[R191841001W](#) [R191911000](#) [R191912000](#) [R192417010](#) [R921390000](#) [ADBJ20-E1-BJ379](#) [ADM2](#) [ADPL75-E1-UBJ20](#) [9317505](#)
[931RPBUFLP](#) [AD130](#) [ADBJ20-E1-PL74](#) [ADBJ77-A1PL3155](#) [ADBJ77-E1-UPL20](#) [ADBJ77-E2-PL20](#) [242215](#) [242228](#) [R125680000W](#)
[R191117000](#) [R191123000](#) [R191303000](#) [R191311000](#) [R191313000](#) [R191315000](#) [R191316700](#) [R191327000](#) [R191331000](#) [R191333000](#)
[R191334000](#) [R191365000](#)