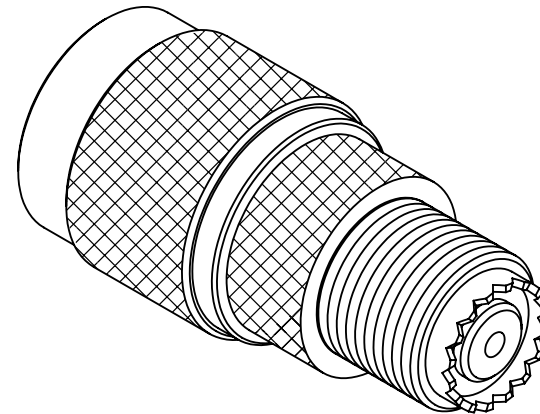
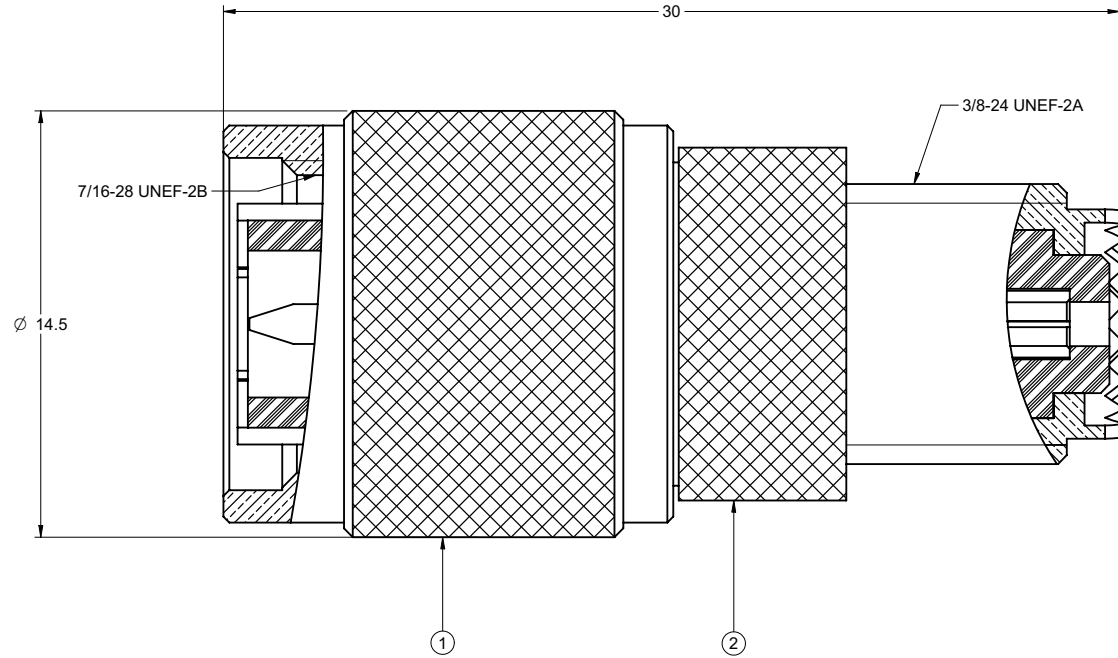


PART NUMBER	ITEM ① NUT	ITEM ② BODY
29-4105	BRASS NICKEL PLATED	BRASS NICKEL PLATED

受控 CONTROLLED DOCUMENT					
编号 P/N	29-4105	版本 Rev	0B	日期 Rel'd Date	Mar 24, 08

DRAWING NO. 29-4105	
REVISIONS	
RELEASE FOR QUOTATION	
A	01-20-06 W W T
ADD NOTES 4 & 5	
B	12-26-06 Z L T



NOTES:

- ELECTRICAL SPECIFICATIONS
TNC IMPEDANCE: 50 OHM
MINI-UHF IMPEDANCE: NON-CONSTANT
WORKING VOLTAGE: 500 VOLTS RMS AT SEA LEVEL
DIELECTRIC WITHSTANDING VOLTAGE: 1500 VOLTS RMS AT SEA LEVEL
INSULATION RESISTANCE: 5000 MEGOHMS MIN
- ENVIRONMENTAL SPECIFICATIONS
TEMPERATURE RANGE: -55 °C TO +85 °C
- MECHANICAL CHARACTERISTICS:
DURABILITY: 500 CYCLES
- PRODUCT SHOULD BE RoHS COMPLIANCE.
- PACKAGING REQUIREMENT FOLLOWS ENGINEERING DOCUMENT P/N 836-40200001XX

THIS DRAWING TO BE INTERPRETED
PER ANSI Y 14.5M - 1994

COMPANY CONFIDENTIAL

TOLERANCE UNLESS OTHERWISE SPECIFIED		DRAWN BY GARY.ZHG	DATE 12-26-06
DECIMALS	mm	CHECKED BY LINDA.WU	DATE 12-26-06
X	± 0.5	APPROVED BY THOMAS	DATE 12-26-06
X.X	± 0.2		
X.XX	± 0.1		
ANGLES	± 0.5°	U/M	mm

EMERSON Network Power		Connectivity Solutions	
TITLE MINI UHF TO TNC MALE			

THIS DRAWING WAS PRODUCED BY COMPUTER,
DO NOT SCALE DRAWING OR UPDATE MANUALLY.

SHEET 1 OF 1	DRAWING NO. 29-4105	SIZE C
-----------------	------------------------	-----------

X-ON Electronics

Largest Supplier of Electrical and Electronic Components

Click to view similar products for [RF Adapters - Between Series category](#):

Click to view products by [Bel Fuse manufacturer](#):

Other Similar products are found below :

[5945-9503-000](#) [ADBJ20-E1-BJ379](#) [242191](#) [9317505](#) [AD130](#) [ADBJ20-E2-BJ79](#) [ADBJ77-A1PL3155](#) [242190](#) [242215](#) [25-7580TP](#)
[R921391000](#) [HRM.J-ML51.J-A](#) [1057367-1](#) [8311505](#) [R114704000](#) [R192421000](#) [R451034000](#) [R451032500](#) [242201RP](#) [03K719-S22S3](#) [AD-](#)
[RSMAF-RTNC](#) [02K119-S00E3](#) [53K156-K00N5](#) [02K119-K00E3](#) [02S119-S00E3](#) [28K132-K00N5](#) [29-3840P](#) [ADP-SMAF-MMCXM](#) [TM-](#)
[FMEM-NDS-50](#) [AD-MQF-QCM-PM-2.5](#) [AD-QCF-QCF-SP-2.5](#) [AD-HQM-QCM-PM-2.5](#) [AD-MQM-QCM-PM-2.5](#) [AD-HQF-QCM-PM-2.5](#)
[PRFBA-100-J-185-J-S](#) [000-2900](#) [R191630007](#) [1057377-1](#) [321-350-001 \(SMA-50-R/2-RG316/N2.01\)](#) [RF2-02-T-02-50-G](#) [RF2-03-T-00-50-G](#)
[4295](#) [MCX/M-SMA/F](#) [1269#](#) [1270](#) [BNC\(75\)J-H.FLJ-BPA-V\(40\)](#) [1296](#) [1297](#) [321-103-002 \(SMA-50/2-RG58/W3.02\)](#) [321-351-001 \(SMA-](#)
[50-R/2-H155/N1.01\)](#)