

THE INFORMATION CONTAINED HEREON IS THE PROPERTY OF EMERSON NETWORK POWER. RECEIPT, POSSESSION OR TRANSMITTAL OF THIS DRAWING DOES NOT LICENSE OR IMPLY ANY RIGHT TO USE, SELL, PRODUCE OR MANUFACTURE FROM THIS INFORMATION. ANY REPRODUCTION OR PUBLICATION OF THIS INFORMATION, IN WHOLE OR IN PART, SHALL BE MADE WITHOUT WRITTEN AUTHORIZATION FROM EMERSON NETWORK POWER.

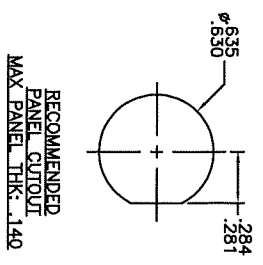
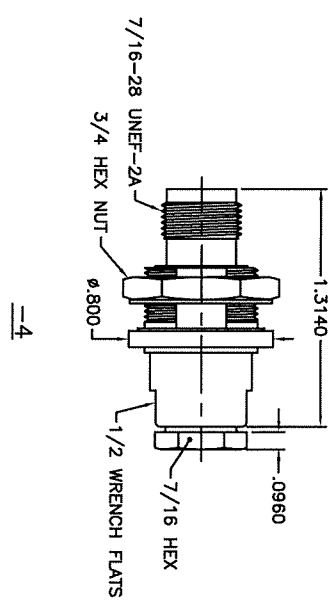
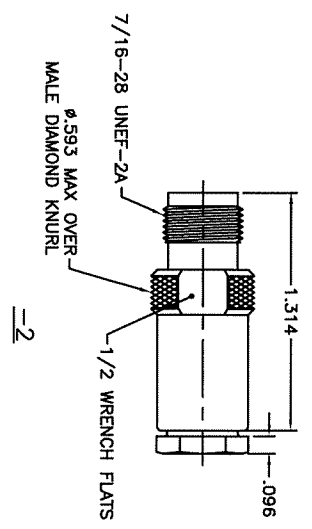
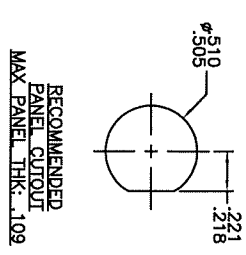
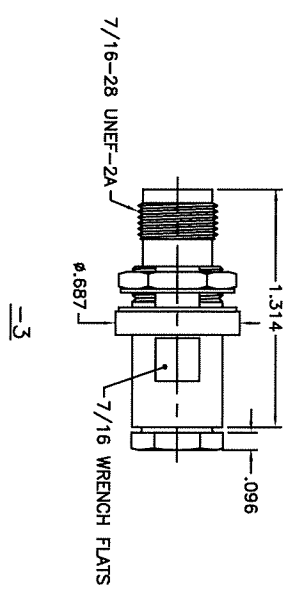
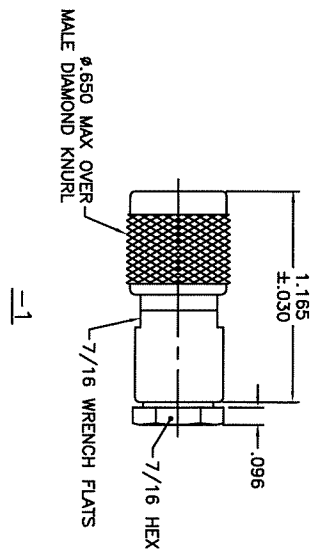
MODEL NUMBER	CONNECTOR TYPE	MATERIAL	ASSEMBLE PER
305-0486-1	PL375	315-0011-25	SHEET 2
305-0486-2	CJ370	3-0066-25	
305-0486-3	BJ379	3-0074-25	
305-0486-4	BJ374	3-0073-25	

DWG NO. 305-0486 SH 1 CUSTOMER

CUSTOMER P/N CUSTOMER REV.

REV	DESCRIPTION	DATE	APPROVED
H	ECO 14329	12/01	MM
J	ECO 55244	9/25/14	P. KLYVE

TABLE 1



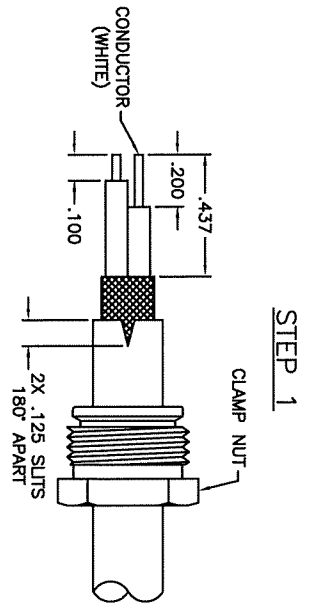
NOTES: UNLESS OTHERWISE SPECIFIED.

1. FINISH: NICKEL.
2. REPLACE 8-1590-25 CLAMP NUT WITH -102 CLAMP NUT AND 8-1600-1 NOTCHED INSERT WITH 8-1600-2 NOTCHED INSERT.
3. 8-0894 INSULATING WASHER TO BE SUPPLIED WITH EACH CONNECTOR.
4. MALE/FEMALE THREADED CONCENTRIC TWINAX/TRIAX CABLE PLUG JACK/INSULATED & NON-INSULATED BULKHEAD MOUNT JACKS FOR MIL-C-915/49, TYPE #25WU-1 AND M24643/33-01UN.
5. SEE 305-0604 FOR 2, 3 & 4 LUG VERSIONS.

UNLESS OTHERWISE SPECIFIED DIMENSIONS ARE IN INCHES		DATE	
FRACTIONS DECIMALS ANGLES		9/29/14	
TOLERANCES UNLESS OTHERWISE SPECIFIED		DRAWN BY WALLACE	
FRACTIONS DECIMALS ANGLES		CHECKED BY KLYVE	
± .005 ± .005 ± .005		APPROVED BY KLYVE	
SCALE 2:1		START DATE 11/8/82	
SHEET 1 OF 3		REV J	

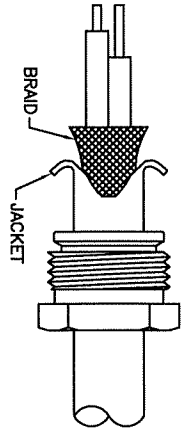
CONNECTIVITY SOLUTIONS

PL375/CJ370/CJ379/BJ374	DWG NO. 305-0486
2SWU-1, M24643/33-01-UN	REV J

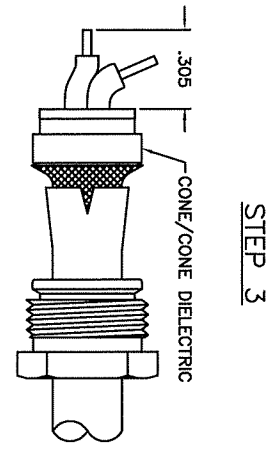


- A. PLACE CLAMP NUT ON CABLE.
- B. STRIP CABLE AS SHOWN.
- C. LIGHTLY TIN CONDUCTORS.

**STEP 2**

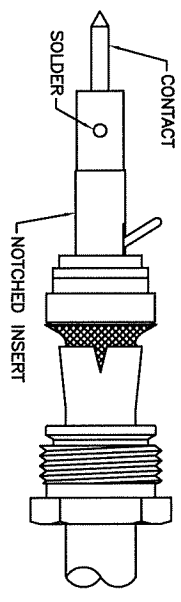


- A. FOLD BACK JACKET AS FAR AS POSSIBLE.
- B. FLARE BRAID OUTWARD TO 45° MIN.
- C. RELEASE JACKET AND ALLOW TO RETURN OVER BRAID.

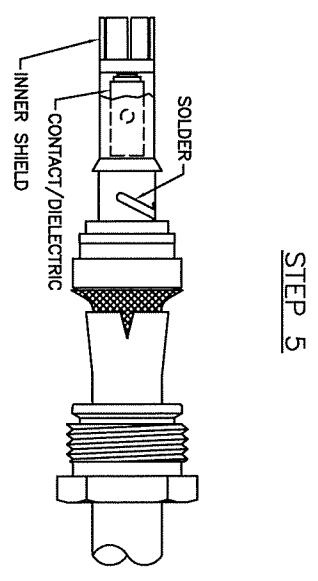


- A. PUSH CONE UNDER BRAID UNTIL BLACK CONDUCTOR EXTENDS TO DIM SHOWN.
- B. PLACE INSULATING WASHER OVER CONDUCTORS AND SEAT AGAINST CONE DIELECTRIC.
- C. BEND WHITE INSULATED CONDUCTOR AT A RIGHT ANGLE AND POSITION BLACK INSULATED CONDUCTOR TO CENTER OF CABLE.

**STEP 4**

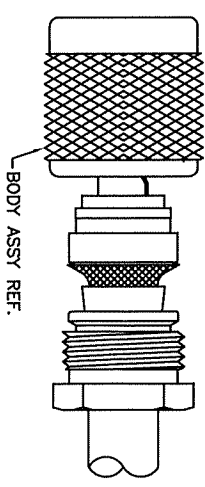


- A. PLACE NOTCHED INSERT OVER BLACK CONDUCTOR UNTIL BOTTOMED ON INSULATING WASHER (WHITE CONDUCTOR EXTENDS OUTWARD THRU NOTCH).
- B. INSTALL CONTACT ON CONDUCTOR AND SOLDER IN PLACE.



- A. PLACE CONTACT DIELECTRIC OVER CONTACT AND INSTALL INNER SHIELD OVER CONTACT DIELECTRIC WITH WHITE INSULATED CONDUCTOR THRU SIDE SLOT UNTIL BOTTOMED AGAINST INSULATING WASHER.
- B. WRAP CONDUCTOR BETWEEN RIDGES OF INNER SHIELD AND SOLDER. DO NOT ALLOW CONDUCTOR OR SOLDER TO EXTEND ABOVE RIDGES.
- C. TRIM BRAID FLUSH TO EDGE OF CONE.

**STEP 6**



- A. BRING UP CLAMP NUT AND FIRMLY PUSH FORWARD ON CONE.
- B. INSTALL ENTIRE ASSY INTO BODY ASSY AND ENGAGE THREADS.
- C. WRENCH TIGHTEN TO 25-35 IN LBS TORQUE.

SIZE	DATE CODE	FIG. NO.	REV.
C	14949	305-0486	J
SCALE	N/A	SHEET	2 OF 3

## X-ON Electronics

Largest Supplier of Electrical and Electronic Components

*Click to view similar products for [RF Connectors / Coaxial Connectors](#) category:*

*Click to view products by [Bel Fuse](#) manufacturer:*

Other Similar products are found below :

[8915-1511-000](#) [89674-0827](#) [6001-7071-019](#) [6002-7051-003](#) [6002-7551-202](#) [6059674-1](#) [619550-1](#) [630059-000](#) [M39030/3-01N](#) [6500-7071-046](#) [6769](#) [CX050L2AQ](#) [7002-1541-010](#) [7002-1542-011](#) [7004-1512-000](#) [7009-1511-004](#) [7010-1511-000](#) [7029-1511-060](#) [7101-1541-010](#) [7101-1571-002](#) [7145-1521-002](#) [7203-1571-003](#) [7209-1511-011](#) [7210-1511-015](#) [7210-1511-019](#) [73137-5015](#) [73216-2241](#) [73404-2300](#) [7405-1521-005](#) [7405-1521-802](#) [8527](#) [8547](#) [FS11V](#) [877931](#) [8808-1511-001](#) [9049-9513-000](#) [9074-9513-000](#) [9101-9573-002](#) [910A205F](#) [9130-9573-002](#) [PL11SC-026](#) [PL375-33](#) [PL40-5](#) [PL74C-221](#) [PL75MC-217](#) [PL803-7](#) [1200690078](#) [1-201144-1](#) [R107003010W](#) [R110A172100](#)