

RED INDICATES ORIGINAL

DATA CONTAINED IN THIS DOCUMENT IS PROPRIETARY TO TROMPETER ELECTRONICS INC. AND SHALL NOT BE DISCLOSED, COPIED OR USED FOR PROCUREMENT OR MANUFACTURE WITHOUT EXPRESS WRITTEN PERMISSION.

REV		EO	DESCRIPTION	OWN	APPROVED	DATE
A			PRODUCTION RELEASE	DKC		

305-1203 SH

DASH NO	CONNECTOR TYPE	MATERIAL	ASSEMBLY PER	FIG
-1	PL75	310-0002-11	TAI-129	1A
-2	CJ70	3-0043-11		2A
-3	PL375	315-0011-11		1B
-4	CJ370	3-0066-11		2B
-5	PL74	310-0025-11		3A
-6	CJ70TL	3-0217-11		4A
-7	PL75FL	310-0006-11		3B
-8	CJ70FL	3-0101-11		4B
-9	PL73	310-0038-11		5

FIG 1

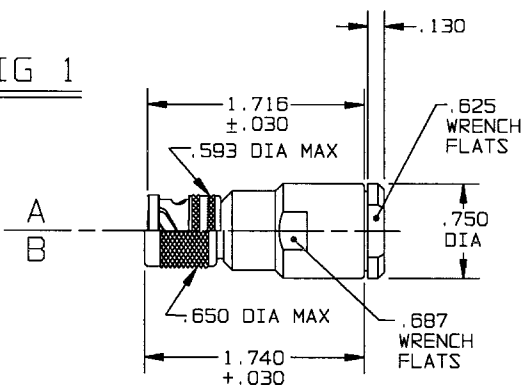


FIG 2

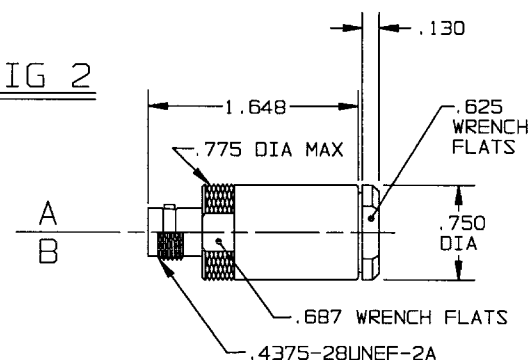


FIG 3

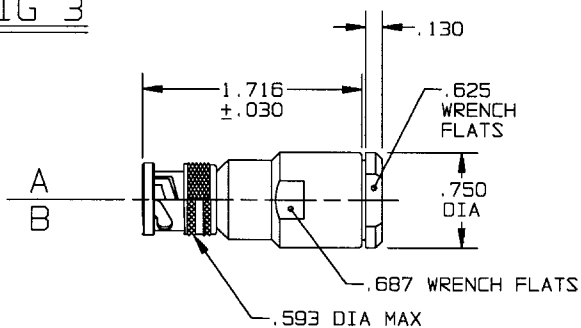


FIG 4

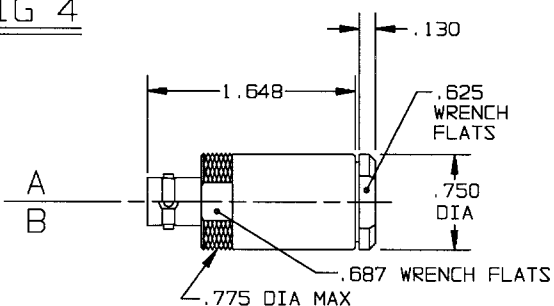
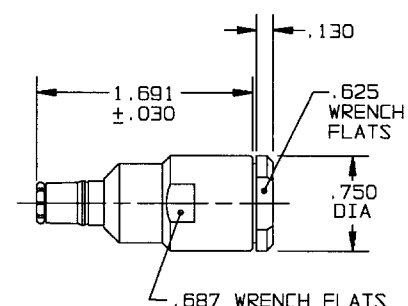


FIG 5



△ REPLACE CLAMP NUT 8-1539-11 WITH CLAMP NUT 8-1580-13

3. CONCENTRIC TWIAX / TRIAX, 2-LUG, 3-LUG, 4-LUG & THREADED CABLE PLUG / RECEPTACLE & PUSH-ON CABLE PLUG FOR TIMES CABLE NO. AA-7621

2. FINISH: TFS-1A (NICKEL)

1. ALL DIM ARE IN INCHES

QTY	DESCRIPTION		PART NUMBER	ITEM
TOL UNLESS SPECIFIED		TROMPETER ELECTRONICS, INC.	"70" SERIES LARGE BODY- AA-7621	
.XX ±	.XXX ± .005		CODE IDENT	14949
DWN	DKC	7-29-98	MATERIAL	DRAWING NO.
CHK	WM	7-30-98	14949	305-1203
ENGR			SCALE	DATE
APPR		7-30-98	DATE	SHEET

NEXT ASSY

X-ON Electronics

Largest Supplier of Electrical and Electronic Components

Click to view similar products for [RF Connectors / Coaxial Connectors](#) category:

Click to view products by [Bel Fuse](#) manufacturer:

Other Similar products are found below :

[8915-1511-000](#) [89674-0827](#) [6002-7051-003](#) [6059674-1](#) [619550-1](#) [630059-000](#) [M39012/25-3026](#) [M39030/3-01N](#) [6501-1071-002](#) [6769](#)
[7002-1541-010](#) [7002-1572-002](#) [7003-1542-011](#) [7004-1512-000](#) [7009-1511-004](#) [7029-1511-060](#) [7101-1541-010](#) [7101-1571-002](#) [7105-1521-](#)
[002](#) [7203-1571-003](#) [7209-1511-011](#) [7210-1511-040](#) [7242-1511-000](#) [73216-2241](#) [73404-2300](#) [7405-1521-005](#) [7405-1521-802](#) [8527](#) [8547](#)
[FS11V](#) [877931](#) [8808-1511-001](#) [9074-9513-000](#) [910A205F](#) [PL40-36](#) [PL71-9](#) [980-8666-005](#) [1200690078](#) [1-201144-1](#) [120919](#)
[R107003010W](#) [R110A172100](#) [R112186000](#) [R113053000W](#) [R113182000W](#) [R113236000](#) [R113240000](#) [R113240097](#) [R113666000](#)
[R114073000W](#)