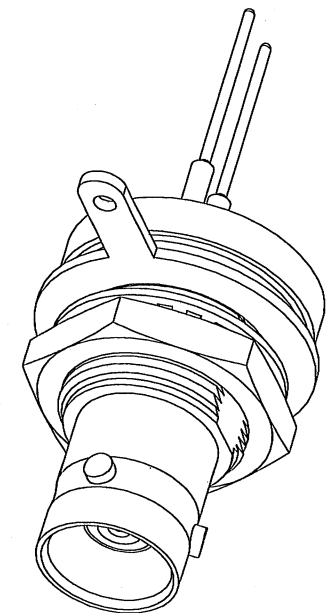
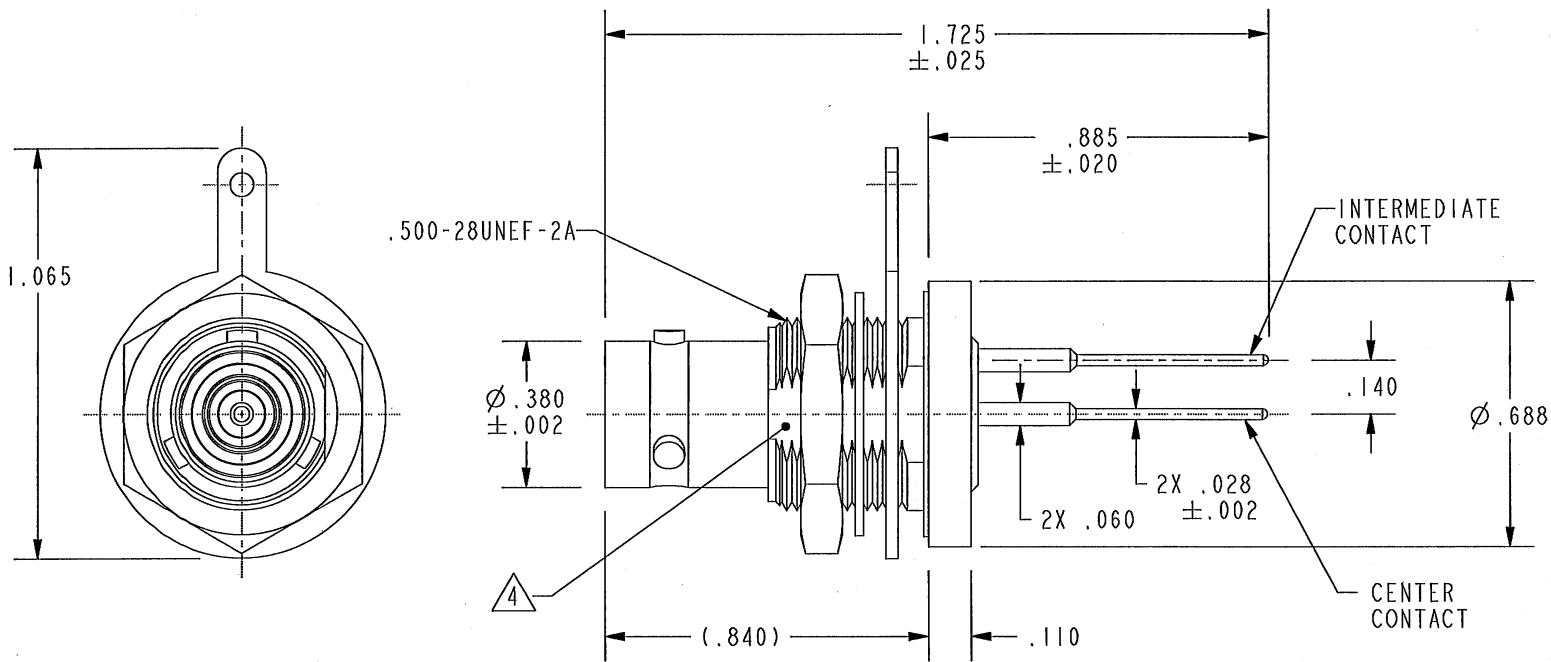


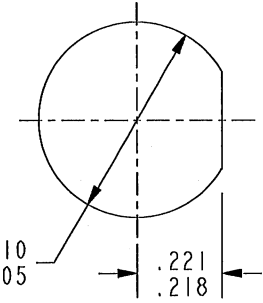
DATA CONTAINED IN THIS DOCUMENT IS PROPRIETARY TO TROMPETER ELECTRONICS INC. AND SHALL NOT BE DISCLOSED, COPIED OR USED FOR PROCUREMENT OR MANUFACTURE WITHOUT EXPRESS WRITTEN PERMISSION.

REVISIONS

REV	DESCRIPTIONS	DATE	APPROVED
E	REVISED PER ECO 16224	2/9/06	mmc



SCALE 2/1



RECOMMENDED PANEL CUT-OUT

RED INDICATES ORIGINAL

- 4 ORIENT "D" FLAT TO PC TAILS AS SHOWN
- 3. MAXIMUM PANEL THICKNESS .208
- 2. CONCENTRIC TWINAX/TRIAX TRB STYLE REAR BULKHEAD MOUNT WITH PC TAILS
- 1 FINISH: BODY: TFS-1A (NICKEL)
CONTACTS: TFS-1B (GOLD 5G)

NOTES: UNLESS OTHERWISE SPECIFIED.

INTERPRET DRAWING PER MIL-STD-100. DIMENSIONS ARE IN INCHES AND INCLUDE FINISH THICKNESS UNLESS OTHERWISE SPECIFIED.		TOL: UNLESS SPECIFIED. .XX ± .02 .XXX ± .010 ANGLE ± 1°						
DRN	L. M.	8-3-06	MATERIAL:			TITLE:		
CHK	CJM	8-8-06	QUALITY	BJ76-SPECIAL				
MANUF			FINISH:			SIZE	CAGE CODE	DRAWING NO.
APPROVED	EM 8/8/02			A	14949	305-1520	E	
PROJ FILE NO.	305-1520			DO NOT SCALE DWG	SCALE	DATE	3-7-02	SHEET

NEXT ASSY

X-ON Electronics

Largest Supplier of Electrical and Electronic Components

Click to view similar products for [RF Connectors / Coaxial Connectors](#) category:

Click to view products by [Bel Fuse](#) manufacturer:

Other Similar products are found below :

[8915-1511-000](#) [89674-0827](#) [6001-7071-019](#) [6002-7051-003](#) [6002-7551-202](#) [6059674-1](#) [619550-1](#) [630059-000](#) [M39030/3-01N](#) [6500-7071-046](#) [6769](#) [CX050L2AQ](#) [7002-1541-010](#) [7002-1542-011](#) [7004-1512-000](#) [7009-1511-004](#) [7010-1511-000](#) [7029-1511-060](#) [7101-1541-010](#) [7101-1571-002](#) [7145-1521-002](#) [7203-1571-003](#) [7209-1511-011](#) [7210-1511-015](#) [7210-1511-019](#) [73137-5015](#) [73216-2241](#) [73404-2300](#) [7405-1521-005](#) [7405-1521-802](#) [8527](#) [8547](#) [FS11V](#) [877931](#) [8808-1511-001](#) [9049-9513-000](#) [9074-9513-000](#) [9101-9573-002](#) [910A205F](#) [9130-9573-002](#) [PL11SC-026](#) [PL375-33](#) [PL40-5](#) [PL74C-221](#) [PL75MC-217](#) [PL803-7](#) [1200690078](#) [1-201144-1](#) [R107003010W](#) [R110A172100](#)