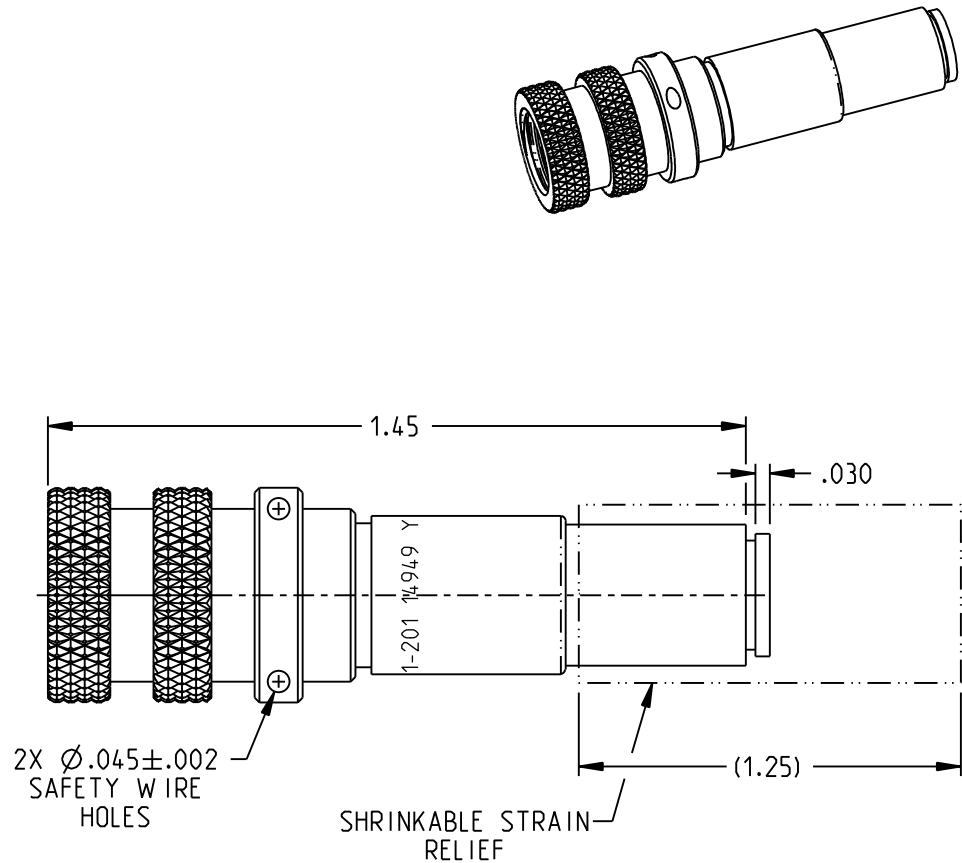
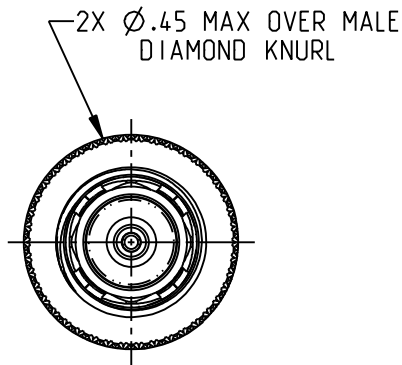


TABLE 1			
BASE MODEL NUMBER	INTERMEDIATE CONTACT	CENTER CONTACT	INTERFACE SPEC
305-1535-1	PIN	SOCKET	MIL-PRF-49142/16
305-1535-2	SOCKET	PIN	

TABLE 2			
CABLE GROUP	CABLES ACCOMMODATED	ASSEMBLE PER	
-201	M17/176-00002	TAI-162	
-202	TWC-78-1, TROMPETER		
-203	TWC-124-1A, TROMPETER		
-204	10602, RAYCHEM		
-205	TWAC-78-1F2, TROMPETER		
-206	7826D0130, RAYCHEM		
-208	202-3927, MICRODOT		
-209	202-3942, MICRODOT		
-212	2524E0114, RAYCHEM		
-217	GC875TM24H, GRUMMAN		
-218	EPD221888, RAYCHEM		
-219	2526D1114, RAYCHEM		
-220	GC875RR1, GRUMMAN		
-221	10614, RAYCHEM		
-222	10613, RAYCHEM		
-223	HMS2-1149, HUGHES		
-303	7528A5314, RAYCHEM		TAI-190



305-1535-1-201 SHOWN

NOTES: UNLESS OTHERWISE SPECIFIED.

1. MATERIAL & FINISH:

- 1.1 BODY & CRIMP BUSHING: NICKEL PLATED BRASS
- 1.2 INSULATOR & DIELECTRIC: PTFE (TEFLON)
- 1.3 INTERMEDIATE CONTACT:
 - 1.3.1 PIN: GOLD PLATED BRASS
 - 1.3.2 SOCKET: GOLD PLATED BERYLLIUM COPPER
- 1.4 CENTER CONTACT: GOLD PLATED BERYLLIUM COPPER
- 1.5 SEALING SLEEVE: POLYOLEFIN

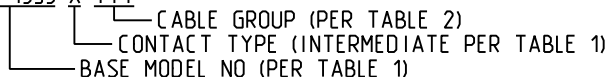
2. SEALING SLEEVE, CRIMP BUSHING AND CONTACT SUB-ASSEMBLY SUPPLIED LOOSE.

3. WHEN TESTED PER ASTM E595:

- 3.1 TOTAL MASS LOSS (TML): LESS THAN 1.0%
- 3.2 COLLECTED VOLATILE CONDENSED MATERIALS (CVCM): LESS THAN 0.10%

4. EXAMPLE OF COMPLETE MODEL NO.

305-1535-X-YYY



<p>This PROPRIETARY Document is property of Cinch Connectivity Solutions. It is confidential in nature, non-transferable, and issued with the clear understanding that it is not traced or copied without permission and is returnable upon demand.</p> <p>INTERPRET DRAWING IN ACCORDANCE WITH ASME Y14.5-2009.</p>	<p>3RD ANGLE PROJECTION</p>	<h2>TROMPETER</h2>	
	<p>RoHS2 <input checked="" type="checkbox"/></p> <p>2011/65/EU</p> <p>UNLESS OTHERWISE SPECIFIED UNITS: INCH</p> <p>.XX ±.02</p> <p>.XXX ±.010</p> <p>ANGLES ±2°</p>	<p>Title: TRL SERIES CABLE PLUG, TOOL CRIMP, VACUUM READY</p> <p>Model No. 305-1535-X-YYY</p>	<p>Size A</p>
		<p>Date: 10/23/2018</p>	<p>Sheet 1 OF 1</p>

X-ON Electronics

Largest Supplier of Electrical and Electronic Components

Click to view similar products for [RF Connectors / Coaxial Connectors](#) category:

Click to view products by [Bel Fuse](#) manufacturer:

Other Similar products are found below :

[8915-1511-000](#) [89674-0827](#) [6001-7071-019](#) [6002-7051-003](#) [6059674-1](#) [619550-1](#) [630059-000](#) [M39030/3-01N](#) [6769](#) [CX050L2AQ](#) [7002-1541-010](#) [7002-1542-011](#) [7002-1572-002](#) [7003-1542-011](#) [7004-1512-000](#) [7009-1511-004](#) [7010-1511-000](#) [7029-1511-060](#) [7101-1541-010](#) [7101-1571-002](#) [7145-1521-002](#) [7203-1571-003](#) [7209-1511-011](#) [7210-1511-015](#) [7210-1511-019](#) [73137-5015](#) [73216-2241](#) [73404-2300](#) [7405-1521-005](#) [7405-1521-802](#) [8527](#) [8547](#) [FS11V](#) [9049-9513-000](#) [9074-9513-000](#) [9101-9573-002](#) [910A205F](#) [9130-9573-002](#) [PL11SC-026](#) [PL375-33](#) [PL40-5](#) [PL74C-221](#) [PL75MC-217](#) [PL803-7](#) [980-8666-005](#) [1200690078](#) [1-201144-1](#) [R107003010W](#) [R110A172100](#) [R112186000](#)