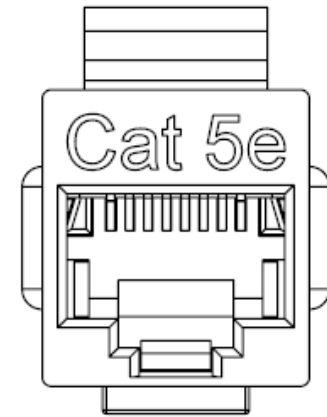
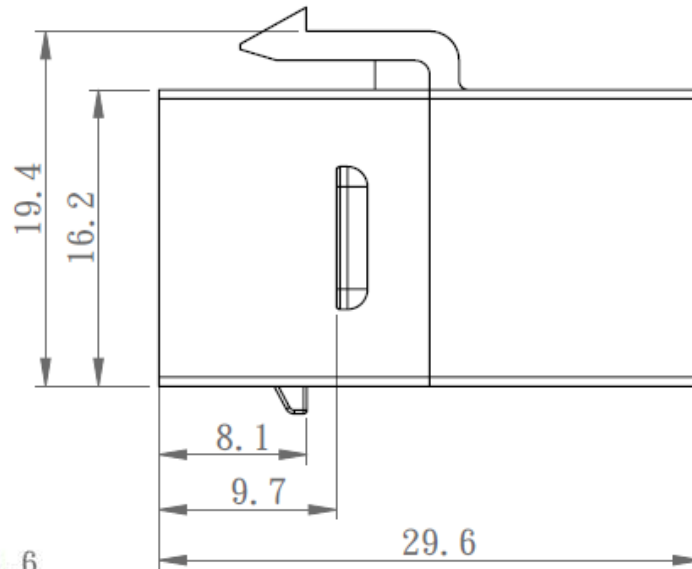
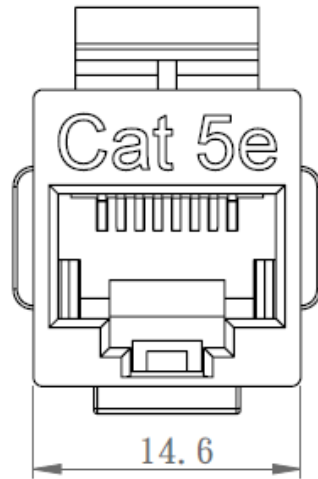
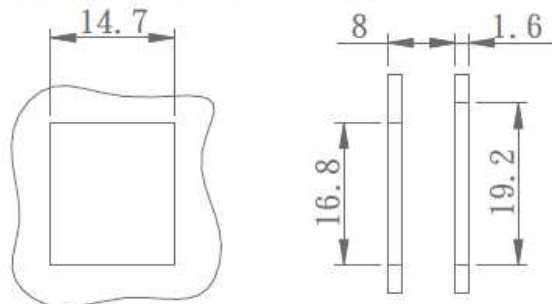

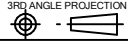


DESCRIPTION:	CAT 5E SLIMLINE COUPLER, BLACK	
MODEL NUMBER:	30-9344B	
APPLICATION:	COUPLER	
CRIMP TOOL:	N/A	
IMPEDANCE:	N/A	
FREQUENCY RANGE:	N/A	
MATERIAL:	COUPLER HOUSING	PC, UL94 V-0
	CONTACT HOLDER	ABS, UL94 V-0
	SPRING WIRE	PHOSPHOR BRONZE, GOLD PLATED
RoHS COMPLIANCE:	YES	
TECHNICAL DETAIL:	N/A	



SUGGESTED MOUNTING CUTOUT



 <small>This PROPRIETARY Document is property of Cinch Connectivity Solutions. It is confidential in nature, non-transferable, and issued with the clear understanding that it is not to be copied or reprinted without permission and is returnable upon demand.</small> <small>INTERPRET DRAWING IN ACCORDANCE WITH ASME Y14.5-2009.</small>	 RoHS2 <input checked="" type="checkbox"/> 2011/65/EU	AIM-Cambridge		
	<small>UNLESS OTHERWISE SPECIFIED UNITS: METRIC</small> .X ±.51 .XX ±.127 ANGLES ±2°	Title: CAT 5E SLIMLINE COUPLER, BLACK		
	Size A	Model No. 30-9344B	Date: 2017/2/20	Sheet 1 of 1
	DO NOT SCALE DRAWING	Sheet 1 of 1		

X-ON Electronics

Largest Supplier of Electrical and Electronic Components

Click to view similar products for [Modular Connectors / Ethernet Connectors](#) category:

Click to view products by [Bel Fuse](#) manufacturer:

Other Similar products are found below :

[8949-H88/06BLKA/SN](#) [74441-0010/BKN](#) [MP1010RX-1000](#) [MP44RX-1000](#) [PHJ-4P4C-1-V-4](#) [PHP-6P6C-5](#) [GAX-3-66](#) [GAX-8-62](#) [GDCX-PA-66-50](#) [GDCX-PN-64](#) [GDCX-PN-66](#) [GDCX-PN-66-50](#) [GDLX-A-66](#) [GDLX-N-66](#) [GDLX-S-66](#) [GDLX-S-88K](#) [GDLX-SMT-S-88](#) [GDTX-S-88-50](#) [GDX-PA-1010](#) [GLX-N-1010M-BLK](#) [GLX-S-88M-BLK](#) [GMX-N-1010](#) [GMX-S-1010](#) [GMX-S-66](#) [GMX-SMT4-N-88](#) [GPX-2-64](#) [GSGX-N-2-88](#) [GSGX-N-4-88](#) [GSX-NS2-88-3.05](#) [GSX-NS2-88-3.05-50](#) [GSX-NS-88-3.05-50](#) [PT-108A-8C-UL](#) [PT-J951-8C](#) [PTS-J531-8CS-50UL](#) [1-1775629-2](#) [A-2014-0-4](#) [GWLX-S-88-GR](#) [GWLX-S9-88-YG](#) [DC-1021-8-WH-6](#) [1300530003](#) [1324640-4](#) [RJ11FTVC2G](#) [RJ11FTVC2N](#) [RJFTVX2SA1G](#) [132764-001](#) [1413235](#) [MP88X-1000](#) [MPS88RX-5000](#) [E5288-S000K3-L](#) [E5908-15A242-L](#)