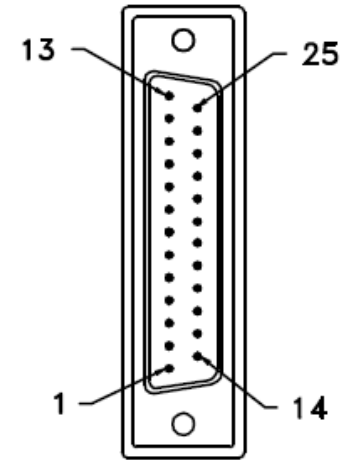
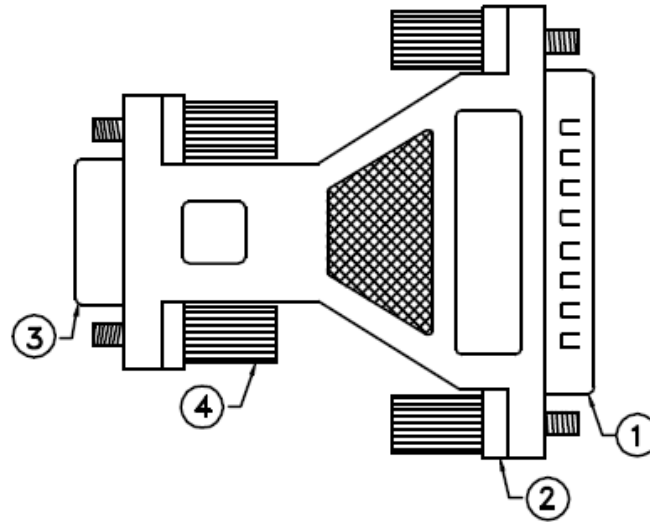
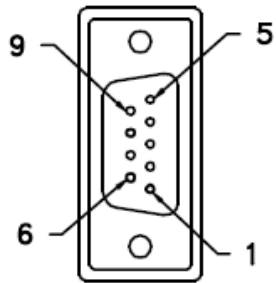




DESCRIPTION: GENDER ADAPTER DB9 (F) to DB25 (M)
 MODEL NUMBER: 30-9516



DIM OUTLINE

<i>Pin Assignment</i>		
DB9 Female		DB25 Male
1	_____	8
2	_____	3
3	_____	2
4	_____	20
5	_____	7
6	_____	6
7	_____	4
8	_____	5
9	_____	22
G	_____	G

ITEM NO.	MATERIAL / SPECIFICATION	QTY REQD	UNIT
4.	4/40 Molded Thumbscrew, Color Beige	4	PCS.
3.	D-Sub 9 Pin Female w/Gold Plating Contacts	1	PCS.
2.	Beige Molded PVC Hood, Fully Shielded w/AL-FOIL	1	PCS.
1.	D-Sub 25 Pin Male W/Gold Plating Contacts	1	PCS.
CABLE ASSEMBLY PARTS LIST			

<p>The PROPRIETARY Documents is property of Cinch Connectivity Solutions. It is confidential in nature, non-transferable, and issued with the clear understanding that it is not to be copied without permission and is returnable upon demand.</p> <p>INTERPRET DRAWING IN ACCORDANCE WITH ASME Y14.5-2009.</p>	<p>3RD ANGLE PROJECTION</p>	AIM-Cambridge	
	<p>RoHS2 <input checked="" type="checkbox"/></p> <p>2011/65/EU</p>	<p>Title: GENDER ADAPTER DB9 (F) to DB25 (M)</p>	
	<p>UNLESS OTHERWISE SPECIFIED UNITS: METRIC</p> <p>.X ±.2</p> <p>.XX ±.07</p> <p>ANGLES ±2°</p>	<p>Model No. 30-9516</p>	<p>Size A</p>
	<p>DO NOT SCALE DRAWING</p>	<p>Date: 11/10/2015</p>	<p>Sheet 1 of 1</p>

X-ON Electronics

Largest Supplier of Electrical and Electronic Components

Click to view similar products for D-Sub Adapters & Gender Changers category:

Click to view products by Bel Fuse manufacturer:

Other Similar products are found below :

[243A10120X](#) [243A11070X](#) [243A13290X](#) [243A13460X](#) [300X10729X](#) [300X10759X](#) [GCHDLP26F26F](#) [30-9532P](#) [40-9586FP](#) [500-135](#) [40-9526HDMP](#) [56F715-003](#) [243A11800X](#) [243A10560X](#) [40-9526HDSP](#) [243A11060X](#) [56-745-005](#) [243A10580X](#) [56-725-001](#) [SC485](#) [173114-0088](#) [173114-0099](#) [76000670](#) [76000700](#) [NADB9MF](#) [2902323](#) [2902326](#) [40-9538F](#) [163A50049X](#) [NADB15FF-B](#) [NADB9FF-B](#) [243A10030X](#) [76000671](#) [163A50029X](#) [16-501373](#) [FCC17-A15AD-280](#) [FCC17-E09AD-210](#) [FCE17-A15AD-250](#) [FCE17-B25AD-210](#) [FCE17-B25AD-250](#) [FCE17B25AD290](#) [FCE17-E09AD-210](#) [FCE5709500430](#) [2310387](#) [GCHDLP44M44M](#) [GCLP25M25F](#) [FCC17A15AD2E0](#) [FCC17C37AD280](#) [FCC17-E09AD-280](#) [FCC17E09AD293](#)