

5

4

3

2

1



Description: Gender Adapter DB9 (M) to DB25 (F)
 Part No: 30-9520

DRAWING NO.
30-9520-CUST

REVISIONS

01						OFFICIAL RELEASE					
12-19-12	G	Z	M	W	L						ECO-12-0335

D

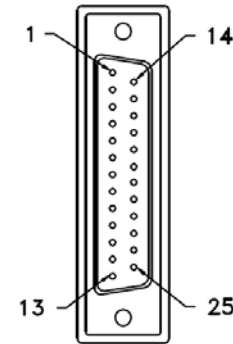
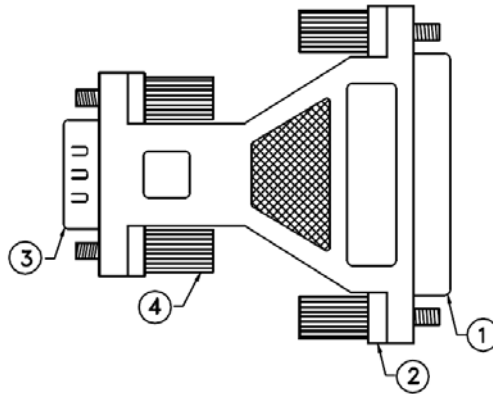
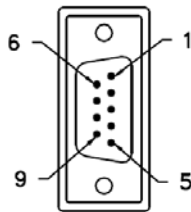
D

C

C

Pin Assignment

DB9 Male	DB25 Female
1	8
2	3
3	2
4	20
5	7
6	6
7	4
8	5
9	22
G	G



DIM OUTLINE

B

B

CUSTOMER COPY

A

A

ITEM NO.	MATERIAL / SPECIFICATION	QTY REQD	UNIT
4.	4/40 Molded Thumbscrew, Color Beige	2	PCS.
3.	D-Sub 9 Pin Male w/Gold Plating Contacts	1	PCS.
2.	Beige Molded PVC Hood, Fully Shielded w/AL-FOIL	1	PCS.
1.	D-Sub 25 Pin Female W/Gold Plating Contacts	1	PCS.

CABLE ASSEMBLY PARTS LIST

TOLERANCE UNLESS OTHERWISE SPECIFIED		DRAWN BY GARY.ZHG	DATE 12-19-12
DECIMALS	mm	CHECKED BY MONICA.W	DATE 12-19-12
X.X	+ 0.2	APPROVED BY MA LIN	DATE 12-19-12
X.XX	+ 0.1		
X.XXX	+0.08		
ANGLES	+ 0.5°	U/M	mm



TITLE
Gender Adapter DB9 (M) to DB25 (F)

THIS DRAWING WAS PRODUCED BY COMPUTER,
DO NOT SCALE DRAWING OR UPDATE MANUALLY.

SHEET 1 OF 1	DRAWING NO. 30-9520-CUST	SIZE A
-----------------	-----------------------------	-----------

5

4

3

2

1

X-ON Electronics

Largest Supplier of Electrical and Electronic Components

Click to view similar products for D-Sub Adapters & Gender Changers category:

Click to view products by Bel Fuse manufacturer:

Other Similar products are found below :

[243A10120X](#) [243A11070X](#) [243A13290X](#) [243A13460X](#) [300X10729X](#) [300X10759X](#) [GCHDLP26F26F](#) [30-9532P](#) [40-9586FP](#) [500-135](#) [40-9526HDMP](#) [56F715-003](#) [243A11800X](#) [243A10560X](#) [40-9526HDSP](#) [243A11060X](#) [56-745-005](#) [243A10580X](#) [56-725-001](#) [SC485](#) [173114-0088](#) [173114-0099](#) [76000670](#) [76000700](#) [NADB9MF](#) [2902323](#) [2902326](#) [40-9538F](#) [163A50049X](#) [NADB15FF-B](#) [NADB9FF-B](#) [243A10030X](#) [76000671](#) [163A50029X](#) [16-501373](#) [FCC17-A15AD-280](#) [FCC17-E09AD-210](#) [FCE17-A15AD-250](#) [FCE17-B25AD-210](#) [FCE17-B25AD-250](#) [FCE17B25AD290](#) [FCE17-E09AD-210](#) [FCE5709500430](#) [2310387](#) [GCHDLP44M44M](#) [GCLP25M25F](#) [FCC17A15AD2E0](#) [FCC17C37AD280](#) [FCC17-E09AD-280](#) [FCC17E09AD293](#)