

5

4

3

2

1

DRAWING NO. 32-1004-CUST(SEE TABLE I)			
REVISIONS			
01	OFFICIAL RELEASE		2009.09.0 08-09-15 +08'00'
	08-12-09	Y U Y U T H	<i>Betty</i>

Description: See Table I
 Part No: See Table I
 Application: Unshielded Modular In-line Coupler
 Cross Wired for Voice Applications
 Crimp Tool: N/A
 Impedance: N/A
 Frequency Range: N/A
 Material: Wire 26AWG,PVC,OD1.0mm,UL1061
 Housing ABS,Color See Table I
 Pin Phosphor Bronze,Copper Plated
 RoHS Compliance: Yes
 Technical Detail: N/A



受控 CONTROLLED DOCUMENT					
编号 P/N	30-1004-C UST	版本 Rev	01	日期 Rel'd Date	SEP 14,09

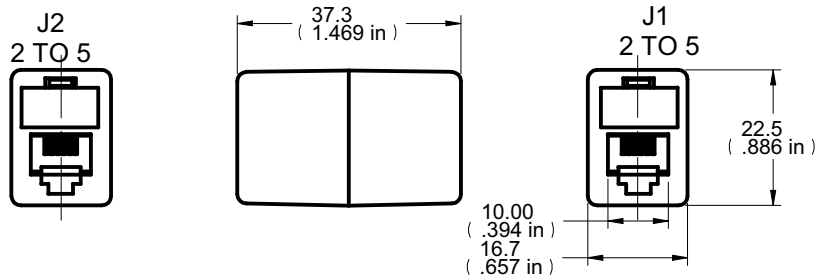
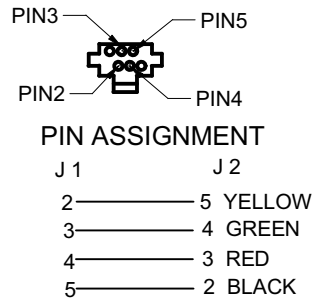


TABLE I

P/N	Description	Color
32-1004	RJ11 6P4C COUPLER X-WIRED,IV	Ivory
32-1004W	RJ11 6P4C COUPLER X-WIRED,WH	White

CUSTOMER COPY



DIM OUTLINE

TOLERANCE UNLESS OTHERWISE SPECIFIED	DRAWN BY BETTY.YU	DATE 08-12-09	
		CHECKED BY BETTY.YU	DATE 08-12-09
DECIMALS	mm	APPROVED BY THOMAS	DATE 08-12-09
		ANGLES	± 0.5°
U/M		mm	

EMERSON
Network Power

Connectivity Solutions

TITLE
RJ11 6P4C COUPLER X-WIRED,IV
(SEE TABLE I)

SHEET 1 OF 1	DRAWING NO. 32-1004-CUST (SEE TABLE I)	SIZE A
-----------------	--	-----------

THIS DRAWING WAS PRODUCED BY COMPUTER, DO NOT SCALE DRAWING OR UPDATE MANUALLY.

5

4

3

2

1

X-ON Electronics

Largest Supplier of Electrical and Electronic Components

Click to view similar products for [Modular Connectors / Ethernet Connectors](#) category:

Click to view products by [Bel Fuse](#) manufacturer:

Other Similar products are found below :

[8949-H88/06BLKA/SN](#) [74441-0010/BKN](#) [MP1010RX-1000](#) [MP44RX-1000](#) [PHJ-4P4C-1-V-4](#) [PHP-6P6C-5](#) [GAX-3-66](#) [GAX-8-62](#) [GDCX-PA-66-50](#) [GDCX-PN-64](#) [GDCX-PN-66](#) [GDCX-PN-66-50](#) [GDLX-A-66](#) [GDLX-N-66](#) [GDLX-S-66](#) [GDLX-S-88K](#) [GDLX-SMT-S-88](#) [GDTX-S-88-50](#) [GDX-PA-1010](#) [GLX-N-1010M-BLK](#) [GLX-S-88M-BLK](#) [GMX-N-1010](#) [GMX-S-1010](#) [GMX-S-66](#) [GMX-SMT4-N-88](#) [GPX-2-64](#) [GSGX-N-2-88](#) [GSGX-N-4-88](#) [GSX-NS2-88-3.05](#) [GSX-NS2-88-3.05-50](#) [GSX-NS-88-3.05-50](#) [PT-108A-8C-UL](#) [PT-J951-8C](#) [PTS-J531-8CS-50UL](#) [1-1775629-2](#) [A-2014-0-4](#) [GWLX-S-88-GR](#) [GWLX-S9-88-YG](#) [DC-1021-8-WH-6](#) [1300530003](#) [1324640-4](#) [RJ11FTVC2G](#) [RJ11FTVC2N](#) [RJFTVX2SA1G](#) [132764-001](#) [1413235](#) [MP88X-1000](#) [MPS88RX-5000](#) [E5288-S000K3-L](#) [E5908-15A242-L](#)