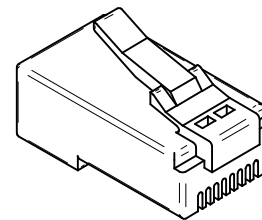
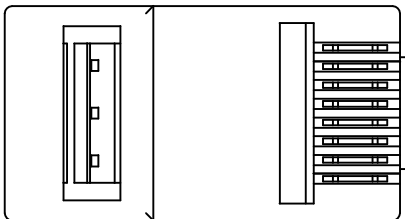
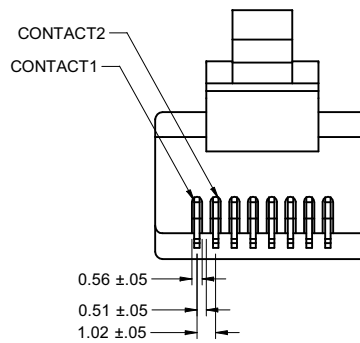
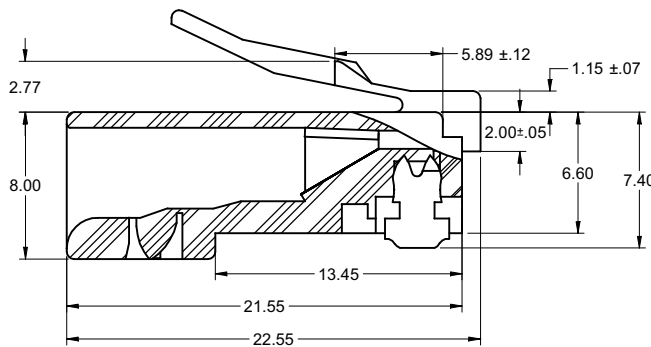
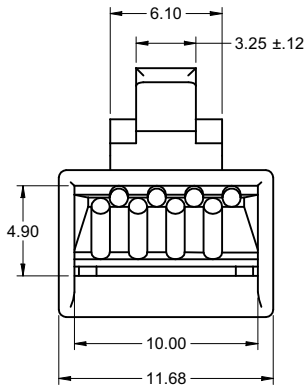
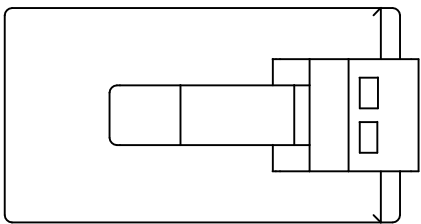


受控 CONTROLLED DOCUMENT

编号 P/N	32-2198U L	版本 Rev	01	日期 Rel'd Date	SEP 14,09
-----------	------------	-----------	----	------------------	-----------

DRAWING NO. 32-2198UL			
REVISIONS			
01	OFFICIAL RELEASE	2009.09.0	
08-15-09	Y	W	T <i>Betty</i> 08:45:02 -08:00



NOTES:

1. ELECTRICAL SPECIFICATIONS

INSULATION RESISTANCE: 1000 MEGOHMS
 WITHSTAND VOLTAGE: 1000V,AC/ MINUTE

2. MECHANICAL SPECIFICATIONS

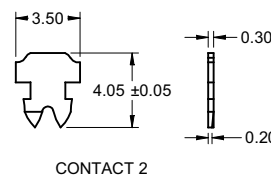
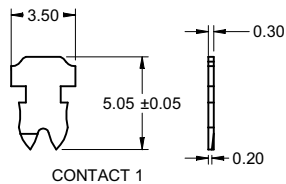
CONTACT MATERIAL: PHOSPHOR BRONZE 0.3MM THICKNESS
 CONTACT PLATING: 50 MICRO-INCH GOLD PLATE OVER 100
 MICRO-INCH NICKEL PLATING
 HOUSING MATERIAL: POLYCARBONATE
 DURABILITY: 1000 CYCLES MIN
 UL FLAMABLY RATING: 94-V0

3. ENVIRONMENTAL SPECIFICATIONS

TEMPERATURE RANGE: -40 °C TO +70 °C

4. FOR FLAT OVAL OR ROUND CABLE

5. FOR SOLID OR STRANDED WIRE APPLICATIONS



THIS DRAWING TO BE INTERPRETED
 PER ANSI Y 14.5M - 1994

COMPANY CONFIDENTIAL

TOLERANCE UNLESS OTHERWISE SPECIFIED		DRAWN BY BETTY.YU	DATE 08-15-09
DECIMALS	mm	CHECKED BY TREY.W	DATE 08-15-09
X	+ 0.5	APPROVED BY THOMAS	DATE 08-15-09
X.X	+ 0.15	U/M	mm
X.XX	+ 0.10		
ANGLES	+ 0.5°		

EMERSON Network Power		Connectivity Solutions	
TITLE CAT5 PLUG 50 MIC GOLD-2 PIEC			
SHEET 1 OF 1	DRAWING NO. 32-2198UL	SIZE C	

THIS DRAWING WAS PRODUCED BY COMPUTER,
 DO NOT SCALE DRAWING OR UPDATE MANUALLY.

X-ON Electronics

Largest Supplier of Electrical and Electronic Components

Click to view similar products for [Modular Connectors / Ethernet Connectors](#) category:

Click to view products by [Bel Fuse](#) manufacturer:

Other Similar products are found below :

[8949-H88/06BLKA/SN](#) [74441-0010/BKN](#) [MP1010RX-1000](#) [MP44RX-1000](#) [PHJ-4P4C-1-V-4](#) [PHP-6P6C-5](#) [GAX-3-66](#) [GAX-8-62](#) [GDCX-PA-66-50](#) [GDCX-PN-64](#) [GDCX-PN-66](#) [GDCX-PN-66-50](#) [GDLX-A-66](#) [GDLX-N-66](#) [GDLX-S-66](#) [GDLX-S-88K](#) [GDLX-SMT-S-88](#) [GDTX-S-88-50](#) [GDX-PA-1010](#) [GLX-N-1010M-BLK](#) [GLX-S-88M-BLK](#) [GMX-N-1010](#) [GMX-S-1010](#) [GMX-S-66](#) [GMX-SMT4-N-88](#) [GPX-2-64](#) [GSGX-N-2-88](#) [GSGX-N-4-88](#) [GSX-NS2-88-3.05](#) [GSX-NS2-88-3.05-50](#) [GSX-NS-88-3.05-50](#) [PT-108A-8C-UL](#) [PT-J951-8C](#) [PTS-J531-8CS-50UL](#) [1-1775629-2](#) [A-2014-0-4](#) [GWLX-S-88-GR](#) [GWLX-S9-88-YG](#) [DC-1021-8-WH-6](#) [1300530003](#) [1324640-4](#) [RJ11FTVC2G](#) [RJ11FTVC2N](#) [RJFTVX2SA1G](#) [132764-001](#) [1413235](#) [MP88X-1000](#) [MPS88RX-5000](#) [E5288-S000K3-L](#) [E5908-15A242-L](#)