

5

4

3

2

1

D

C

B

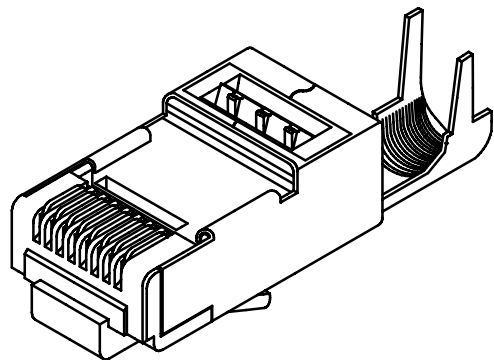
A

D

C

B

A



Description: Eight Conductor MOD Plug, Shield

Part No: 32-2298UL

Plug Tolerance and DIM: Complies with F.C.C requirements

Flame and Extinguish: 94-V0

Operation Temperature: -40°C to +85°C

Contact Resistance: 10 Millohms Max.

Current/Voltage: 30 VAC/42 VDC at 1.5 AMPS

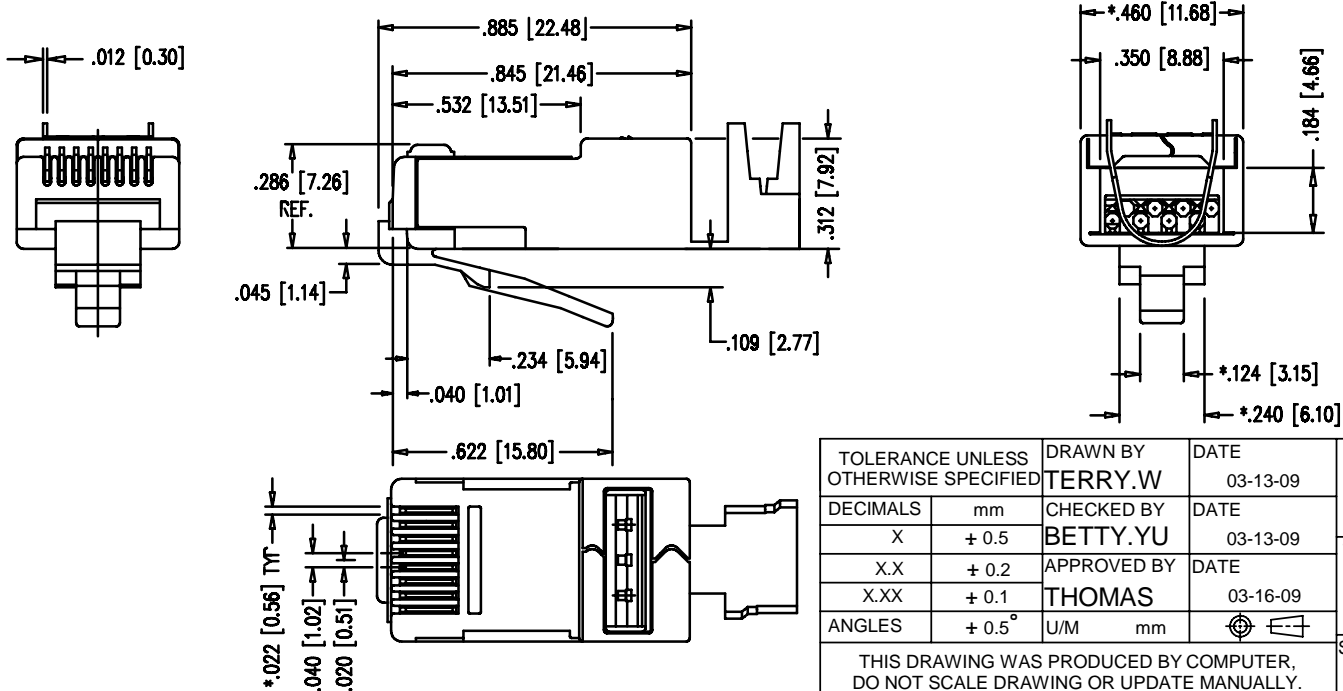
Material: Shield .012THK CDA-260 1/4 HARD BRASS
100-150 MICRO-INCH TIN PLATED

Housing Polycarbonate

Contact Phosphor bronze-.012THK
Gold plated

RoHS Compliance: Yes

Technical Detail: Meets or exceeds Category 5e TIA/EIA 568-B.2



DRAWING NO.	
32-2298UL-CUST	
REVISIONS	
01	OFFICIAL RELEASE
	10-13-09 T W B T
02	TYP0 MISTAKE: BRESS SHOULD BE BRASS
	08-14-12 Y G Y G M L ECO-12-0208

CUSTOMER COPY

TOLERANCE UNLESS OTHERWISE SPECIFIED		DRAWN BY	DATE
DECIMALS	mm	TERRY.W	03-13-09
X	+ 0.5	CHECKED BY	DATE
X.X	+ 0.2	BETTY.YU	03-13-09
X.XX	+ 0.1	APPROVED BY	DATE
ANGLES	+ 0.5°	THOMAS	03-16-09
		U/M	mm

EMERSON
Network Power

Connectivity Solutions

TITLE

Eight Conductor MOD Plug, Shield

THIS DRAWING WAS PRODUCED BY COMPUTER, DO NOT SCALE DRAWING OR UPDATE MANUALLY.

SHEET	DRAWING NO.	SIZE
1 OF 1	32-2298UL-CUST	A

5

4

3

2

1

X-ON Electronics

Largest Supplier of Electrical and Electronic Components

Click to view similar products for [Modular Connectors / Ethernet Connectors](#) category:

Click to view products by [Bel Fuse](#) manufacturer:

Other Similar products are found below :

[8949-H88/06BLKA/SN](#) [74441-0010/BKN](#) [MP1010RX-1000](#) [MP44RX-1000](#) [PHJ-4P4C-1-V-4](#) [PHP-6P6C-5](#) [GAX-3-66](#) [GAX-8-62](#) [GDCX-PA-66-50](#) [GDCX-PN-64](#) [GDCX-PN-66](#) [GDCX-PN-66-50](#) [GDLX-A-66](#) [GDLX-N-66](#) [GDLX-S-66](#) [GDLX-S-88K](#) [GDLX-SMT-S-88](#) [GDTX-S-88-50](#) [GDX-PA-1010](#) [GLX-N-1010M-BLK](#) [GLX-S-88M-BLK](#) [GMX-N-1010](#) [GMX-S-1010](#) [GMX-S-66](#) [GMX-SMT4-N-88](#) [GPX-2-64](#) [GSGX-N-2-88](#) [GSGX-N-4-88](#) [GSX-NS2-88-3.05](#) [GSX-NS2-88-3.05-50](#) [GSX-NS-88-3.05-50](#) [PT-108A-8C-UL](#) [PT-J951-8C](#) [PTS-J531-8CS-50UL](#) [1-1775629-2](#) [A-2014-0-4](#) [GWLX-S-88-GR](#) [GWLX-S9-88-YG](#) [DC-1021-8-WH-6](#) [1300530003](#) [1324640-4](#) [RJ11FTVC2G](#) [RJ11FTVC2N](#) [RJFTVX2SA1G](#) [132764-001](#) [1413235](#) [MP88X-1000](#) [MPS88RX-5000](#) [E5288-S000K3-L](#) [E5908-15A242-L](#)