

Features

- RoHS-compliant for all 6 substances
- Wide input voltage range 12 to 154 VDC
- Output: 50 to 80 VDC
- Class III equipment (no isolation input/output)
- Extremely high efficiency
- Excellent surge and transient protection
- Externally adjustable output voltage
- Programmable undervoltage lockout and inhibit
- Interruption time with external capacitor
- EN 50155, 50121-3-2 observed

Safety-approved to IEC/EN 60950-1 and UL/CSA 60950-1 2nd Ed.



Description

The boost converters were designed in accordance with the standards EN 50155 and EN 50121-3-2 to meet the requirements of various railway and industrial applications in rugged environment. They are particularly suitable to expand the input voltage range of power supplies (e.g. 110IMY15 or 110IMY70 Series DC-DC converters). An additional circuit allows for providing a predefined interruption time.

When the input voltage exceeds a predefined output voltage level, the input voltage is directly fed forward. The converters exhibit an input EMC-filter.

The boost converters are available in a fully enclosed case or open-frame (option Z).

Table of Contents

	Page		Page
Description	1	Electromagnetic Compatibility (EMC)	6
Model Selection	2	Immunity to Environmental Conditions	7
Functional Description	2	Mechanical Data	8
Electrical Input Data	3	Safety and Installation Instructions	9
Electrical Output Data	4	Options	9
Auxiliary Functions	5		

Copyright © 2016, Bel Power Solutions Inc. All rights reserved.

Model Selection

Table 1: Model selection

Input voltage $V_{i \text{ nom}}$	Operating input range V_i	Output voltage V_o	Output current $I_o \text{ nom}$	Type designation	Efficiency ¹		Options
					η_{min}	η_{typ}	
12 V	8.0 – 50 VDC	25 – 50 VDC	3.0 A	12IBX15-25-0G ²			Z
24 V	16.8 – 154 VDC	50 – 154 VDC	1.6 A	24IBX15-50-0G	89%	93%	
36 V	25.2 – 154 VDC	50 – 154 VDC	2.2 A	36IBX15-50-0G	91%	95%	

¹ Efficiency at $V_i = V_{i \text{ min}}$, $V_o = V_o \text{ nom}$, $I_o = I_o \text{ nom}$

² In preparation

Functional Description

The IBX15 boost converter is designed as step-up converter in order to increase the input voltage V_i to the regulated boost voltage V_{oB} .

When V_i exceeds $V_{oB \text{ tr}}$, the output voltage follows V_i . The resulting voltage (see fig. 1) is within the range of $V_{oB \text{ tr}}$ to $V_{i \text{ max}}$, which is suitable for adequate DC-DC converters, e.g. 20IMX15 or 24IMX70 for 12IBX15-25 and 110IMY15 or 110IMY70 for 24/36IBX15-50. The IBX15 converters have no input-to-output isolation; isolation is provided by the DC-DC converters connected to the output.

The inrush current is not limited, but the output capacitor of the IBX15 and the input capacitors of the connected DC-DC converters are relatively small.

The switching frequency is approximately 2×200 kHz (interleaved). A current limiting circuit protects the main FETs from overload. However, the output is not short-circuit proof.

The logic is biased by an auxiliary converter with a switching frequency of approx. 350 kHz. The boost voltage V_{oB} can be

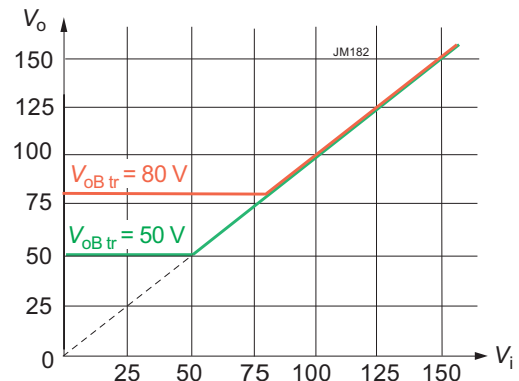


Fig. 1
 V_o versus V_i depending on $V_{oB \text{ tr}}$.

trimmed by resistor R_{BA} to a higher level $V_{oB \text{ tr}}$. This allows together with an external storage capacitor C_{hu} the realization of an interruption time as requested by the railway standard EN 50155. No other components are needed.

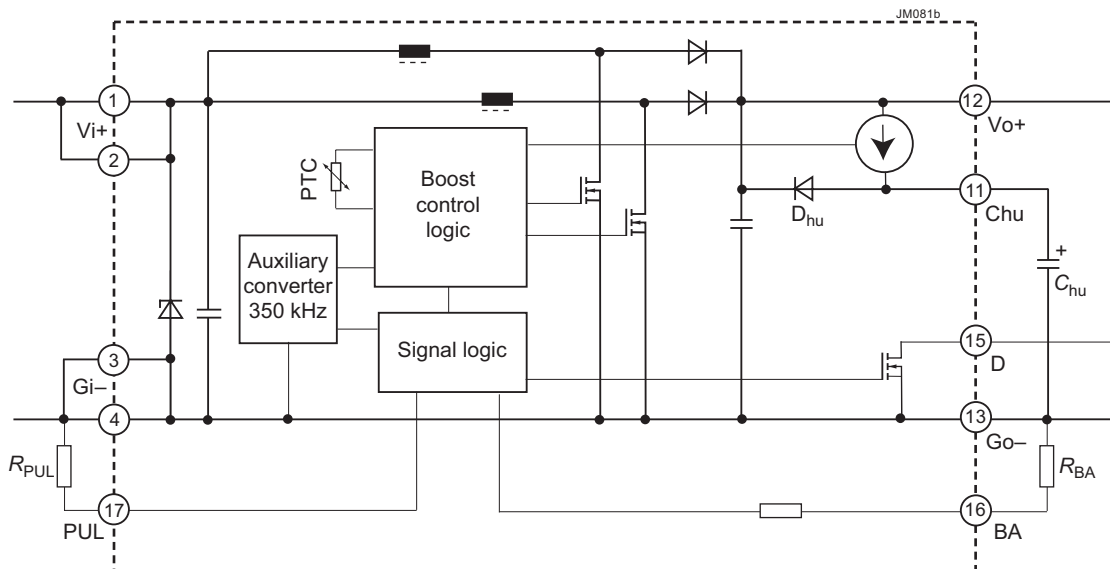


Fig. 2
 Functional diagram

Electrical Input Data

General Conditions:

– $T_A = 25\text{ }^\circ\text{C}$, unless T_C is specified.

Table 2: Input data

Model			12IBX15-25-0G			24IBX15-50-0G			36IBX15-50-0G			Unit
Characteristics		Conditions	min	typ	max	min	typ	max	min	typ	max	
V_i	Operating input voltage		8.0		50.4	16.8		154	25.2		154	V
V_{i2s}	Temporary input voltage	2 s	6.0		60	12		168	21.3		168	
V_{iabs}	Input voltage limits	2 s, without damage			60			176			176	
ΔV_{i0}	Voltage drop $V_i - V_o$	$V_i > V_{oB}$			0.7			1			1	
I_i	Typ. input current	$V_{i min}, I_{o nom}$			10			8			6	A
C_i	Input capacitance	for surge calculation							4			μF
t_{start}	Start-up time of V_o	$V_i \rightarrow V_{i min}$ or after shutdown			500			500			500	ms
P_{i0}	No-load input power	$V_{i min} - V_{i max}, I_o = 0$					1.0	1.5		1.0	1.5	W
P_{iSD}	Input power with shutdown	$V_{i min} - V_{i max}, V_{PUL} = 0$										

Input Protection and Fuse

No fuse is incorporated inside the converter. Consequently, an external fuse or a circuit breaker at system level should be installed to protect against severe defects; see table 4.

Reverse polarity protection is provided by an antiparallel diode across the input, causing the external input fuse or circuit breaker to trip.

Note: The fuses in table 4 apply to batteries with $V_{i nom} = 24$ or 36 V. In applications using batteries with higher voltage, fuses with lower current may suit better.

Table 4: Recommended external fuses in the non-earthed input line

Converter model	Fuse type
12IBX15-25-0G	
24IBX15-50-0G	Littlefuse 218, 10 A / 250 VAC, fast
36IBX15-50-0G	Littlefuse 218, 8 A / 250 VAC, fast, or: Schurter SPT 8A, 300 VDC

Programmable Undervoltage Lockout PUL

The programmable input undervoltage lockout (PUL, pin 17) should be adjusted adequately in order to limit the input

Table 5: Typical values for R_{PUL} and the resultant turn-on input voltage V_{iLO} . Valid for version V105 (Rev. AE) or later.

24IBX15-50-0G		36IBX15-50-0G	
R_{PUL} [$k\Omega$]	V_{iLO} [V]	R_{PUL} [$k\Omega$]	V_{iLO} [V]
∞	15	∞	23
110	18	100	27
68	20	56	30
43	23	36	34
27	27	27	38

current. Table 5 shows the values of the resistor R_{PUL} , connected between PUL and V_i- , versus the resultant minimum input voltage and the resultant maximum input current.

Note: If PUL is connected to V_i- , the converter is disabled (shutdown).

Efficiency

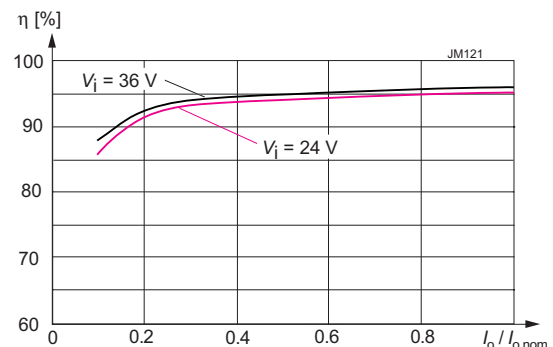


Fig. 3
Efficiency versus input voltage and output current (24IBX15-50-0G)

Interruption Time

The interruption time of a system comprised of a step-up converter IBX15 (Rev. AB or later) and connected converters

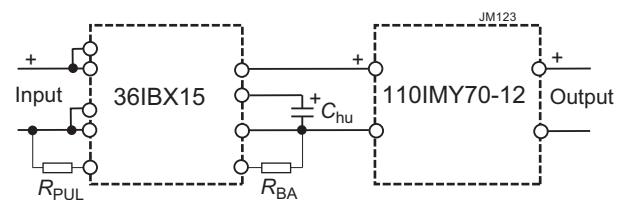


Fig. 4
System with increased interruption time

can easily be increased by an external capacitor C_{hu} and adjusting the boost voltage $V_{oB\ tr}$ to a higher level. As an example, fig. 4 shows a 36IBX15-50 supplying a DC-DC converter 110IMY70-12.

Formula for the external boost capacitor C_{hu} :

$$C_{hu} = \frac{2 \cdot P_o \cdot t_{hu}}{(V_{oB\ tr}^2 - V_{i\ min}^2)}$$

whereas:

- C_{hu} = external boost capacitance [mF]
- P_o = output power = input power of the supplied converter [W]
- t_{hu} = interruption or hold-up time [ms]
- $V_{i\ min}$ = min. input voltage of supplied converters [V]
- $V_{oB\ tr}$ = boost voltage trimmed using R_{BA} [V]

The external boost capacitor is loaded by a current source to the preselected boost voltage $V_{oB\ tr}$. This current source is activated after V_o has reached or exceeded $V_{oB\ tr}$. If the input voltage is increasing further, the boost capacitor is not charged beyond $V_{oB\ tr}$. Consequently, its rated voltage needs not to be much higher than $V_{oB\ tr}$.

In the case of input voltage loss, the output voltage V_{oB} drops rapidly to $V_{oB\ tr}$ until the diode D_{hu} connects the output with the

boost capacitor, sustaining the output voltage; see fig. 5. As long as $V_{i\ min}$ of the supplied converter is not reached (during t_{hu}), the output voltages of the supplied converters are not affected.

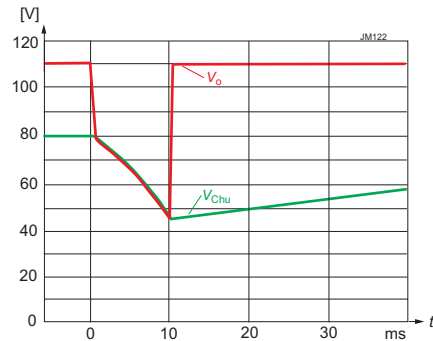


Fig. 5
 Increased interruption time. $V_i = 110\ V$, $C_{hu} = 560\ \mu F/100\ V$, $P_o = 90\ W$, $V_{oB\ tr} = 80\ V$, $R_{BA} = 0\ \Omega$. (24IBX15-50-0G)

Electrical Output Data

General Conditions:

– $T_A = 25\ ^\circ C$, unless T_C is specified. $V_i < V_{oB\ min}$, $I_o < I_{o\ nom}$

Table 3: Output data

Model			12IBX15-25-0G			24IBX15-50-0G			36IBX15-50-0G			Unit
Characteristics		Conditions	min	typ	max	min	typ	max	min	typ	max	
$V_{oB\ r}$	Boost voltage regulated	$V_{i\ min}$, $I_{o\ nom}$, $R_{BA} = \infty$	24.5	25	25.5	49	50	51	49	50	51	V
$V_{oB\ tr}$	Boost voltage trim range	depending on R_{BA}	24.5		50	49		80	49		80	
$I_{o\ nom}$	Output current, nom.	$V_{i\ min} - V_{i\ max}$, $V_{oB\ r}$		3.0			1.6			2.2		A
V_{ow}	Static line/load regulation	$V_{i\ min} - V_{oB\ r}$, $0 - I_{o\ nom}$		± 0.5	± 1		± 1	± 2		± 1	± 2	V
V_{od}	Dynamic line/load regul.			± 1.5			± 2			± 2		
t_d	Dynamic recovery time						2			2		ms
I_{BC}	Current to boost capacitor	$V_o \geq V_{oB\ r}$		15		3.9	4.3	4.8	3.9	4.3	4.8	mA
t_{hu}	Interruption time ¹	$C_{hu} = 1000\ \mu F$, $V_{oB\ tr} = 50\ V$, $V_i = V_{i\ min}$					--			--		ms
t_{loadC}	Load time for C_{hu} ¹						--			--		s
t_{hu}	Interruption time ¹	$C_{hu} = 560\ \mu F$, $V_{oB\ tr} = 80\ V$, $V_i = V_{i\ min}$				10	11		10	11		ms
t_{loadC}	Load time for C_{hu} ¹					12	15	18	12	15	18	s

¹ For other values use the formula in section *Interruption Time* !

Parallel or Series Operation

Not possible.

Thermal Considerations

If a converter, mounted on a PCB, is located in free, quasi-stationary air (convection cooling) at the indicated maximum ambient temperature $T_{A \max}$ (see table *Temperature specifications*) and is operated at its nominal operating conditions, the case temperature measured at the measuring point of case temperature T_C (see *Mechanical Data*) will approach the indicated value $T_{C \max}$ after the warm-up phase. However, the relationship between T_A and T_C depends heavily on the conditions of operation and integration into a system. The thermal conditions are influenced by input voltage, output current, airflow, temperature of surrounding components and surfaces, and the properties of the printed circuit board. $T_{A \max}$ is therefore only an indicative value.

Caution: The case temperature T_C measured at the measuring point of case temperature T_C (see *Mechanical Data*) shall under no circumstances exceed the specified maximum value. The installer must ensure that under all operating conditions T_C remains within the limits stated in the table *Temperature specifications*.

Overtemperature Protection

The converters are protected from possible overheating by an internal temperature monitoring circuit. It shuts down the converter above the internal temperature limit, and automatically restarts, after the temperature dropped.

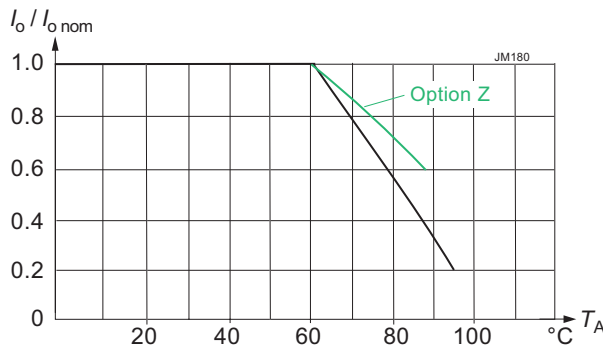


Fig. 6a
 24IBX15: I_o versus temperature
 $I_{o \text{ nom}} = 1.6 \text{ A}$, $V_i = 16.8 \text{ V}$, $V_{oB \text{ tr}} = 50 \text{ V}$

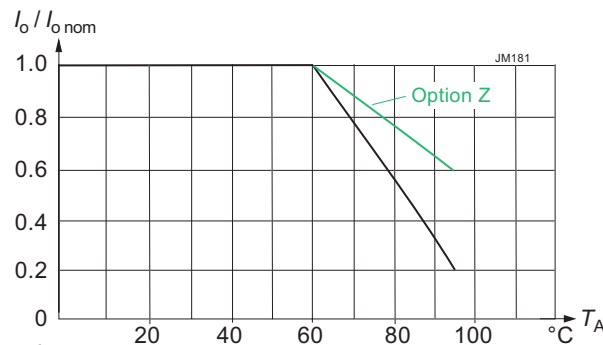


Fig. 6b
 36IBX15: I_o versus temperature
 $I_{o \text{ nom}} = 2.2 \text{ A}$, $V_i = 25.2 \text{ V}$, $V_{oB \text{ tr}} = 50 \text{ V}$

Auxiliary Functions

Boost Voltage Adjust

The regulated boost voltage $V_{oB \text{ tr}}$ can be adjusted by an external adjust resistor R_{BA} ; see fig. 1. The values of R_{BA} are specified in table 6.

Table 6: Typical values for R_{BA} and the resultant boost voltage $V_{oB \text{ tr}}$ and the possible output current I_o .

$R_{BA} \text{ [k}\Omega\text{]}$	24IBX15-50-0G		36IBX15-50-0G	
	$V_{oB \text{ tr}} \text{ [V]}$	$I_o \text{ [A]}$	$V_{oB \text{ tr}} \text{ [V]}$	$I_o \text{ [A]}$
∞	50	1.6	50	2.2
121	55	1.42	55	1.95
46.5	60	1.27	60	1.75
23	65	1.05	65	1.45
11.2	70	0.92	70	1.26
4.3	75	0.84	75	1.16
0	80	0.79	80	1.08

Of course, the real output voltage V_o follows V_i when V_i is higher than V_{Br} . However, the voltage on pin 11 will never exceed the adjusted value of $V_{oB \text{ tr}}$. The external capacitor C_{nu} must only be rated to $V_{oB \text{ tr}}$.

The max. output current will decrease with higher $V_{oB \text{ tr}}$, but the output power remains constant, because the supplied 110IMY converters need lower input current with higher input voltage.

Out-OK Signal

An open-collector signal controls the function of the boost converter. When $V_{oB \text{ r}}$ is exceeded, the D-output is connected with a FET to Go- (pin 15); see table 7.

Table 7: Out-OK data

Characteristics	Conditions	min	typ	max	Unit
V_{OK}	Out-OK voltage	Output okay, $I_{OK} < 50 \text{ mA}$	0.3	0.5	V
I_{OK}	Out-OK current	Output fail, $V_{OK} \leq 80 \text{ V}$	15	60	μA

Electromagnetic Compatibility (EMC)

A suppressor diode together with the input choke and an the output capacitor form an effective protection against high input

transient voltages which typically occur in many installations, but especially in battery-driven mobile applications. The auxiliary converter has a separate input filter.

Electromagnetic Immunity

Table 8: Immunity type tests

Phenomenon	Standard	Class Level	Coupling mode ¹	Value applied	Waveform	Source imped.	Test procedure	In oper.	Perf. crit. ²	
Electrostatic discharge to case	IEC/EN 61000-4-2 ³		contact discharge	$\pm 6000 V_p$	1/50 ns	330 Ω	10 positive and 10 negative discharges	yes	B	
		3	air discharge	$\pm 8000 V_p$						
Electromagnetic field	IEC/EN 61000-4-3	x ⁴	antenna	20 V/m	80% AM, 1 kHz	n.a.	80 – 1000 MHz	yes	A	
		5	antenna	20 V/m						800 – 1000 MHz
				10 V/m						
5 V/m	2100 – 2500 MHz									
Electrical fast transients/burst	IEC/EN 61000-4-4:2004	3 ⁶	direct coupl. (fig. 9)	$\pm 2000 V_p$ ⁶	bursts of 5/50 ns 5 kHz over 15 ms burst period: 300 ms	50 Ω	60 s positive 60 s negative transients per coupling mode	yes	A	
		4	+i/c, -i/c, +i/-i	$\pm 4000 V_p$						
		3	capacit. (fig. 10), o/c	$\pm 2000 V_p$						
Surges	IEC/EN 61000-4-5	3 ⁷	+i/c, -i/c	$\pm 2000 V_p$ ³	1.2/50 μs	42 Ω 0.5 μF	5 pos. and 5 neg. surges per coupling mode	yes	A	
		2 ⁷	+i/-i	$\pm 1000 V_p$ ³						
Conducted disturbances	IEC/EN 61000-4-6	3 ⁸	i, o, signal wires	10 VAC (140 dB μV)	AM 80% 1 kHz	150 Ω	0.15 – 80 MHz	yes	A	

¹ i = input, o = output, c = case (not for option Z)

² A = normal operation, no deviation from specification, B = temporary deviation from specs. possible.

³ Corresponds to EN 50121-3-2:2006, table 9.3

⁴ Corresponds to EN 50121-3-2:2006 table 9.1 and exceeds EN 50121-4:2006 table 1.1.

⁵ Corresponds to EN 50121-3-2:2006 table 9.2 and EN 50121-4:2006 table 1.2 (compliance with digital mobile phones).

⁶ Corresponds to EN 50121-3-2:2006 table 7.2 and EN 50121-4:2006 table 2.2.

⁷ Measured with an external input capacitor: 600 μF due to the standard network impedance for surge testing

⁸ Corresponds to EN 50121-3-2:2006 table 7.1 and EN 50121-4:2006 table 2.2.

Electromagnetic Emissions

The EMC requirements must be observed at the end product system level. However, the company tests the converters to EMC standards. The integrated input filter reduces the reflected input current and improves EMC features. Further improvements are possible by adding simple external filters; see fig. below.

The large input capacitor C1 (100 μF /200 V) provides stability during surge tests. The other components are:

C2 = 4.7 nF, Y2; C51 = C52 = 10 nF, Y2

C3 = 3 μF , X7R; C4 = 5 μF , X7R

L1 = 4.4 mH

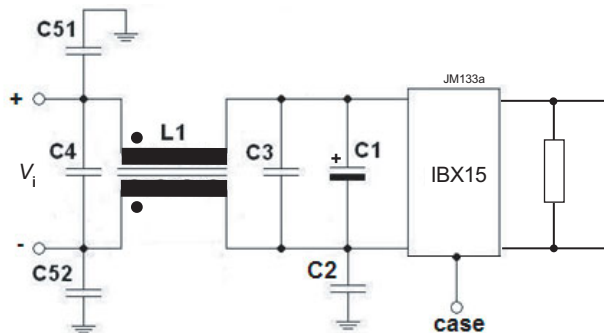


Fig. 7
Input filter for disturbance tests

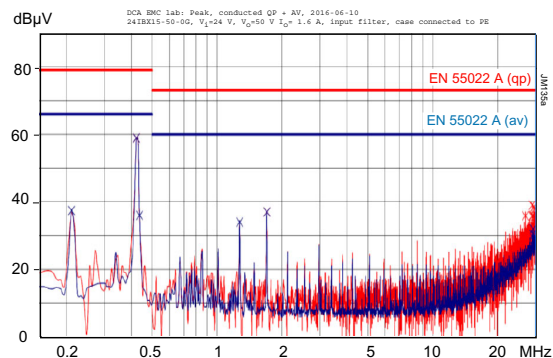


Fig. 8
Conducted emissions of 24IBX15-50-0G. $V_i = 24 V$, $V_o = 50 V$, 2 A; case connected to PE; with input filter fig. 7

Immunity to Environmental Conditions

Table 9: Mechanical and climatic stress

Test method		Standard	Test conditions		Status
Cab	Damp heat steady state	IEC/EN 60068-2-78 MIL-STD-810D section 507.2	Temperature: Relative humidity: Duration:	40 ±2 °C 93 +2/-3 % 56 days	Converter not operating
Ad	Cooling test steady state	EN 50155:2007, clause 12.2.3 IEC/EN 60068-2-1	Temperature, duration Performance test	-40 °C, 2 h +25 °C	Conv. not operating
Bd	Dry heat test steady state	EN 50155:2007, clause 12.2.4 IEC/EN 60068-2-2	Temperature: Duration:	70 °C 6 h	Converter operating
Ka	Salt mist test sodium chloride (NaCl) solution	EN 50155:2007, clause 12.2.10 IEC/EN 60068-2-11 class ST2	Temperature: Duration:	35 ±2 °C 16 h	Converter not operating
Fc	Vibration (sinusoidal)	IEC/EN 60068-2-6 MIL-STD-810D section 514.3	Acceleration amplitude: Frequency (1 Oct/min): Test duration:	0.35 mm (10 – 60 Hz) 5 g _n = 49 m/s ² (60 - 2000 Hz) 10 – 2000 Hz 7.5 h (2.5 h in each axis)	Converter operating
Fh	Random vibration broad band (digital control) and guidance	IEC/EN 60068-2-64	Acceleration spectral density: Frequency band: Acceleration magnitude: Test duration:	0.05 g _n ² /Hz 8 – 500 Hz 4.9 g _{n,rms} 1.5 h (0.5 h in each axis)	Converter operating
Eb	Bump (half-sinusoidal)	IEC/EN 60068-2-29 MIL-STD-810D section 516.3	Acceleration amplitude: Bump duration: Number of bumps:	25 g _n = 245 m/s ² 6 ms 6000 (1000 in each direction)	Converter operating
Ea	Shock (half-sinusoidal)	IEC/EN 60068-2-27 MIL-STD-810D section 516.3	Acceleration amplitude: Bump duration: Number of bumps:	50 g _n = 490 m/s ² 11 ms 18 (3 in each direction)	Converter operating
--	Shock	EN 50155:2007 clause 12.2.11, EN 61373 sect. 10, class B, body mounted ¹	Acceleration amplitude: Bump duration: Number of bumps:	5.1 g _n 30 ms 18 (3 in each direction)	Converter operating
--	Simulated long life testing at increased random vibration levels	EN 50155:2007 clause 12.2.11, EN 61373 sect. 8 and 9, class B, body mounted ¹	Acceleration spectral density: Frequency band: Acceleration magnitude: Test duration:	0.02 g _n ² /Hz 5 – 150 Hz 0.8 g _{n,rms} 15 h (5 h in each axis)	Converter operating

¹ Body mounted = chassis of a railway coach

Temperatures

Table 10: Temperature specifications, valid for an air pressure of 800 - 1200 hPa (800 - 1200 mbar)

Temperature		Conditions	-0G (with case)			-0ZG (open frame)			Unit
Characteristics	min		typ	max	min	typ	max		
T _A	Ambient temperature	Converter operating	-40		70	-40		70	°C
T _C , T _{CZ}	Case temperature		-40		100	-40		120	
T _S	Storage temperature	Non operational	-55		85	-55		85	

Reliability

Table 11: MTBF and device hours

Ratings	Model	Ground benign 40 °C	Ground fixed		Ground mobile 50 °C	Device hours 40 °C	Unit
			40 °C	70 °C			
MTBF accord. to Bellcore SR-332, issue 1	36IBX15-50	850 000	425 000	160 000	104 000		h



Mechanical Data

Dimensions are in mm (inches).
Tolerances ± 0.3 mm (unless noted)
Recommended PCB hole diameter for the 1mm square pins: 1.4 mm

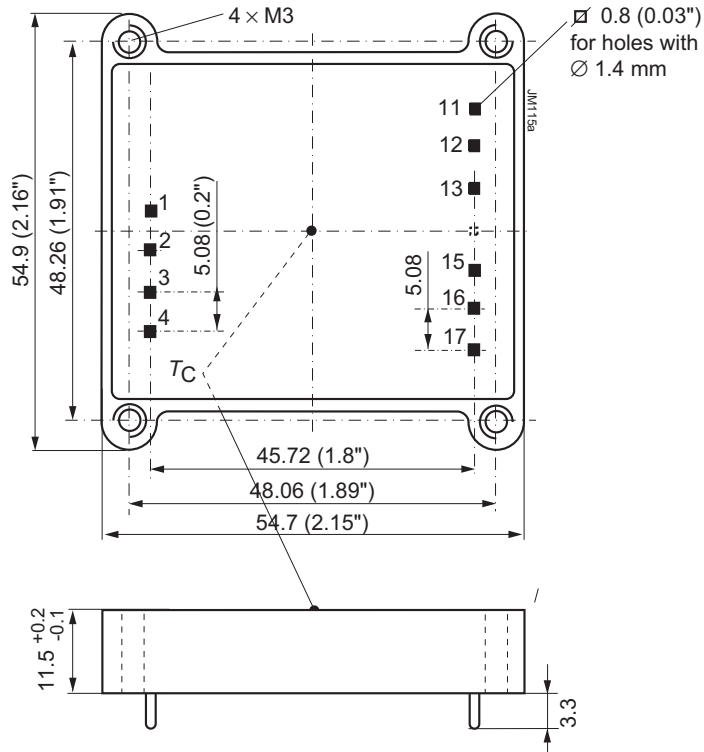


Fig. 9
Case Zinc,
weight approx. 80 g

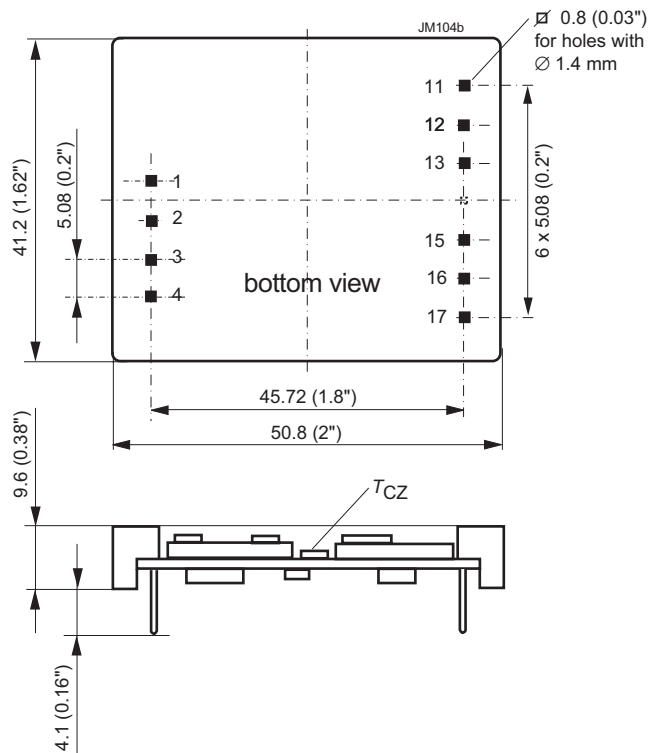


Fig. 10
Open frame (option Z),
weight approx. 30 g

Safety and Installation Instructions

Pin allocation

Table 12: Pin allocation (standard and option Z)

Pin	Name	Description
1	Vi+	Pos. input
2	Vi+	Pos. input
3	Gi-	Neg. input
4	Gi-	Neg. input
11	Chu	External hold-up capacitor
12	Vo+	Pos. output voltage
13	Go-	Neg. output (connected to pins 3 and 4)
14	--	No pin
15	D	Boost function okay
16	BA	Boost voltage adjust
17	PUL	Programmable undervoltage lockout / inhibit

Installation Instructions

Connection to the system shall be made via a printed circuit board with hole diameters of 1.4 mm ±0.1 mm for the pins.

The converter must be connected to a secondary circuit.

Do not open the converter!

Ensure that a converter failure (e.g. by an internal short-circuit) does not result in hazardous conditions.

Note: To prevent excessive current flowing through the input supply lines in case of a malfunction an external fuse should be installed in a non-earthed input supply line; see *table 4*.

Standards, Approvals, Isolation

The converters have been approved according to UL/CSA 60950-1 and IEC/EN 60950-1 2nd Ed. The CE mark is fitted.

All pins are tested against the case with 1500 VAC (2120 VDC) for ≥ 1 s as routine test in the factory according to EN 50514 and IEC/EN 60950.

The converters are subject to manufacturing surveillance in accordance with the above mentioned standards and with ISO9001:2008.

CB scheme is available.

Railway Applications

To comply with railway standards, all components are coated with a protective lacquer (except option Z).

Protection Degree and Cleaning Liquids

The protection degree of the converters is IP 40, except open-frame models (option Z).

In order to avoid possible damage, any penetration of cleaning fluids should be prevented, since the converters are not hermetically sealed.

However, open-frame models (option Z) leave the factory unlacquered; they may be lacquered by the customer, for instance together with the mother board. Cleaning liquids are not permitted – except washing at room temperature with isopropyl alcohol and de-ionized/destilled water (1 : 1).

The mother board can also be cleaned, before fitting the open-frame converter.

Note: Other cleaning liquids may damage the adhesive joints of the ferrite cores.

Options

Option Z: Open-frame model without case.

NUCLEAR AND MEDICAL APPLICATIONS - These products are not designed or intended for use as critical components in life support systems, equipment used in hazardous environments, or nuclear control systems.

TECHNICAL REVISIONS - The appearance of products, including safety agency certifications pictured on labels, may change depending on the date manufactured. Specifications are subject to change without notice.

Copyright © 2016, Bel Power Solutions Inc. All rights reserved.

www.belpowersolutions.com

X-ON Electronics

Largest Supplier of Electrical and Electronic Components

Click to view similar products for [Isolated DC/DC Converters](#) category:

Click to view products by [Bel Fuse](#) manufacturer:

Other Similar products are found below :

[ESM6D044440C05AAQ](#) [FMD15.24G](#) [PSL486-7LR](#) [PSR152.5-7IR](#) [Q48T30020-NBB0](#) [AVO240-48S12B-6L](#) [AVO250-48S28B-6L](#) [NAN-0505](#) [HW-L16D](#) [JAHW100Y1](#) [217-1617-001](#) [22827](#) [SPB05C-12](#) [SQ24S15033-PS0S](#) [18952](#) [19-130041](#) [CE-1003](#) [CE-1004](#) [GQ2541-7R](#) [PSE1000DCDC-12V](#) [RDS180245](#) [MAU228](#) [419-2065-201](#) [449-2075-101](#) [V300C24C150BG](#) [419-2062-200](#) [419-2063-401](#) [419-2067-101](#) [419-2067-501](#) [419-2068-001](#) [DFC15U48D15](#) [449-2067-000](#) [XGS-0512](#) [XGS-1205](#) [XGS-1212](#) [XGS-2412](#) [XGS-2415](#) [XKS-1215](#) [033456](#) [NCT1000N040R050B](#) [SPB05B-15](#) [SPB05C-15](#) [VI-26B-CU](#) [V24C12C100BG](#) [L-DA20](#) [HP3040-9RG](#) [HP1001-9RTG](#) [DCG40-5G](#) [XKS-2415](#) [XKS-2412](#)