

100mA-400mA EOL – Last Buy Date is Jun 30, 2020
 No replacements for these ratings

Type 2JQ / 3JQ Quick-Acting Fuse Series

HF  2JQ/3JQ Series, 5x15mm Glass Tube Quick-Acting Fuse

RoHS 2 Compliant

Description

5x15mm Quick-Acting, glass tube body cartridge fuse designed, approved and complied with UL and CSA standard 248-14.

Features

- Meet UL and CSA standard 248-14
- Wide operating temperature range
- Bulk and Tape & Reel packing available
- RoHS 2 compliant
- Halogen Free
- Lead Free

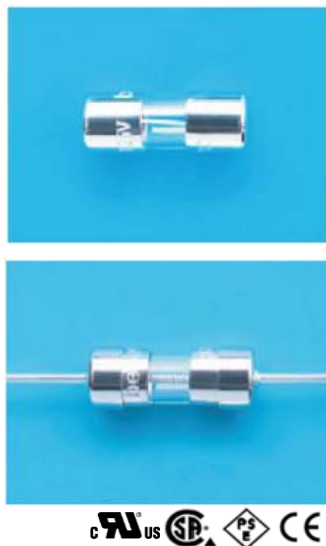
Applications

Provide individual protection for components or internal circuits.



- Power supplies
- Battery charger
- Monitor
- Adapter

LEAD FREE = 

HALOGEN FREE = 






Physical Specifications

| | |
|-----------|---|
| Materials | Body : Glass |
| | Cap : Nickel Plated Brass Caps |
| | Leads : Matte Tin Plated Copper |
| Marking | On Fuse : |
| | "bel", "JQ", "Current Rating", "Voltage Rating", "Appropriate Safety Logos", "✓" (RoHS 2 compliant) |
| | On Label : |
| | "bel", "2JQ" or "3JQ", "Current Rating", "Voltage Rating", "Interrupting Rating", "Appropriate Safety Logos" and "  ", "  "(China RoHS compliant). |

Electrical Characteristics (UL/CSA STD.248-14)

| Testing Current | Blow Time | |
|-----------------|-----------|---------|
| | Minimum | Maximum |
| 100% | 4 hrs. | N/A |
| 135% | N/A | 1 hr. |
| 200% | N/A | 1 sec |

Safety Agency Approvals

| Safety Agency | Safety Agency Certificate | Voltage Rating (V) | Ampere Range / Volt @ I.R. ability* |
|---|--|-------------------------|---|
|  | E20624 | 100mA-7A /350V AC | 100mA-7A / 350V AC @100A 140V DC @150A |
|  | LR39772 | | 100mA-7A / 350V AC @100A |
|  | JET1037-31003-1010 JET1037-31003-1011 | | 1A-5A / 125V AC @500A |
| | JET1037-31003-1007 | >5A-15A / 125V AC @300A | |
| *I.R.= Interrupting Rating = Short Circuit Rating(Amps) | | | |

Type 2JQ / 3JQ

Environmental Specifications

| | |
|---------------------------|--|
| Shock Resistance | MIL-STD-202G, Method 213B, Test Condition 1 (100 G's peak for 6 milliseconds; Sawtooth waveform) |
| Vibration Resistance | MIL-STD-202G, Method 201A (10-55 Hz, 0.06 inch, total excursion). |
| Salt Spray Resistance | MIL-STD-202G, Method 101E, Test Condition B (48 hrs). |
| Insulation Resistance | MIL-STD-202G, Method 302, Test Condition A (After Opening) 10,000 ohms minimum. |
| Solderability | MIL-STD-202G, Method 208H |
| Resistance to solder Heat | MIL-STD-202G, Method 210F, Test Condition B (260+/-5°C, 10+/-1 sec) |
| Thermal Shock | MIL-STD-202G, Method 107G, Test Condition B (-65°C to +125°C). |
| Operating Temperature | -55°C to +125°C |
| Terminal Strength | IEC-68-2-21 |

Electrical Specifications

| Catalog Number | Ampere Rating | Typical Cold Resistance (ohms) | Volt-drop @ 100%In (Volt) max. | Voltage and Interrupting Ratings | Melting I ² T <10 m Sec (A ² Sec) | Melting I ² T @ 10 In (A ² Sec) | Maximum Power Dissipation (W) | Agency Approvals | | |
|----------------|---------------|--------------------------------|--------------------------------|---|---|---|-------------------------------|------------------|----|----|
| | | | | | | | | UL US | SE | PS |
| JQ 100-R | 100mA | 4.80 | 2.10 | See Table of Safety Approvals on Page 1 for Voltage and associated Interrupting Ratings | 0.0010 | 0.0010 | 0.029 | Y | Y | |
| JQ 125-R | 125mA | 4.29 | 2.05 | | 0.0019 | 0.0020 | 0.035 | Y | Y | |
| JQ 150-R | 150mA | 3.35 | 1.90 | | 0.004 | 0.004 | 0.041 | Y | Y | |
| JQ 200-R | 200mA | 2.01 | 1.70 | | 0.007 | 0.008 | 0.048 | Y | Y | |
| JQ 250-R | 250mA | 1.54 | 1.62 | | 0.014 | 0.015 | 0.057 | Y | Y | |
| JQ 300-R | 300mA | 1.18 | 1.55 | | 0.026 | 0.029 | 0.067 | Y | Y | |
| JQ 350-R | 350mA | 0.98 | 1.50 | | 0.036 | 0.040 | 0.072 | Y | Y | |
| JQ 400-R | 400mA | 0.46 | 0.60 | | 0.05 | 0.06 | 0.079 | Y | Y | |
| JQ 500-R | 500mA | 0.33 | 0.55 | See Table of Safety Approvals on Page 1 for Voltage and associated Interrupting Ratings | 0.10 | 0.11 | 0.092 | Y | Y | |
| JQ 600-R | 600mA | 0.26 | 0.48 | | 0.14 | 0.16 | 0.10 | Y | Y | |
| JQ 750-R | 750mA | 0.188 | 0.45 | | 0.26 | 0.30 | 0.12 | Y | Y | |
| JQ 800-R | 800mA | 0.170 | 0.40 | | 0.27 | 0.40 | 0.17 | Y | Y | |
| JQ 1-R | 1A | 0.112 | 0.40 | | 0.62 | 0.65 | 0.21 | Y | Y | Y |
| JQ 1.25-R | 1.25A | 0.068 | 0.17 | | 0.80 | 0.82 | 0.26 | Y | Y | Y |
| JQ 1.5-R | 1.5A | 0.056 | 0.16 | | 1.4 | 1.4 | 0.32 | Y | Y | Y |
| JQ 1.6-R | 1.6A | 0.054 | 0.16 | | 1.8 | 1.9 | 0.35 | Y | Y | Y |
| JQ 2-R | 2A | 0.041 | 0.16 | | 2.3 | 2.5 | 0.39 | Y | Y | Y |
| JQ 2.5-R | 2.5A | 0.033 | 0.15 | | 4.0 | 4.3 | 0.48 | Y | Y | Y |
| JQ 3-R | 3A | 0.027 | 0.15 | | 4.6 | 5.6 | 0.59 | Y | Y | Y |
| JQ 3.5-R | 3.5A | 0.022 | 0.14 | | 9 | 10 | 0.66 | Y | Y | Y |
| JQ 4-R | 4A | 0.019 | 0.14 | | 12 | 13 | 0.73 | Y | Y | Y |
| JQ 5-R | 5A | 0.015 | 0.13 | | 20 | 23 | 0.9 | Y | Y | Y |
| JQ 6-R | 6A | 0.012 | 0.13 | | 35 | 40 | 1.1 | Y | Y | Y |
| JQ 7-R | 7A | 0.010 | 0.12 | | 46 | 53 | 1.2 | Y | Y | Y |

Consult manufacturer for other ratings

EOL
Last Buy Date is
Jun 30, 2020



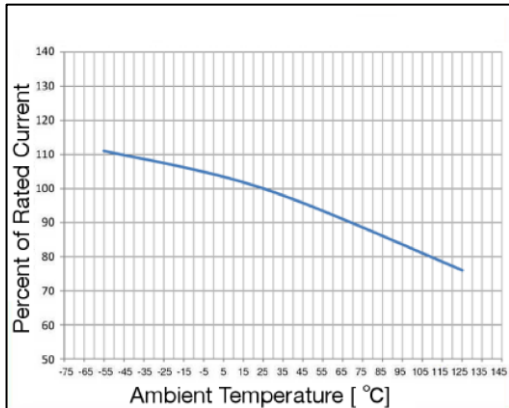
Specifications subject to change without notice

Bel Fuse Inc.
206 Van Vorst Street
Jersey City, NJ 07302 USA

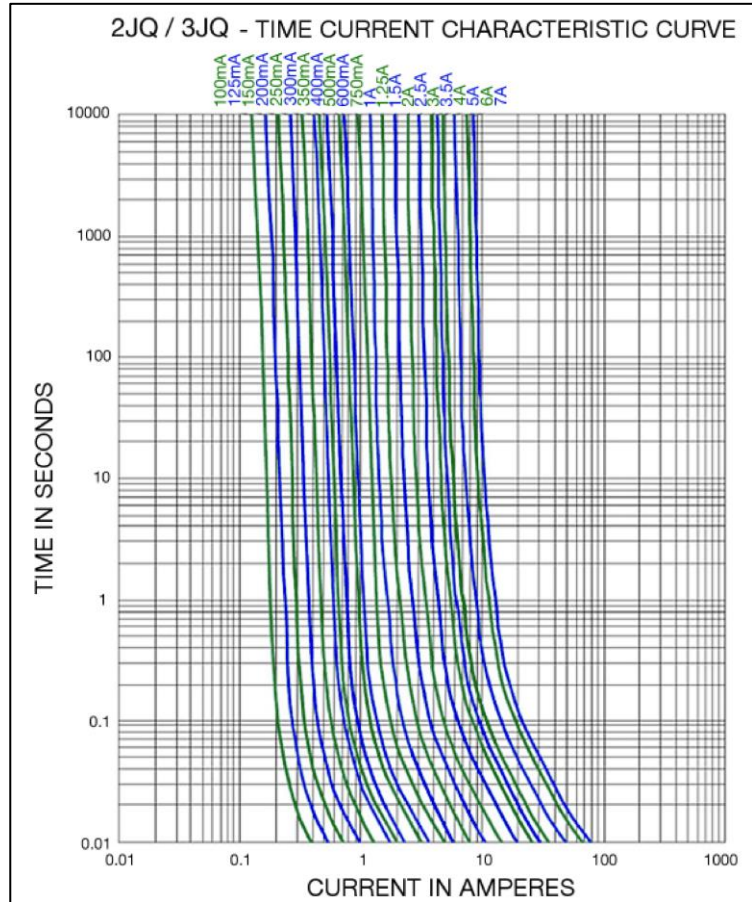
+1 201.432.0463
Bel.US.CS@belf.com
belfuse.com/circuit-protection

Type 2JQ / 3JQ

Temperature Derating Curve

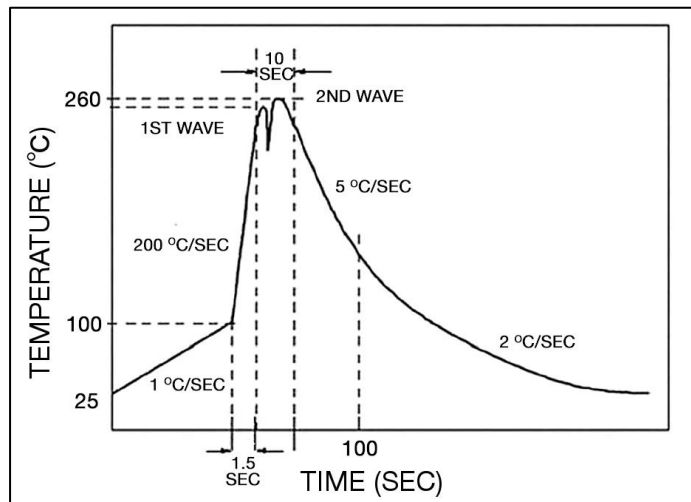


Average Time Current Curve



Soldering Parameters

| Lead-free Wave Soldering Profile | |
|--|--|
| Wave Soldering Parameter | |
| Average ramp-up rate | 200°C / second |
| Heating rate during preheat | typical 1 - 2°C / second Max 4°C / second |
| Final preheat temperature | within 125°C of soldering temperature |
| Peak temperature T _p | 260°C |
| Time within +0°C / -5°C of actual peak temperature | 10 seconds |
| Ramp-down rate | 5°C / second max. |



Type 2JQ / 3JQ

Fuse FGNO Explanation

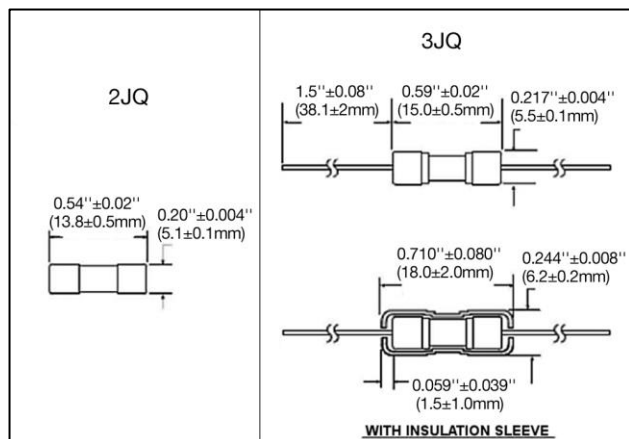
0657 R [XXXX] -XX

0657R=2JQ/3JQ; [XXXX]=Ampere Rating; XX=See Ordering Information as below

| Fraction | Decimal | Milliamps | Bel FGNO[XXXX] |
|----------|---------|-----------|----------------|
| 1/10 | 0.100 | 100 | 0100 |
| 1/8 | .125 | 125 | 0125 |
| 15/100 | .150 | 150 | 0150 |
| 2/10 | .200 | 200 | 0200 |
| 1/4 | .250 | 250 | 0250 |
| 3/10 | .300 | 300 | 0300 |
| 35/100 | .350 | 350 | 0350 |
| 4/10 | .400 | 400 | 0400 |
| 1/2 | .500 | 500 | 0500 |
| 6/10 | .600 | 600 | 0600 |
| 3/4 | .750 | 750 | 0750 |
| 8/10 | .800 | 800 | 0800 |

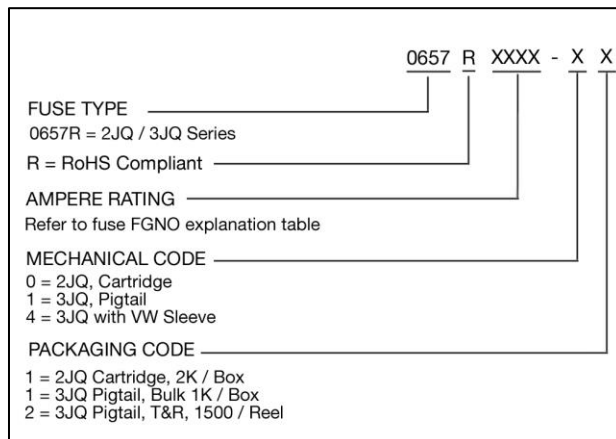
| Fraction | Decimal | Amps | Bel FGNO[XXXX] |
|----------|---------|------|----------------|
| | 1.0 | 1 | 1000 |
| 1-1/4 | 1.25 | 1.25 | 1250 |
| 1-1/2 | 1.50 | 1.5 | 1500 |
| | 1.60 | 1.6 | 1600 |
| | 2.0 | 2 | 2000 |
| 2-1/2 | 2.5 | 2.5 | 2500 |
| | 3.0 | 3 | 3000 |
| 3-1/2 | 3.5 | 3.5 | 3500 |
| | 4.0 | 4 | 4000 |
| | 5.0 | 5 | 5000 |
| | 6.0 | 6 | 6000 |
| | 7.0 | 7 | 7000 |

Mechanical Dimensions



*Diameter lead 0.032" ± 0.002" for all ratings

Ordering Information



Packaging

| Packaging Option | Packaging Specification | Quantity | Packaging Code | Inside Tape Spacing |
|--|-------------------------|----------|----------------|---------------------|
| Bulk (bag) | N/A | 2000 | 01 | N/A |
| Bulk (Pigtail Type) | N/A | 1000 | 11 | N/A |
| Bulk (Pigtail Type) with Insulation Sleeve | N/A | 1000 | 41 | N/A |
| Tape & Reel | EIA-296-F | 1500 | 12 | 10mm Pitch and 53mm |
| Tape & Reel with Insulation Sleeve | EIA-296-F | 1500 | 42 | 10mm Pitch and 53mm |



Specifications subject to change without notice

Bel Fuse Inc.
 206 Van Vorst Street
 Jersey City, NJ 07302 USA

+1 201.432.0463
 Bel.US.CS@belf.com
belfuse.com/circuit-protection

X-ON Electronics

Largest Supplier of Electrical and Electronic Components

Click to view similar products for [Cartridge Fuses](#) category:

Click to view products by [Bel Fuse](#) manufacturer:

Other Similar products are found below :

[MBO-20](#) [MDA-V-1/100](#) [12C10X38GI](#) [AGA-V-2-1/2](#) [AGC-V-3-12-R](#) [AGY-50](#) [MSL-3](#) [MSL-4](#) [MSL-5](#) [BK1/C436-2A](#) [BK1-GMA-1-6-R](#)
[BK1-GMA-200-R](#) [BK1GMA-6-R](#) [BK1/GMC-100-R](#) [BK1/GMC-1.5-R](#) [BK1-GMC-2-5-R](#) [BK1GMD-4-R](#) [BK1S500-250-R](#) [BK1S500-32-R](#)
[BK1-S500-4-R](#) [BK1S500-5-R](#) [BK1-S505-1-R](#) [BK1-S506-2-R](#) [BK1-S506-3-15-R](#) [BK1/S506-63-R](#) [BK/ABC-5RX](#) [BK/AGW-B-4](#) [BK/AVX-](#)
[1/4](#) [BK/C515S-250-R](#) [BK/MBO-20](#) [BK/MBO-8](#) [BK/MDM-3/4](#) [BK-MDQ-4](#) [BK/S505-V-2.5A](#) [BK/TDC120-15](#) [BK/TDC120-20](#)
[BK/TDC122-45](#) [BP/MDL-7](#) [1C10X38AM](#) [S505-V-500MA](#) [SEF-1697-1-002](#) [AGA-V-7-1/2](#) [AGC-15WX](#) [AGC-2-1-2-R](#) [20.0M6.3X32F](#)
[20C8X32GI](#) [GMC-50-R](#) [361.250](#) [MBO-8](#) [TDC121-30](#)