

5

4

3

2

1

DRAWING NO. <b>40-9588M-CUST</b>				
REVISIONS				
01	OFFICIAL RELEASE			
	08-10-09	J	T	T

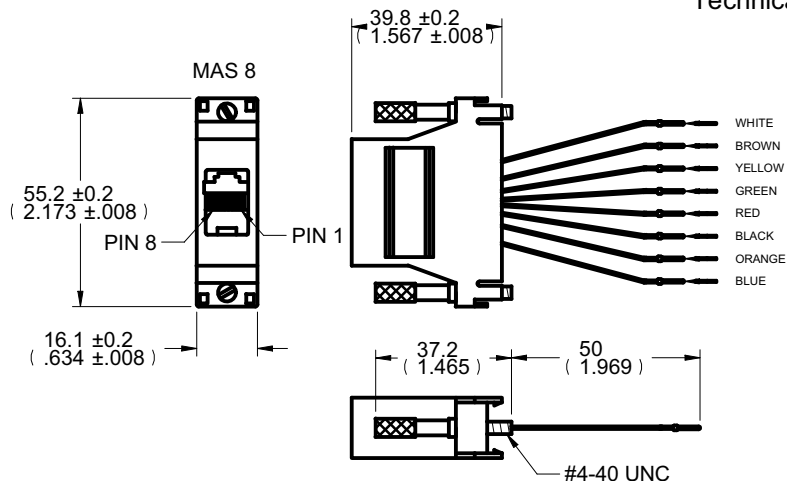


Description: Mod adptr kit, DB25M-RJ45, grey  
 Part No: 40-9588M  
 Application: Adapter  
 Crimp Tool: N/A  
 Impedance: N/A  
 Frequency Range: N/A  
 Material: Connector DC DB25 male  
 Terminal D-sub type, male  
 Screw #4-40 UNC  
 Jack 8P8C  
 Hood 8P8C and DC25 GC plastic  
 Wire UL1061 26AWG

2009.09.0  
 Betty 8.09.26.12  
 +08006

受控 CONTROLLED DOCUMENT				
编号 P/N	40-9588M-CUST	版本 Rev	01	日期 Rel'd Date
				SEP 14,09

RoHS Compliance: Yes  
 Technical Detail: N/A



**DIM OUTLINE**

**CUSTOMER COPY**

TOLERANCE UNLESS OTHERWISE SPECIFIED		DRAWN BY <b>JEAN.JIN</b>	DATE 08-10-09
DECIMALS	mm	CHECKED BY <b>TERRY.W</b>	DATE 08-10-09
X	± 3	APPROVED BY <b>THOMAS</b>	DATE 08-10-09
X.X	± 0.3	U/M	mm
X.XX	± 0.1		
ANGLES	± 0.5°		

 CONNECTIVITY SOLUTIONS a bel group		
TITLE MOD ADPTR KIT ,DB25M-RJ45,GREY		
SHEET 1 OF 1	DRAWING NO. <b>40-9588M-CUST</b>	SIZE A

THIS DRAWING WAS PRODUCED BY COMPUTER, DO NOT SCALE DRAWING OR UPDATE MANUALLY.

5

4

3

2

1

## X-ON Electronics

Largest Supplier of Electrical and Electronic Components

*Click to view similar products for D-Sub Adapters & Gender Changers category:*

*Click to view products by Bel Fuse manufacturer:*

Other Similar products are found below :

[243A10120X](#) [243A11070X](#) [243A13290X](#) [243A13460X](#) [300X10729X](#) [300X10759X](#) [GCHDLP26F26F](#) [30-9532P](#) [40-9586FP](#) [500-135](#) [40-9526HDMP](#) [56F715-003](#) [243A11800X](#) [243A10560X](#) [40-9526HDSP](#) [243A11060X](#) [56-745-005](#) [243A10580X](#) [56-725-001](#) [SC485](#) [173114-0088](#) [173114-0099](#) [76000670](#) [76000700](#) [NADB9MF](#) [2902323](#) [2902326](#) [40-9538F](#) [163A50049X](#) [NADB15FF-B](#) [NADB9FF-B](#) [243A10030X](#) [76000671](#) [163A50029X](#) [16-501373](#) [FCC17-A15AD-280](#) [FCC17-E09AD-210](#) [FCE17-A15AD-250](#) [FCE17-B25AD-210](#) [FCE17-B25AD-250](#) [FCE17B25AD290](#) [FCE17-E09AD-210](#) [FCE5709500430](#) [2310387](#) [GCHDLP44M44M](#) [GCLP25M25F](#) [FCC17A15AD2E0](#) [FCC17C37AD280](#) [FCC17-E09AD-280](#) [FCC17E09AD293](#)