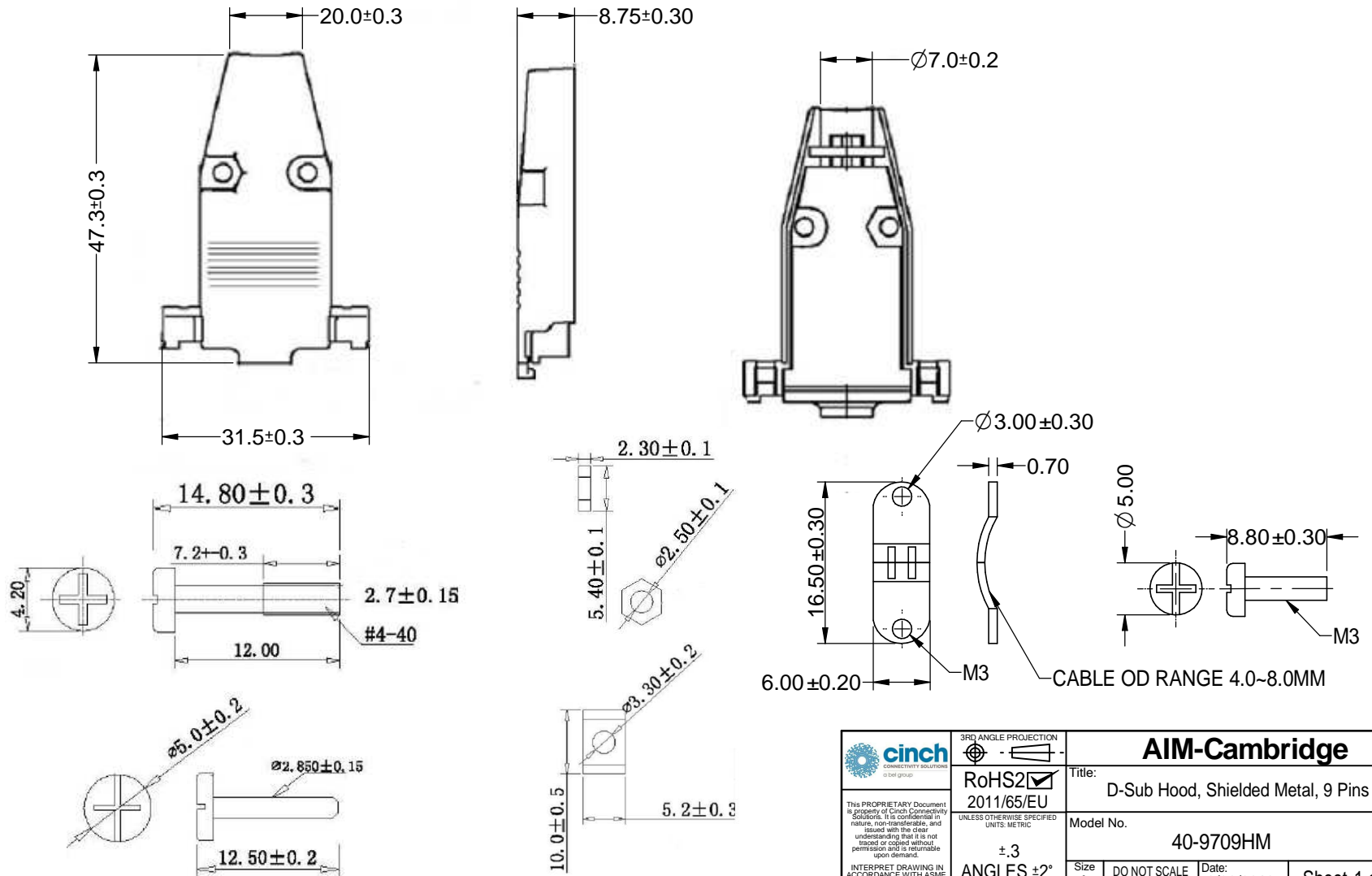




DESCRIPTION: D-SUB HOOD, SHIELDED METAL, 9 PINS
 PART NUMBER: 40-9709HM
 APPLICATION: D-SUB HOOD
 CRIMP TOOL: N/A
 IMPEDANCE: N/A
 FREQUENCY RANGE: N/A
 MATERIAL: ZINC ALLOY
 RoHS COMPLIANCE: YES
 TECHNICAL DETAIL: N/A
 ATTACHMENT: SCREW, NUT & SHIM



		AIM-Cambridge	
	RoHS2 2011/65/EU	Title: D-Sub Hood, Shielded Metal, 9 Pins	
<small> This PROPRIETARY Document is property of Cinch Connectivity Solutions. It is confidential in nature, non-transferable, and issued with the clear understanding that it is not to be copied without permission and is returnable upon demand. </small>	<small>UNLESS OTHERWISE SPECIFIED</small> UNITS: METRIC	Model No. 40-9709HM	
INTERPRET DRAWING IN ACCORDANCE WITH ASME Y14.5-2009.	±.3 ANGLES ±2°	Size A	DO NOT SCALE DRAWING
		Date: 6/20/2016	Sheet 1 of 1

X-ON Electronics

Largest Supplier of Electrical and Electronic Components

Click to view similar products for [D-Sub Backshells](#) category:

Click to view products by [Bel Fuse](#) manufacturer:

Other Similar products are found below :

[M85049/6-38N](#) [M85049/86-12N03](#) [M85049/90-13P03](#) [70.350.0636.4](#) [70.350.2435.1](#) [72.350.1035.2](#) [72.352.2435.1](#) [73.359.4035.3](#) [829472-1](#)
[PCS-E20W](#) [970-015-040R011](#) [970-025-040R011](#) [971-009-030R121](#) [971-009-040R011](#) [971-015-040R011](#) [1437013-9](#) [1484402-8](#) [156-3025-](#)
[EX](#) [16-500800](#) [165X02659X](#) [165X03329A](#) [165X03399A](#) [165X10259X](#) [165X11759X](#) [165X11889X](#) [165X13019X](#) [165X13029X](#)
[165X13169X](#) [165X13199X](#) [165X13239X](#) [165X13389X](#) [165X13489X](#) [165X14219X](#) [165X14449X](#) [165X17409X](#) [165X17439X](#)
[165X17569X](#) [165X17599X](#) [165X17609X](#) [165X17889X](#) [165X17979X](#) [L171373](#) [971-025-030R121](#) [300X10989X](#) [165X02609X](#)
[165X02639X](#) [165X02689X](#) [165X04219A](#) [165X10469X](#) [165X11279X](#)