

5

4

3

2

1

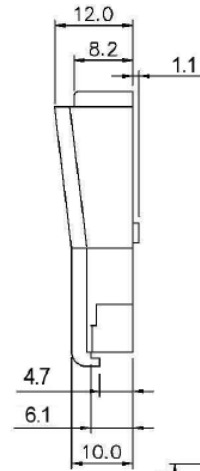
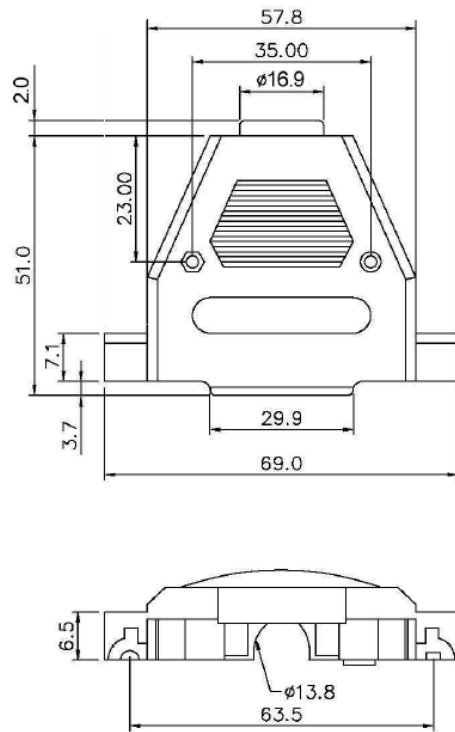
Description: D-Sub Hood, Plastic, H Series, 37 Pins  
 Part No: 40-9737H

DRAWING NO.  
40-9737H-CUST

REVISIONS

01 OFFICIAL RELEASE

12-19-12 G Z M W M L ECO-12-0335



Screw Nut & Clip And Other: Steel  
 Nickel Plated  
 Packing: 1 Set/Bag  
 RoHS Compliant

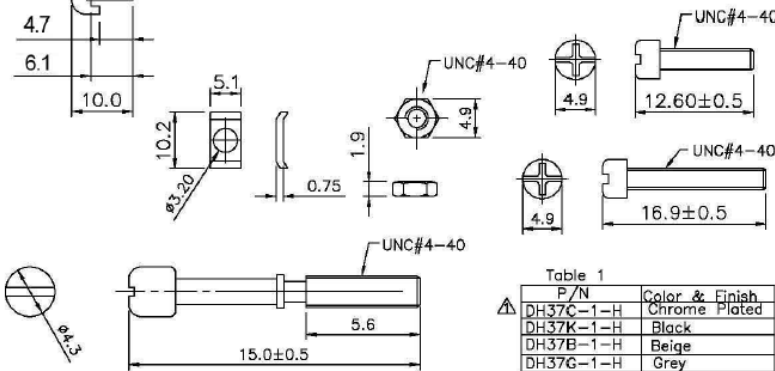
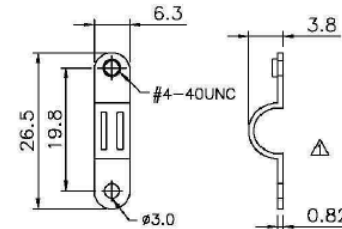


Table 1	
P/N	Color & Finish
DH37C-1-H	Chrome Plated
DH37K-1-H	Black
DH37B-1-H	Beige
DH37G-1-H	Grey

**DIM OUTLINE**

TOLERANCE UNLESS OTHERWISE SPECIFIED		DRAWN BY	DATE
DECIMALS	mm	GARY.ZHG	12-19-12
X.X	+ 0.2	CHECKED BY	DATE
X.XX	+ 0.1	MONICA.W	12-19-12
X.XXX	+0.08	APPROVED BY	DATE
ANGLES	+ 0.5°	MA LIN	12-19-12
		U/M	mm

 <b>cinch</b> CONNECTIVITY SOLUTIONS a bel group		
SHEET 1 OF 1	DRAWING NO. 40-9737H-CUST	SIZE A

THIS DRAWING WAS PRODUCED BY COMPUTER,  
 DO NOT SCALE DRAWING OR UPDATE MANUALLY.

5

4

3

2

1

## X-ON Electronics

Largest Supplier of Electrical and Electronic Components

*Click to view similar products for [D-Sub Backshells](#) category:*

*Click to view products by [Bel Fuse](#) manufacturer:*

Other Similar products are found below :

[M85049/6-38N](#) [M85049/86-12N03](#) [M85049/90-13P03](#) [70.350.0636.4](#) [70.350.2435.1](#) [72.350.1035.2](#) [72.352.2435.1](#) [73.359.4035.3](#) [829472-1](#)  
[PCS-E20W](#) [970-015-040R011](#) [970-025-040R011](#) [971-009-030R121](#) [971-009-040R011](#) [971-015-040R011](#) [1437013-9](#) [1484402-8](#) [156-3025-](#)  
[EX](#) [16-500800](#) [165X02659X](#) [165X03329A](#) [165X03399A](#) [165X10259X](#) [165X11759X](#) [165X11889X](#) [165X13019X](#) [165X13029X](#)  
[165X13169X](#) [165X13199X](#) [165X13239X](#) [165X13389X](#) [165X13489X](#) [165X14219X](#) [165X14449X](#) [165X17409X](#) [165X17439X](#)  
[165X17569X](#) [165X17599X](#) [165X17609X](#) [165X17889X](#) [165X17979X](#) [L171373](#) [971-025-030R121](#) [300X10989X](#) [165X02609X](#)  
[165X02639X](#) [165X02689X](#) [165X04219A](#) [165X10469X](#) [165X11279X](#)