

Fixed Length Cable Assemblies

INCHES (MILLIMETERS)
CUSTOMER DRAWINGS AVAILABLE UPON REQUEST

SMA STRAIGHT PLUG TO SMA STRAIGHT BULKHEAD JACK



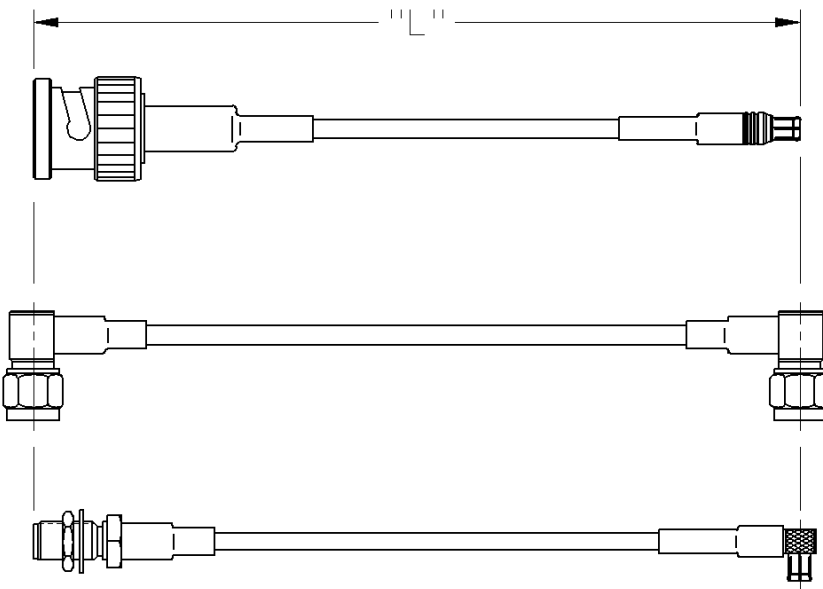
PART NUMBER	CABLE TYPE	CABLE LENGTH	CONNECTOR A	CONNECTOR B
415-0031-006	RG-316	6"	142-0403-011	142-0303-411
415-0031-012	RG-316	12"	142-0403-011	142-0303-411
415-0031-018	RG-316	18"	142-0403-011	142-0303-411
415-0031-024	RG-316	24"	142-0403-011	142-0303-411
415-0031-036	RG-316	36"	142-0403-011	142-0303-411
415-0031-048	RG-316	48"	142-0403-011	142-0303-411
415-0035-006	RG-316 DS	6"	142-0404-011	142-0304-411
415-0035-012	RG-316 DS	12"	142-0404-011	142-0304-411
415-0035-018	RG-316 DS	18"	142-0404-011	142-0304-411
415-0035-024	RG-316 DS	24"	142-0404-011	142-0304-411
415-0035-036	RG-316 DS	36"	142-0404-011	142-0304-411

PART NUMBER	CABLE TYPE	CABLE LENGTH	CONNECTOR A	CONNECTOR B
415-0035-048	RG-316 DS	48"	142-0404-011	142-0304-411
415-0040-012	RG-58	12"	142-0407-011	142-0307-411
415-0040-024	RG-58	24"	142-0407-011	142-0307-411
415-0040-036	RG-58	36"	142-0407-011	142-0307-411
415-0040-048	RG-58	48"	142-0407-011	142-0307-411
415-0040-060	RG-58	60"	142-0407-011	142-0307-411
415-0045-012	RG-142	12"	142-0408-011	142-0308-411
415-0045-024	RG-142	24"	142-0408-011	142-0308-411
415-0045-036	RG-142	36"	142-0408-011	142-0308-411
415-0045-048	RG-142	48"	142-0408-011	142-0308-411
415-0045-060	RG-142	60"	142-0408-011	142-0308-411

Electrical Ratings

Electrical ratings of a cable assembly are determined by the limiting connector type and cable size.

Connector	Cable	Connector Impedance (Ohms)	Frequency (GHz)	Dielectric Withstanding Voltage (Vrms)	Working Voltage (Vrms)
SMA	RG-178	50	12.4	500 Vrms	170 Vrms
	RG-316	50	12.4	750 Vrms	250 Vrms
	RG-316 DS	50	12.4	750 Vrms	250 Vrms
	RG-58	50	12.4	1000 Vrms	335 Vrms
	RG-142	50	12.4	1000 Vrms	335 Vrms



Johnson Components' cable length applies to the end of straight connectors. The length is applied to the vertical centroid of right angle connectors.

The last three digits of the part number reflect the length of the cable in inches.

X-ON Electronics

Largest Supplier of Electrical and Electronic Components

Click to view similar products for [RF Cable Assemblies](#) category:

Click to view products by [Bel Fuse](#) manufacturer:

Other Similar products are found below :

[73-6352-10](#) [73-6353-3](#) [R285001001](#) [R288940004](#) [145111-05-12.00](#) [1661-C-24](#) [1801171170914KE](#) [24P104C24J1-012](#) [24P104C24P1-006](#)
[24P104C24P1-018](#) [24P204C24J1-003](#) [172-2150-EX](#) [1800920920914PJ](#) [FCB-3030-ALT](#) [21117-046](#) [21117-050](#) [PCX-24-50](#) [24P103C24P2-](#)
[003](#) [25P203C25P2-003](#) [R284008001](#) [R285001021](#) [R285426000](#) [R288940003](#) [4814-BB-24](#) [5260-72](#) [JT2N1-CL1-1F](#) [DLP-COAX1](#) [4814-K-](#)
[48](#) [115101-09-06.00](#) [CCNTN2-MM-LL335-26](#) [73-6351-25](#) [73-6352-3](#) [73-6353-25](#) [1800920920610PJ](#) [GD0BQ0BQ024.0](#) [1-3636-600-5210](#)
[TL8A-11SMA-11SMA-01500-51](#) [R284C0351060](#) [R288940009](#) [R284C0351028](#) [R288940002](#) [9702-1SL-1](#) [PT82NSMA](#) [73-6353-10](#)
[R285020301W](#) [PCX-18-50](#) [Minibend-9](#) [Minibend-4](#) [BNC TO SMA Cable](#) [MIKROE-274](#)